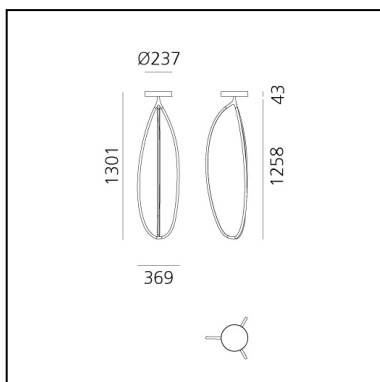


Arrival 130 ceiling - Black - APP Compatible

Ludovica+Roberto Palomba



IP20   Regulable: 



LUMINARIA

- Potencia (W): **48W**
- Flujo Luminoso (lm): **1618lm**
- CCT: **3000K**
- Efficiency: **35%**
- Efficacy: **33.71lm/W**
- CRI: **90**
- Dimmable Typology: **Push**

ESPECIFICACIONES

Arrival is a complete lamp family with dynamic, flowing shapes that sculpt light with delicate, graphic lines. Branching out from a central joint, common to all the different versions, each model has three arms that form a soft, organic geometric shape through a profile that is both light and structure. Each element has a section that leaves the aluminium profile visible from the outside while generating a light-diffusing surface inside. The resulting elements blend into spaces with a presence that is discreet yet distinctive thanks to the shape and quality of the softly diffused light. These are elegant lighting tools, perfect for use in multiple series or for combining the different versions together depending on the requirements of the installation spaces.

CÓDIGO PRODUCTO: 1555030APP

CARACTERÍSTICAS

- Código del artículo: **1555030APP**
- Color: **Black**
- Instalación: **Techo**
- Material: **Aluminium, silicone**
- Serie: **Design Collection**
- diseño: **Ludovica+Roberto Palomba**

DIMENSIONES

- Ancho: **cm 36.9**
- Altura: **cm 130.1**
- Ancho base: **cm 4.3**
- Diámetro base: **cm 23.7**

ACCESORIOS

Device for switching and controlling Artemide App products. Max N.3 inputs for external push buttons. Max 1m distance. Mains power supply required. To be installed inside flush mounting boxes or junction boxes. DV1080APP