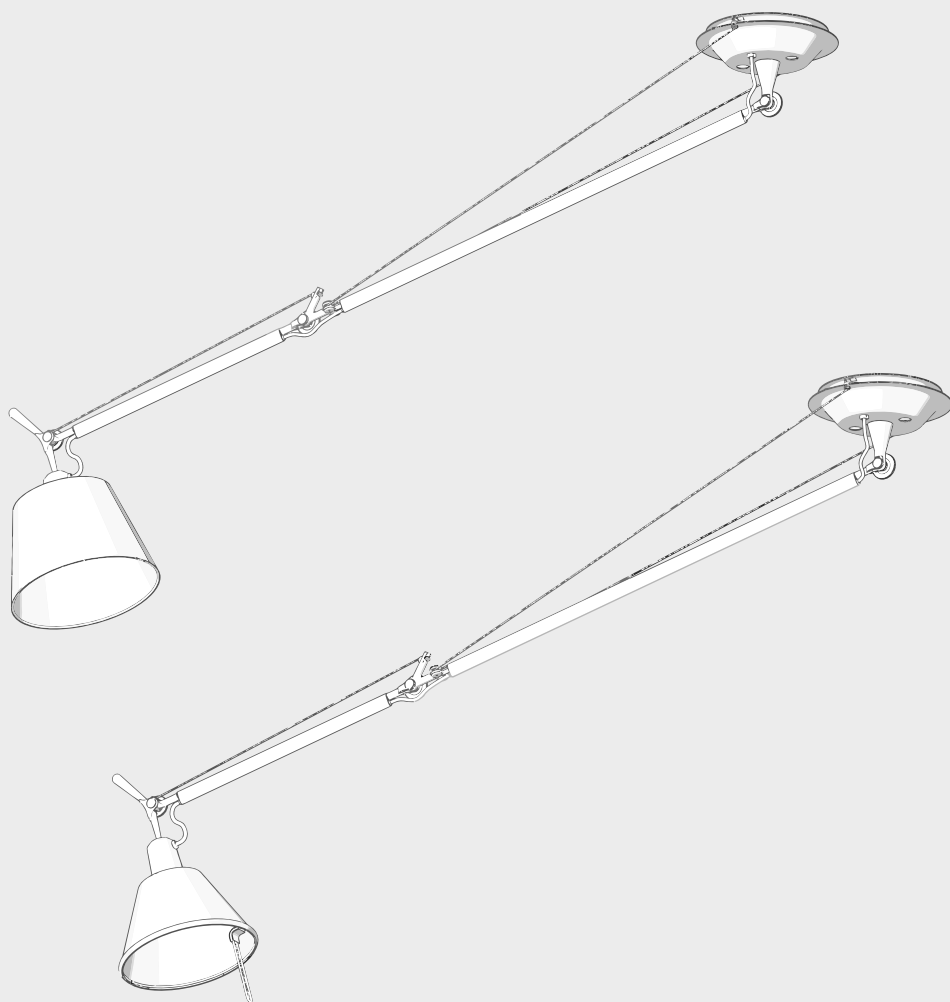


Artemide®

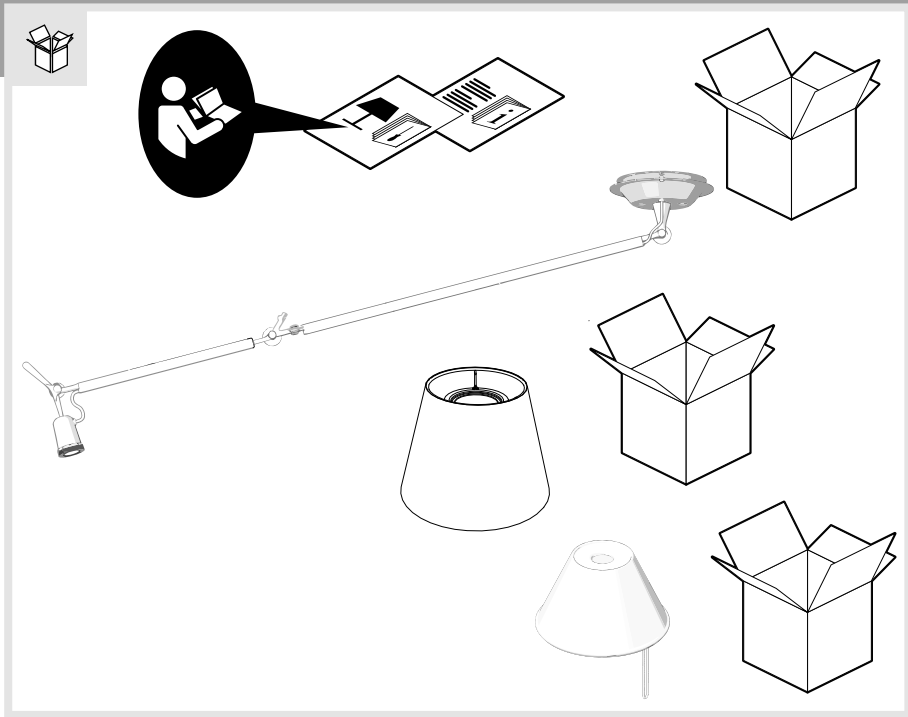
Tolomeo Sospensione Decentrata

design
M. De Lucchi
G. Fassina

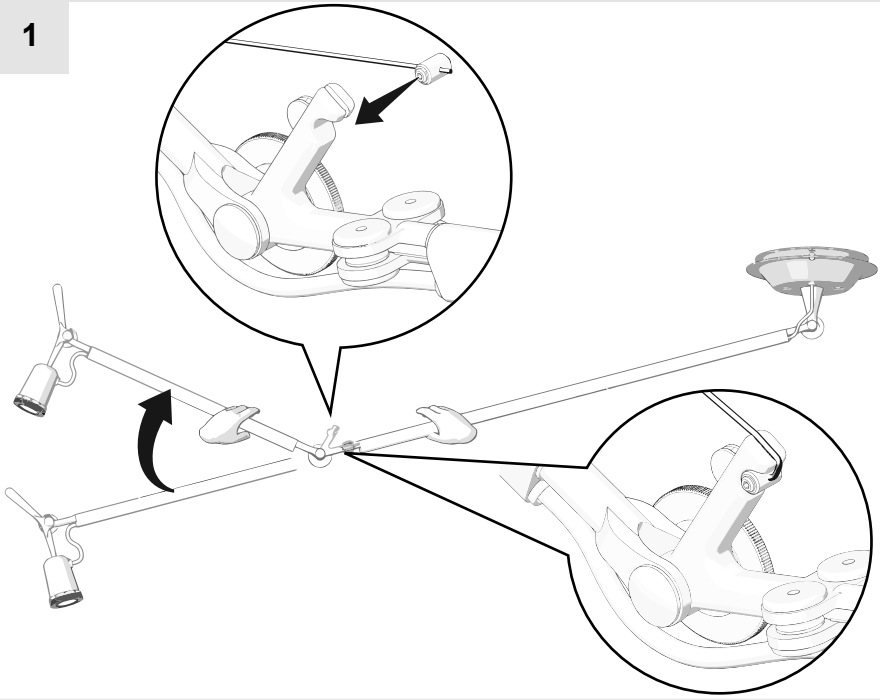




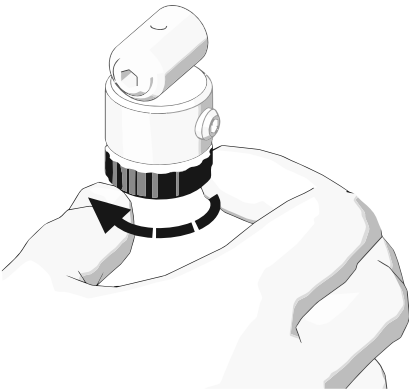
i



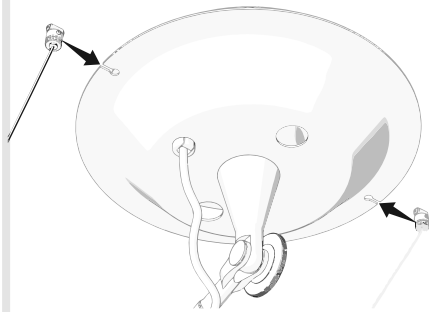
1



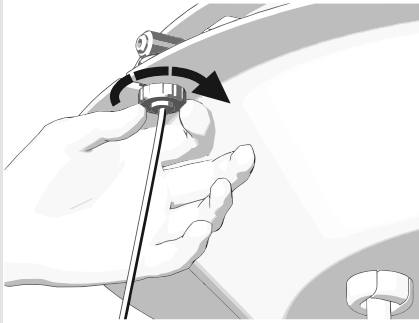
2



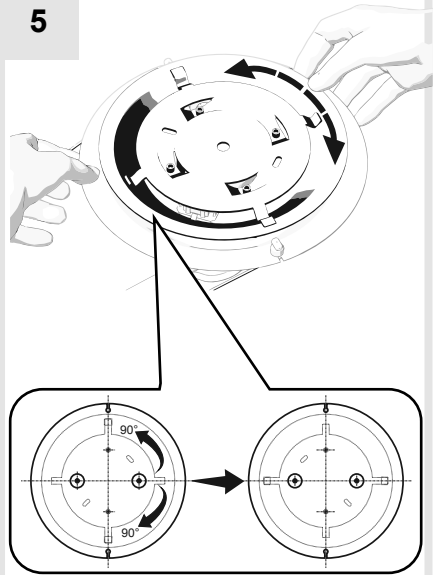
3



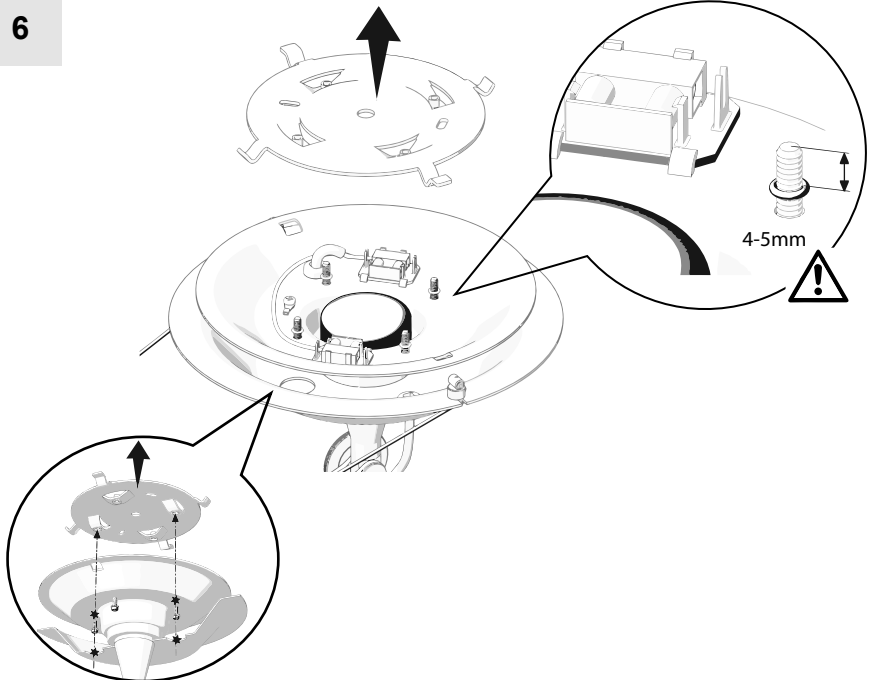
4



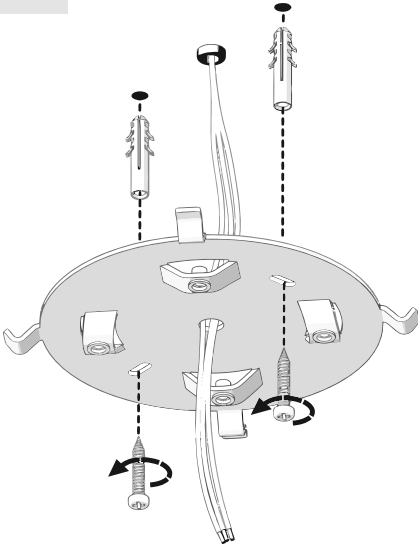
5



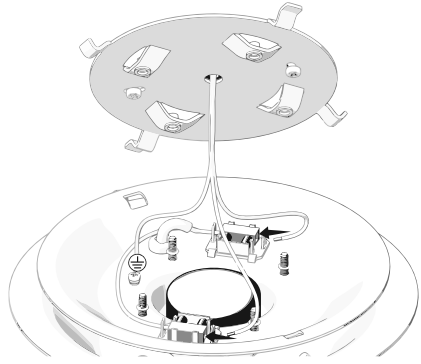
6



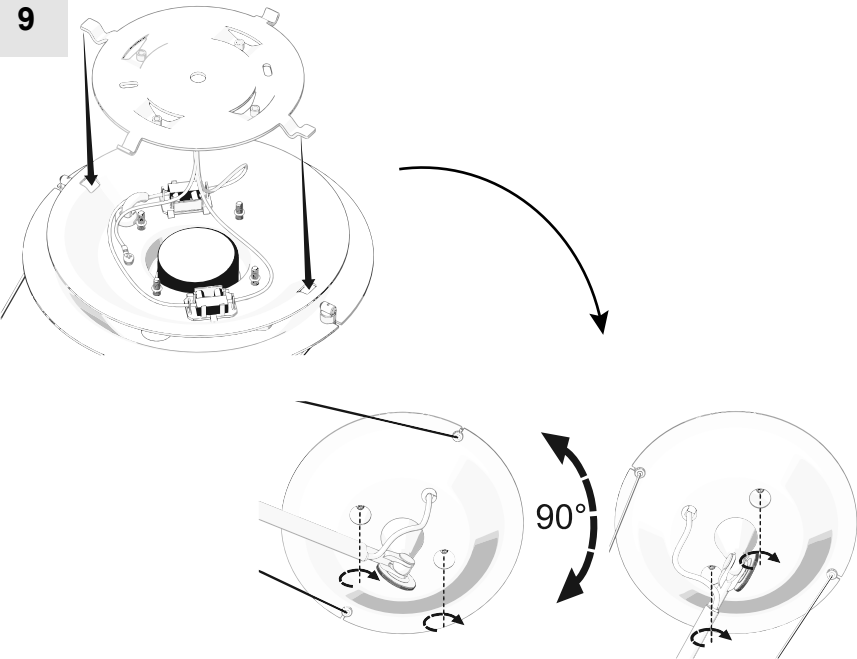
7

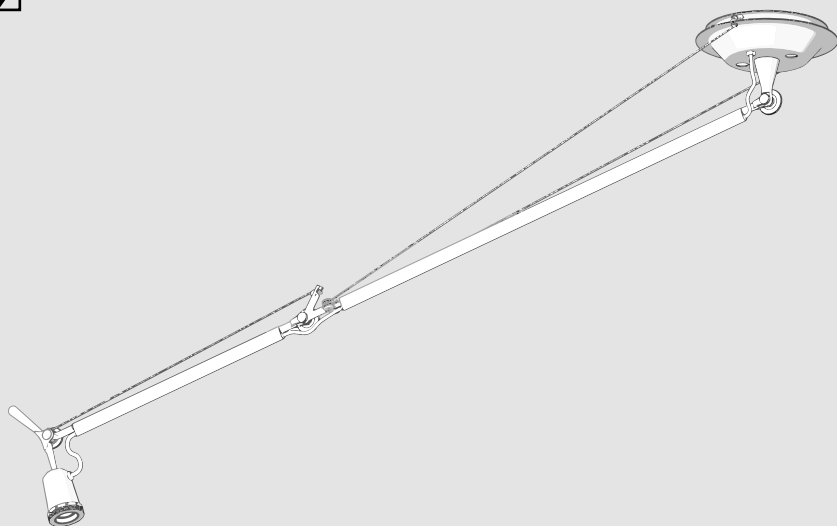


8



9

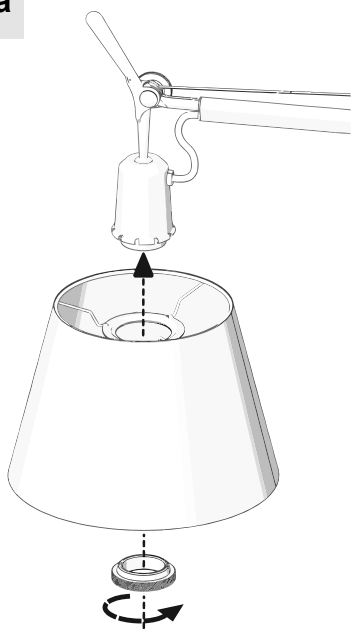




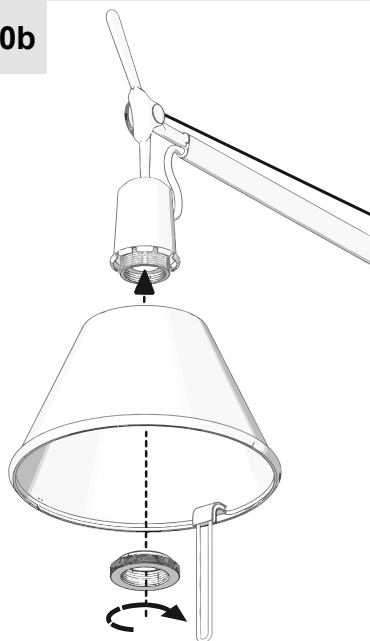
10a

10b

10a

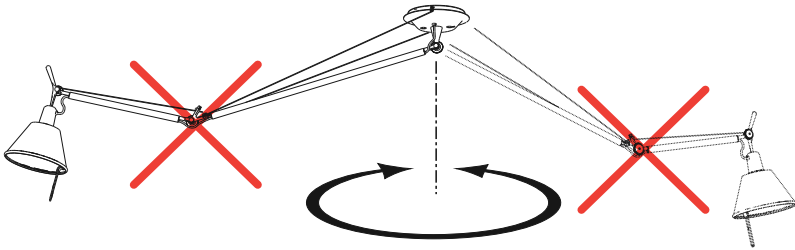
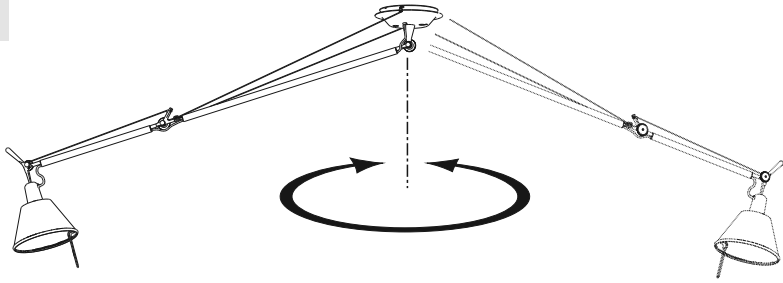


10b

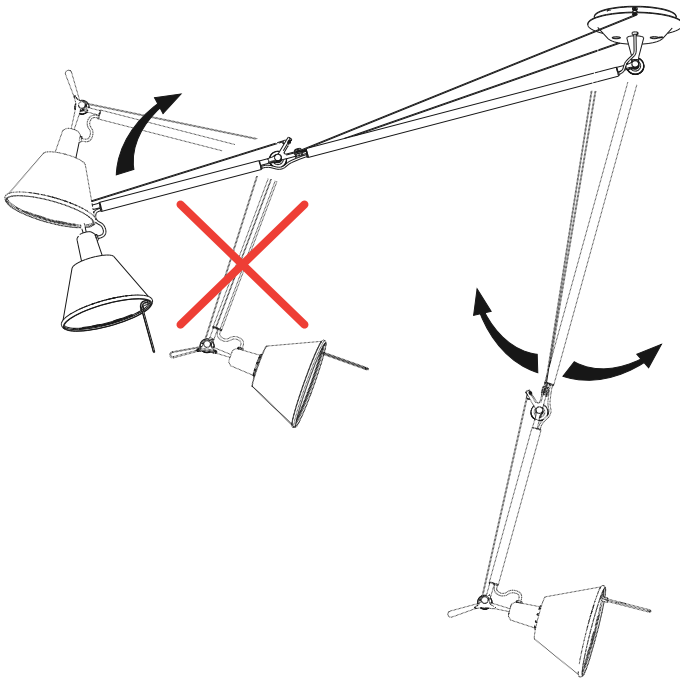




11

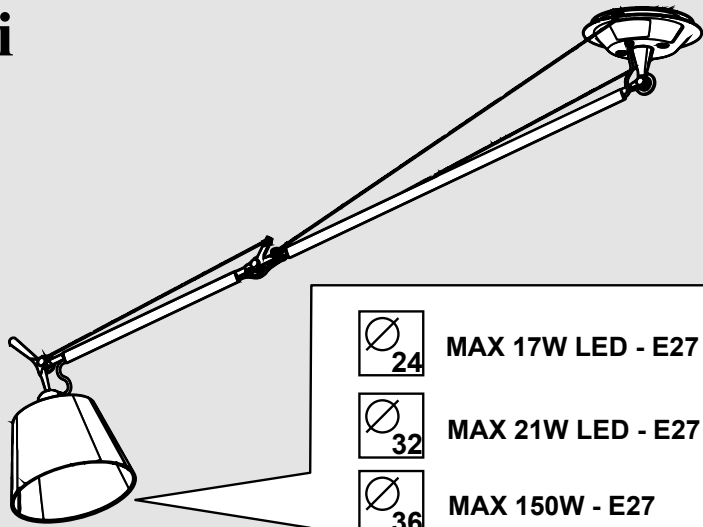


12





i



∅ 24

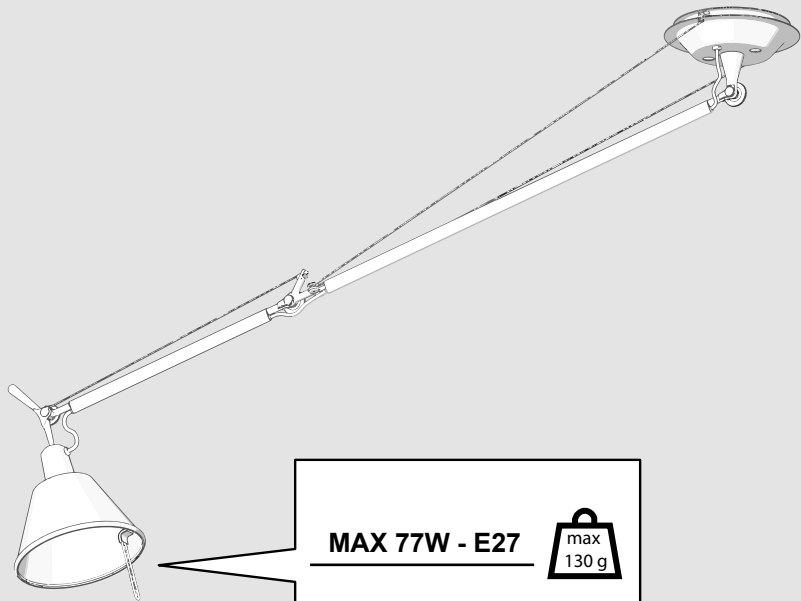
MAX 17W LED - E27

∅ 32

MAX 21W LED - E27

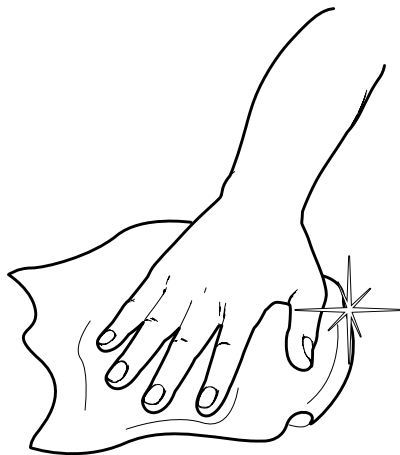
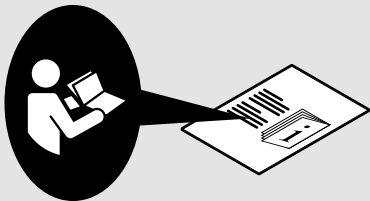
∅ 36

MAX 150W - E27

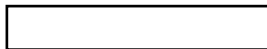


MAX 77W - E27





Artemide®



Artemide

via Bergamo, 18
20010 Pregnana M.se (MI)
ITALIA

tel. +39 02 935 181
fax +39 02 935 90 254
fax +39 02 935 90 496

www.artemide.com

VAT IT00846890150

cod. Y513001195