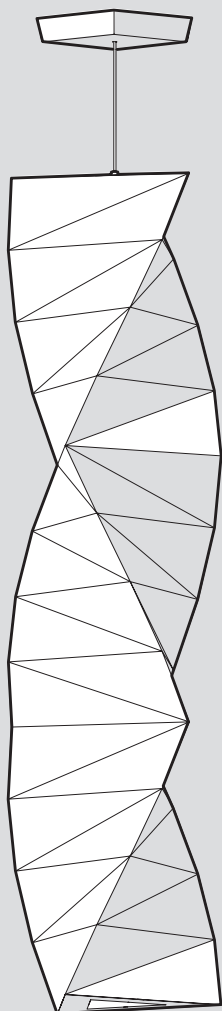


Tatsuno Otoshigo

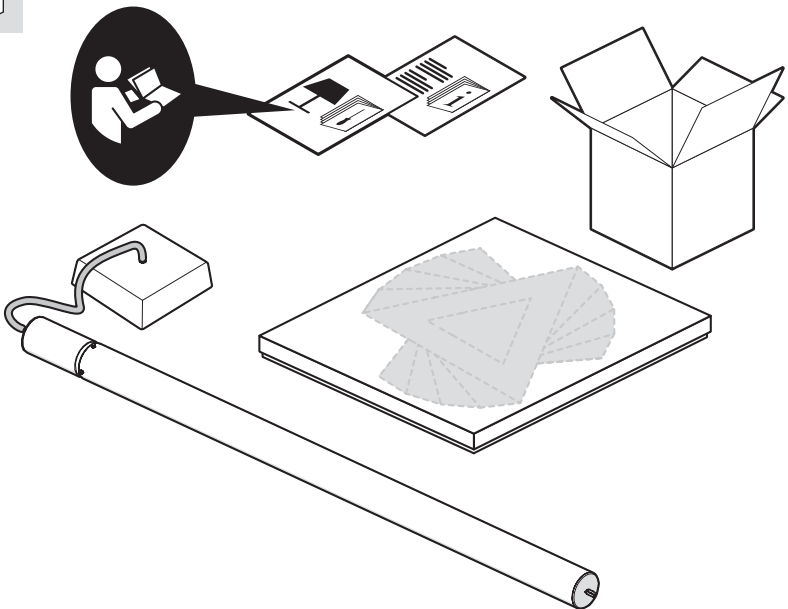
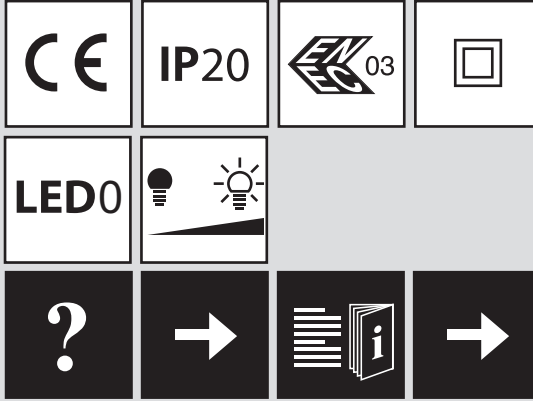
design

Issey Miyake + Reality Lab.

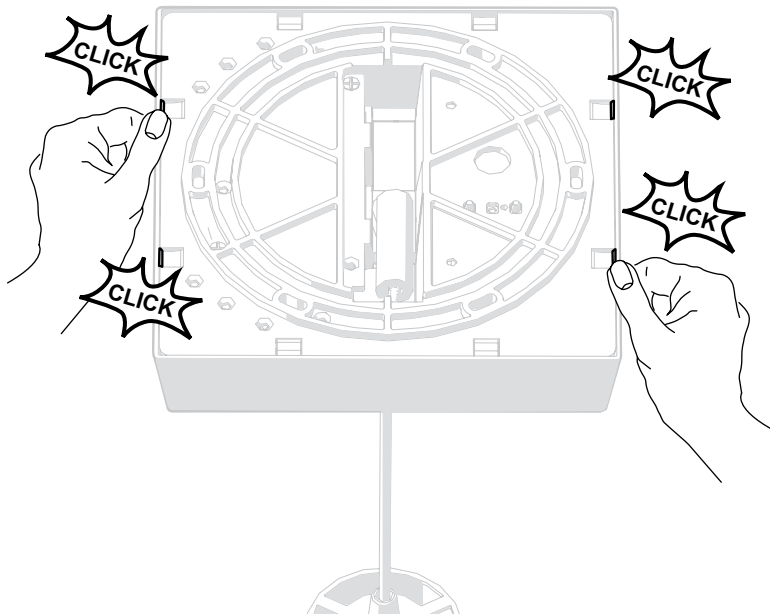




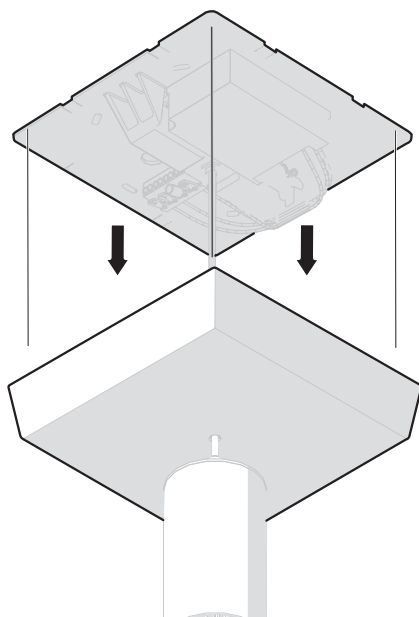
i

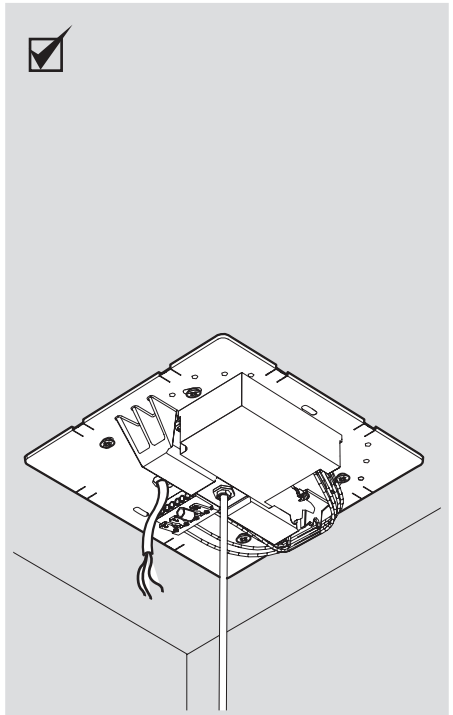
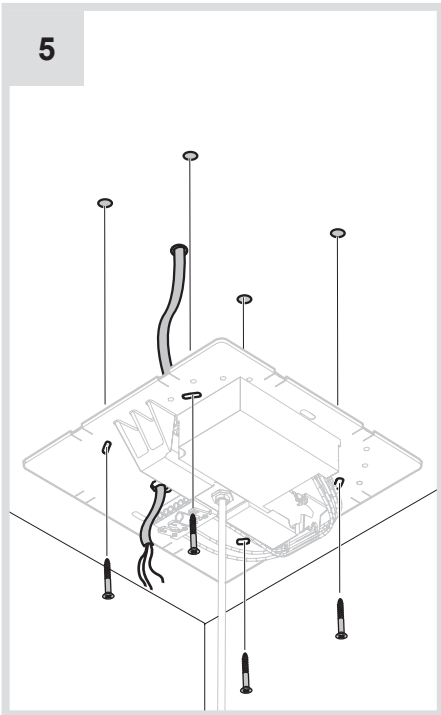
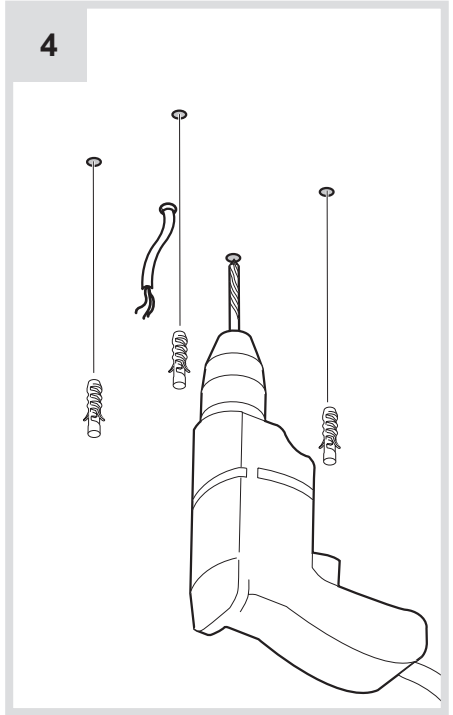
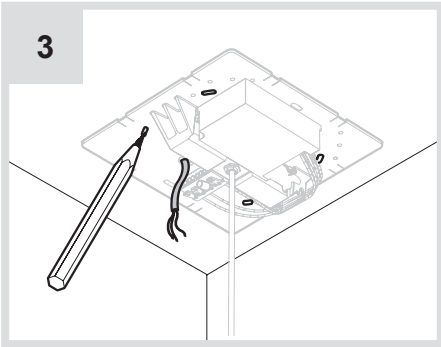
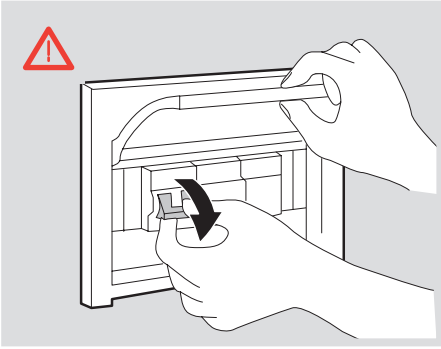


1

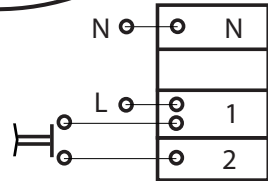
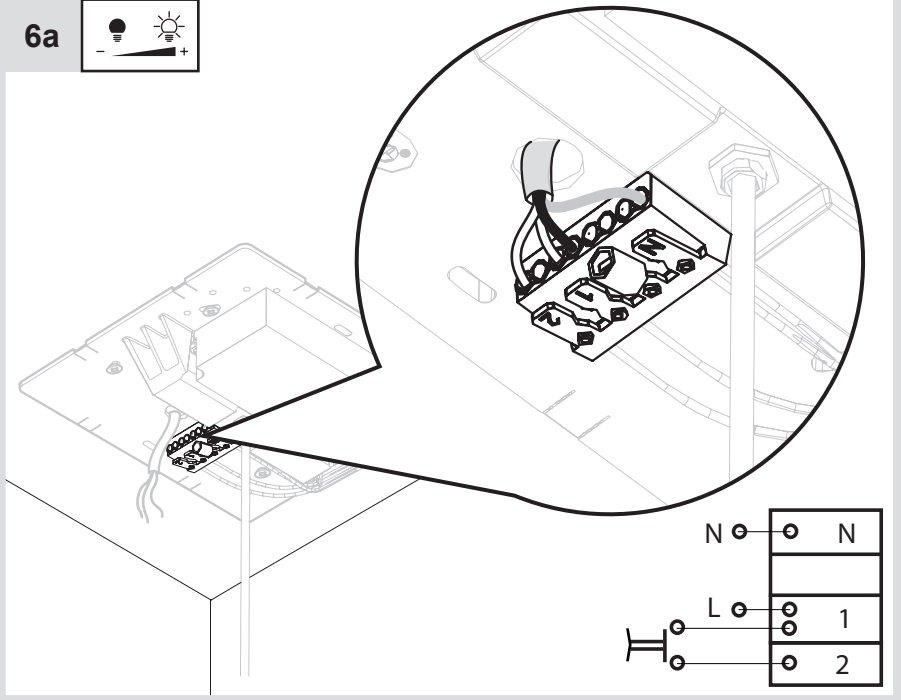


2

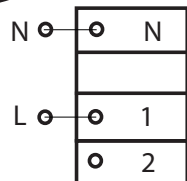
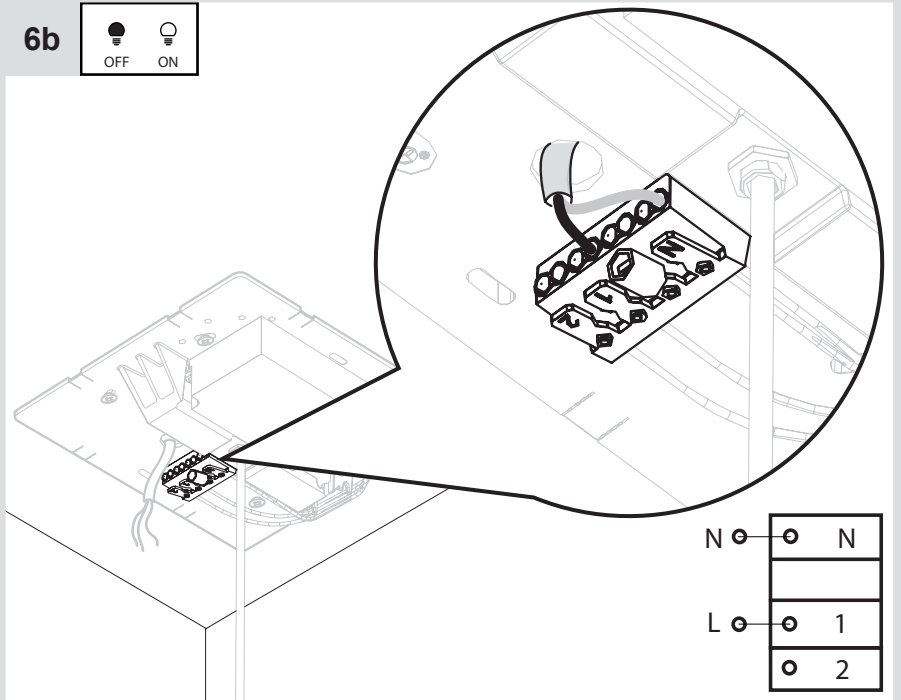




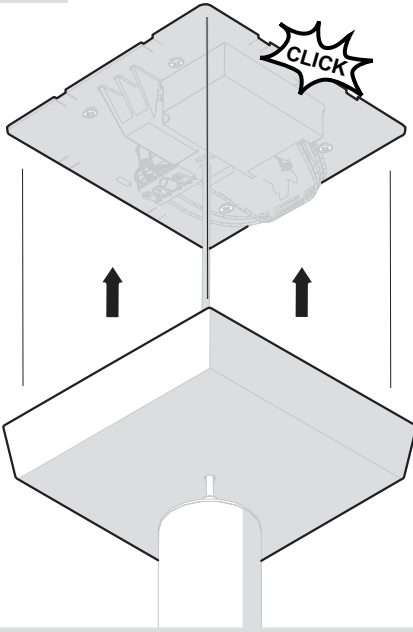
6a



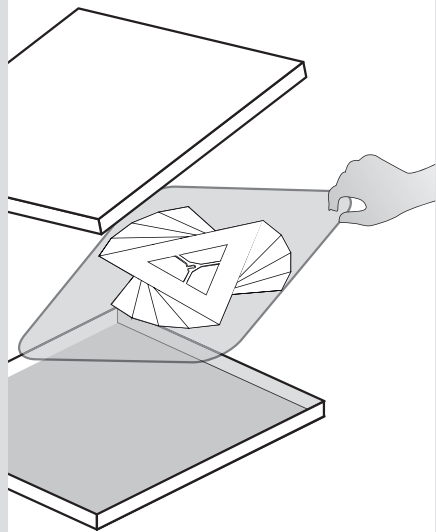
6b



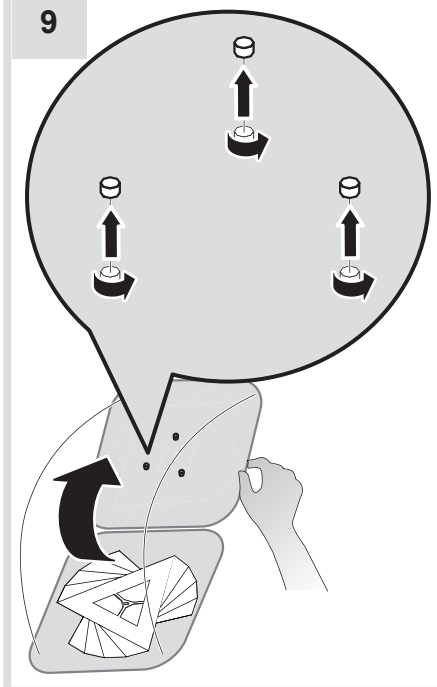
7



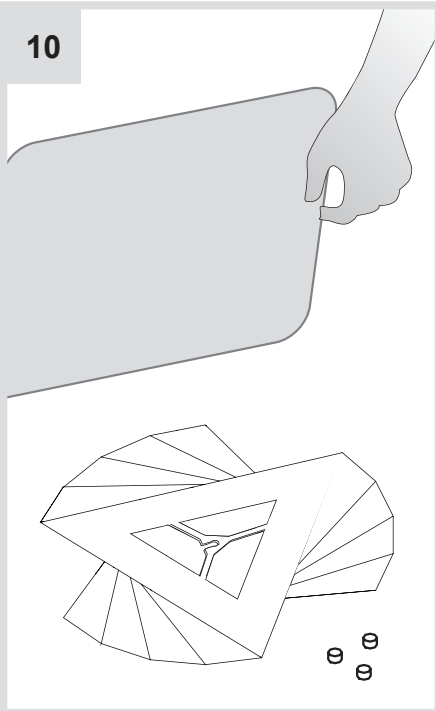
8



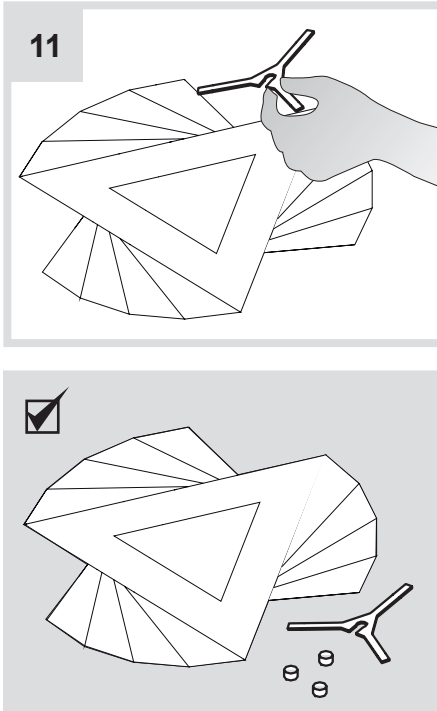
9



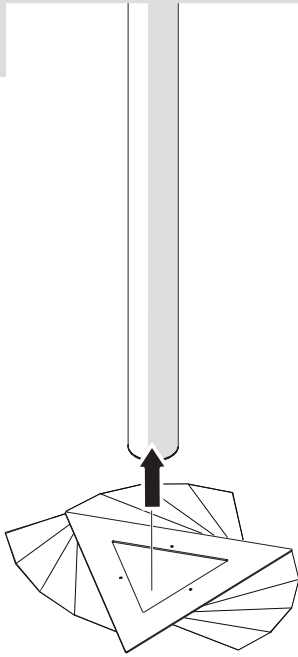
10



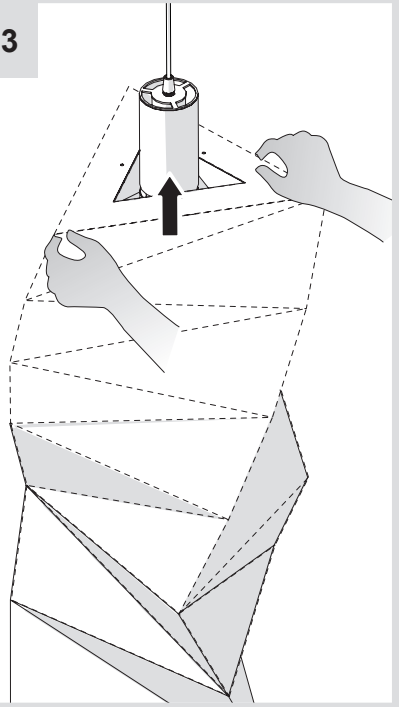
11



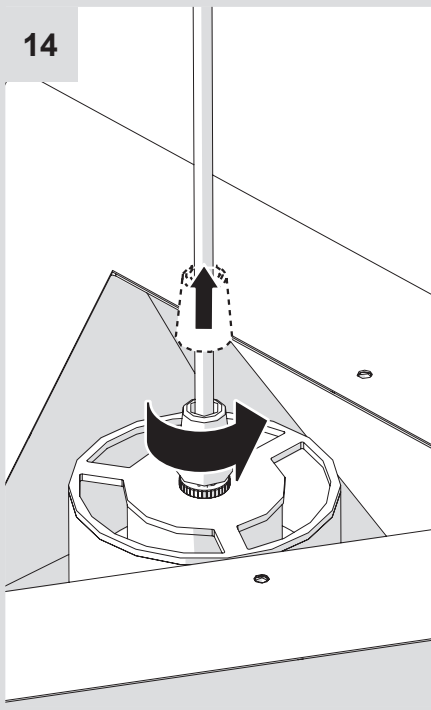
12



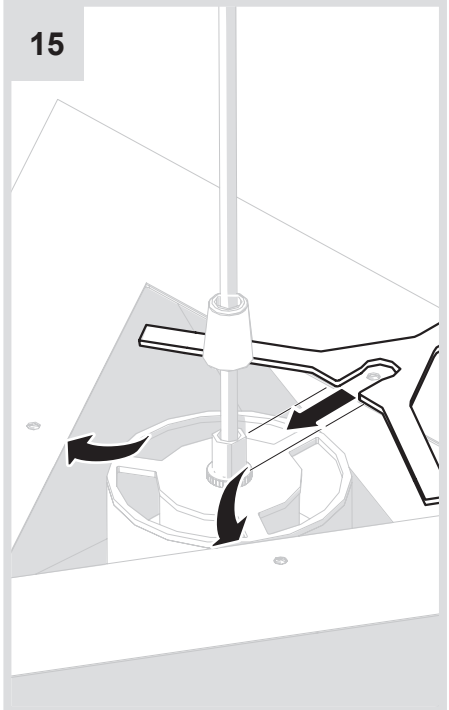
13



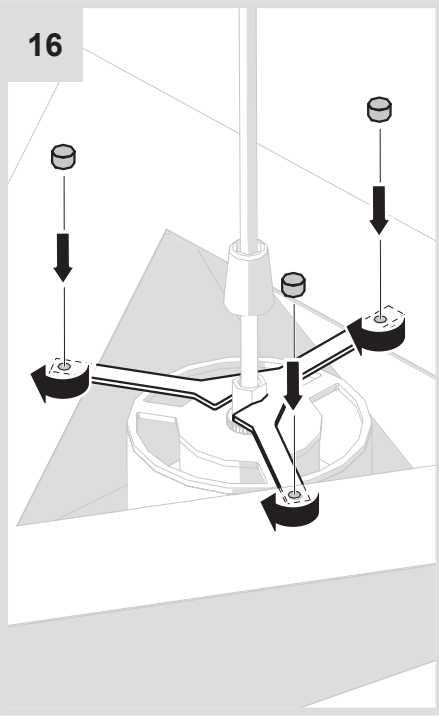
14



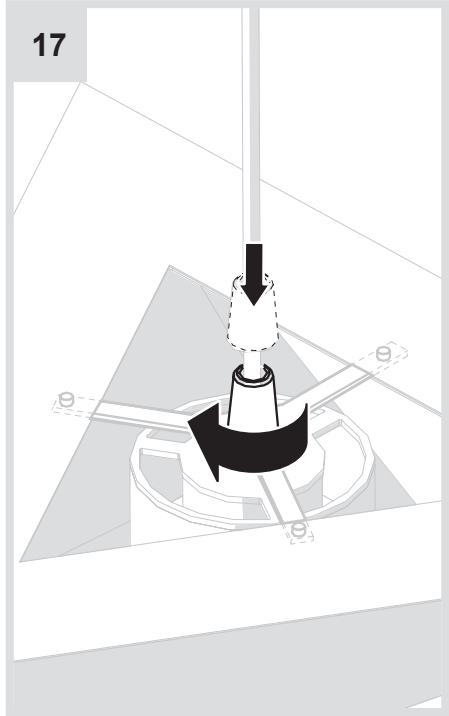
15



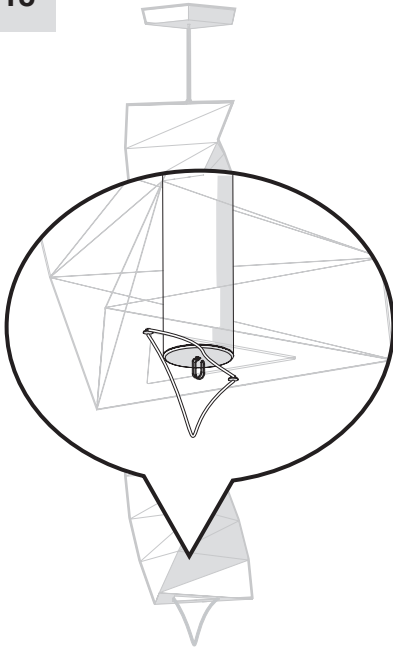
16



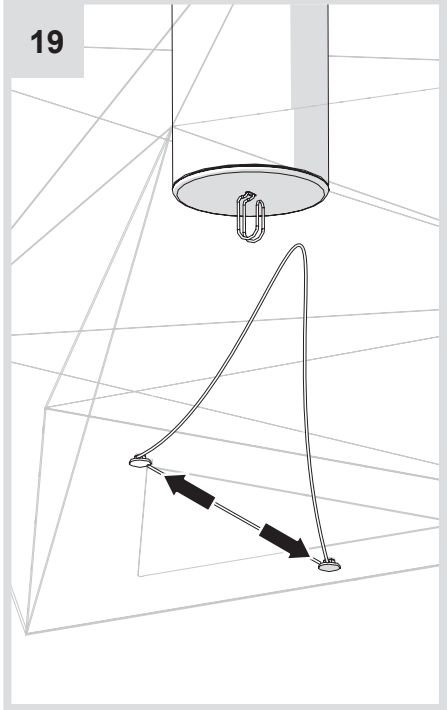
17



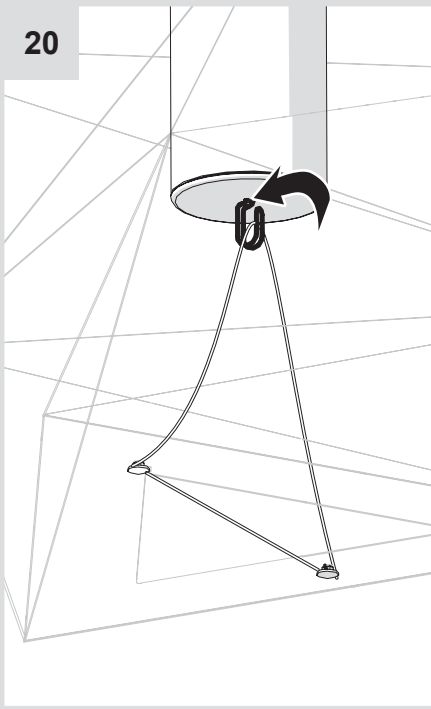
18



19



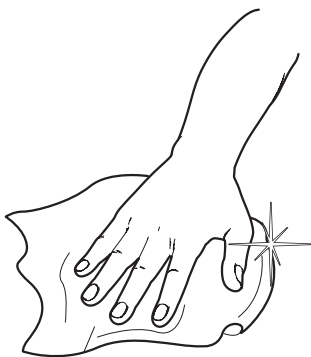
20



i



1



Artemide®



Artemide

via Bergamo, 18
20010 Pregnana M.se (MI)
ITALIA

tel. +39 02 935 181
fax +39 02 935 90 254
fax +39 02 935 90 496

www.artemide.com

VAT IT00846890150

cod. Y513000096