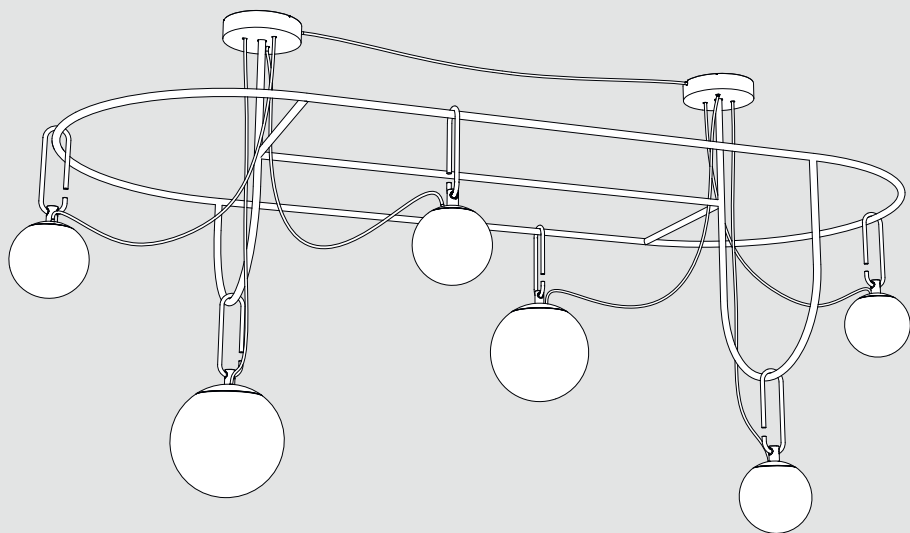


Artemide®

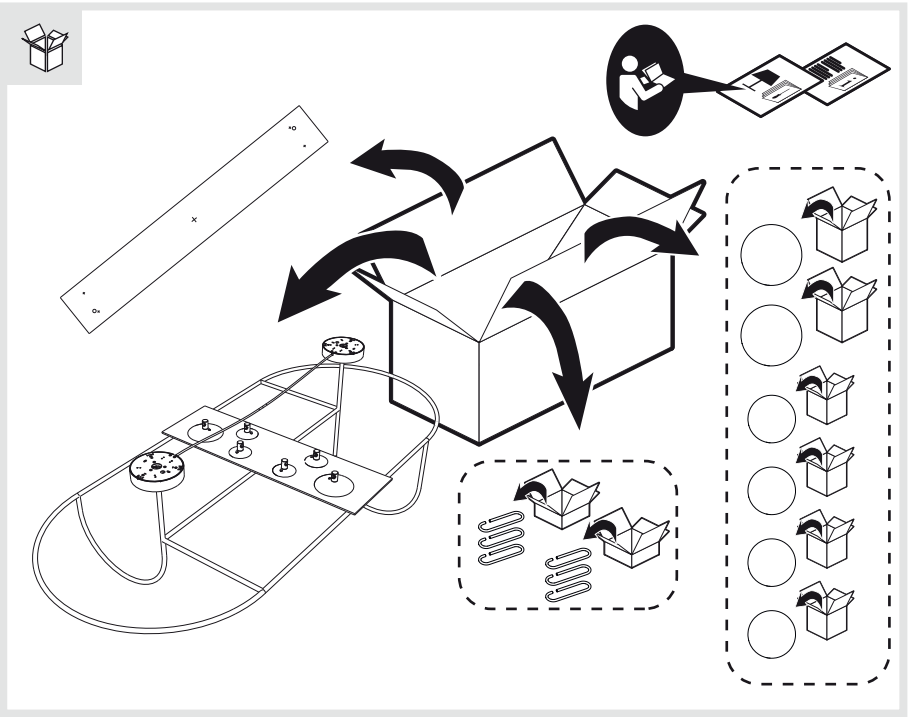
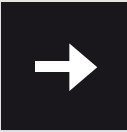
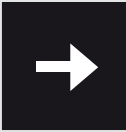
nh S5

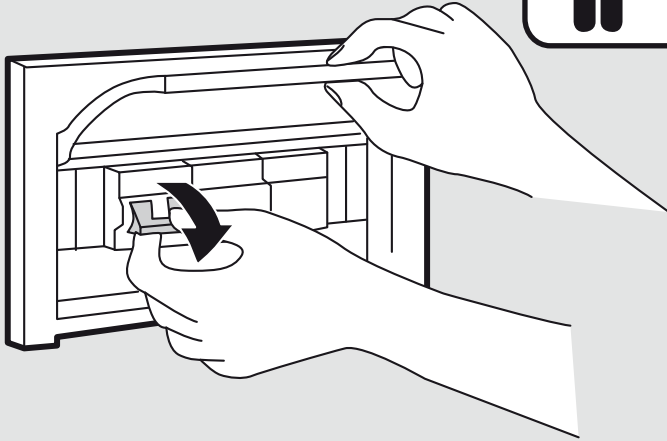
design
Neri & Hu



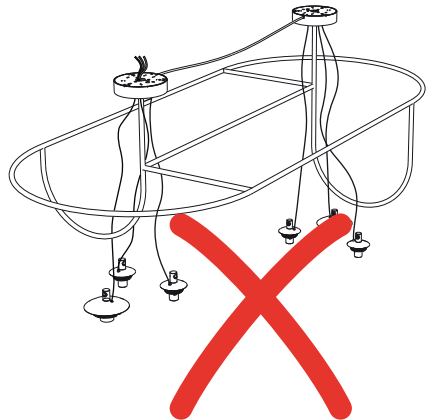
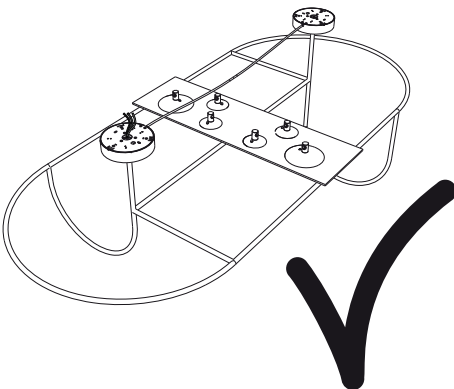


i

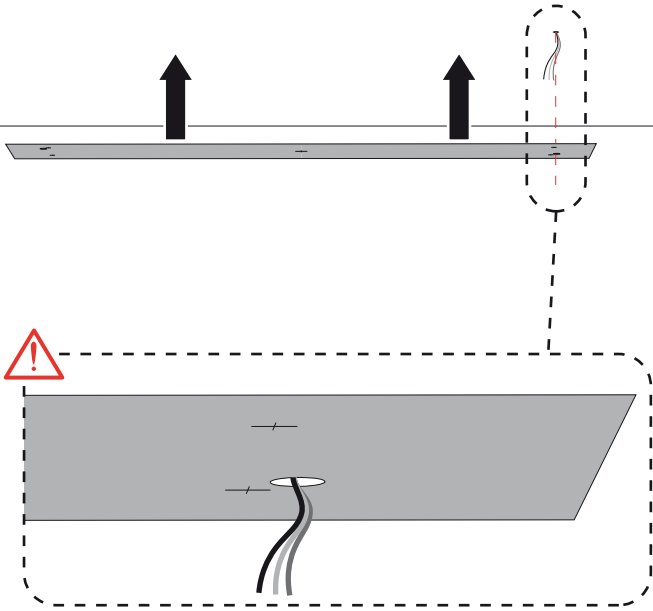




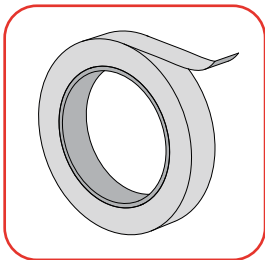
i



1



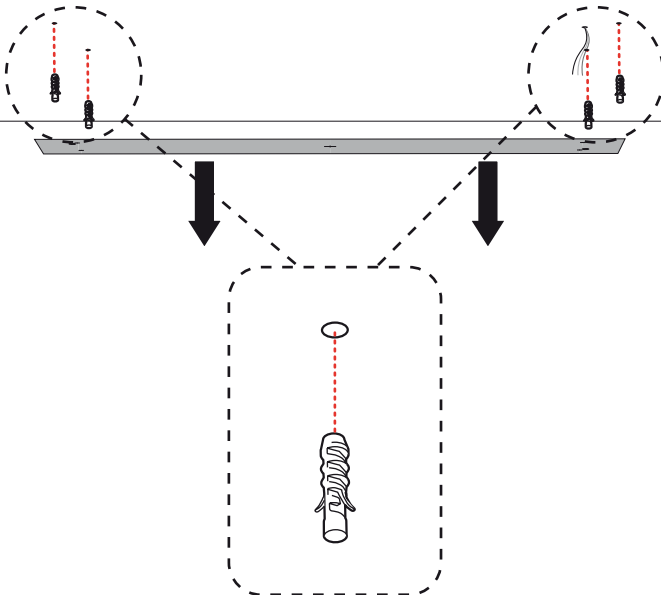
2



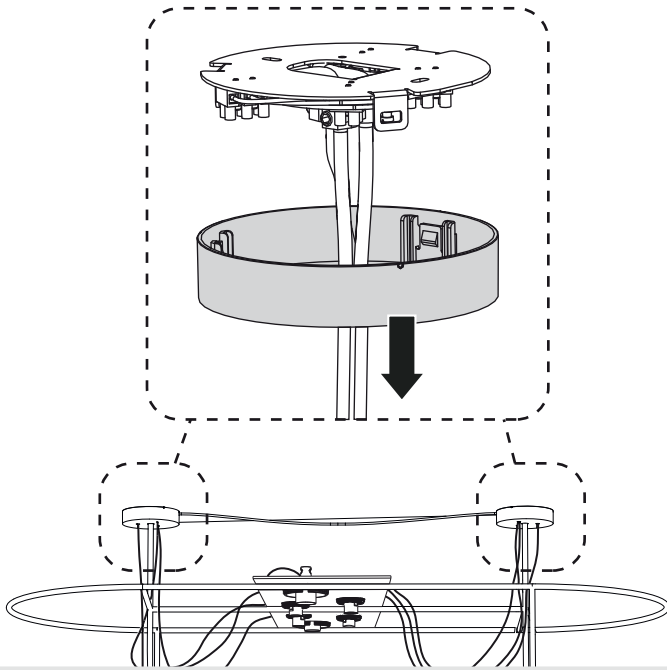
3



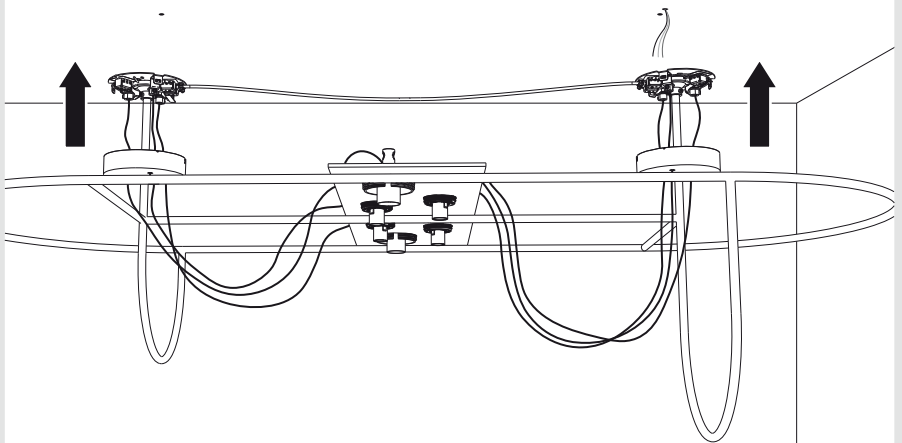
4



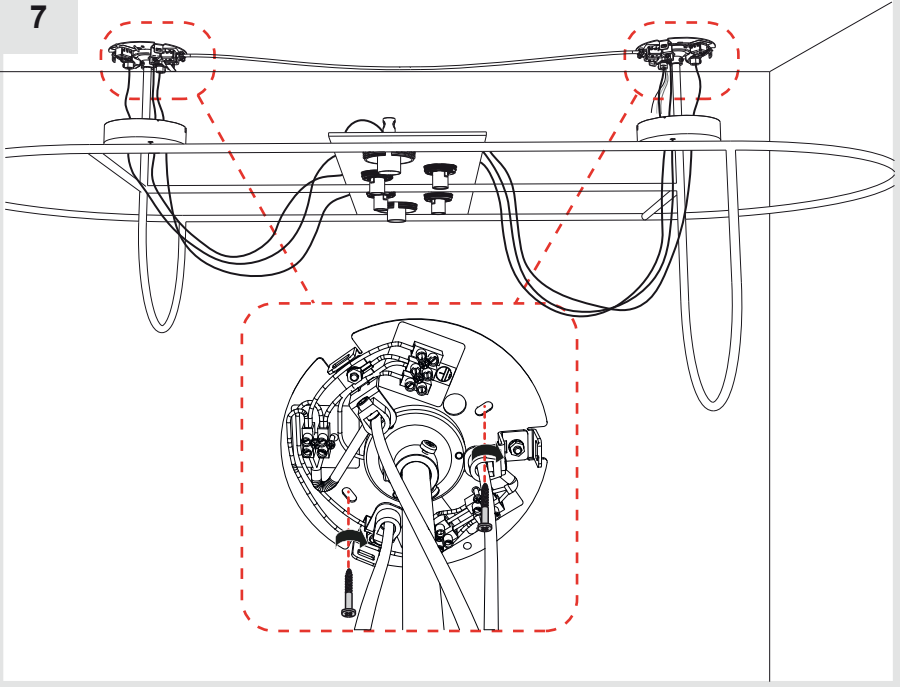
5



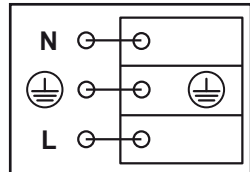
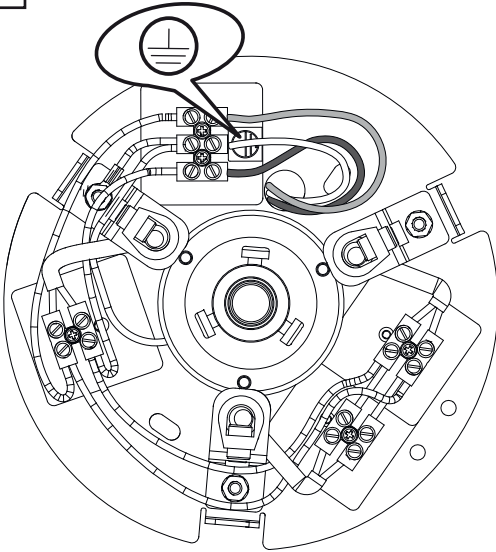
6



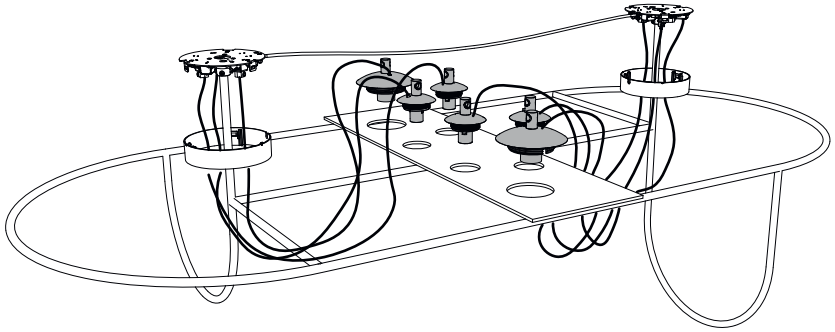
7



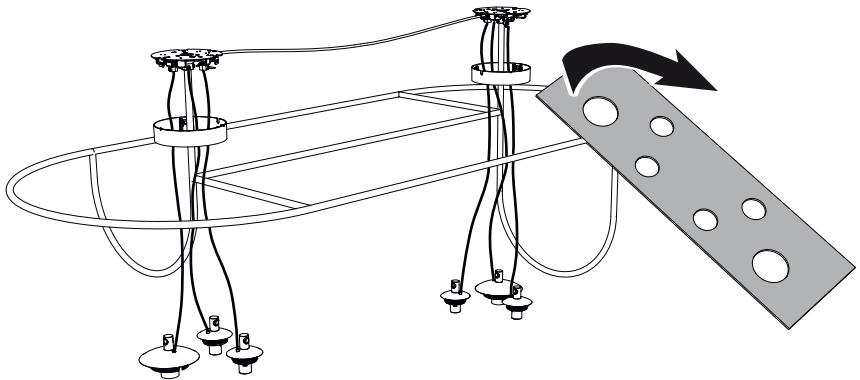
8



9



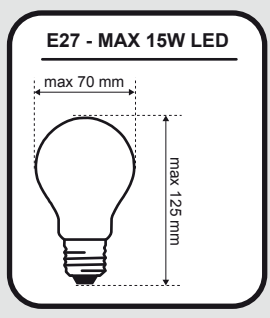
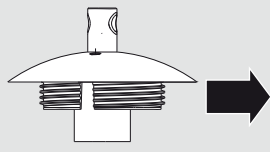
10



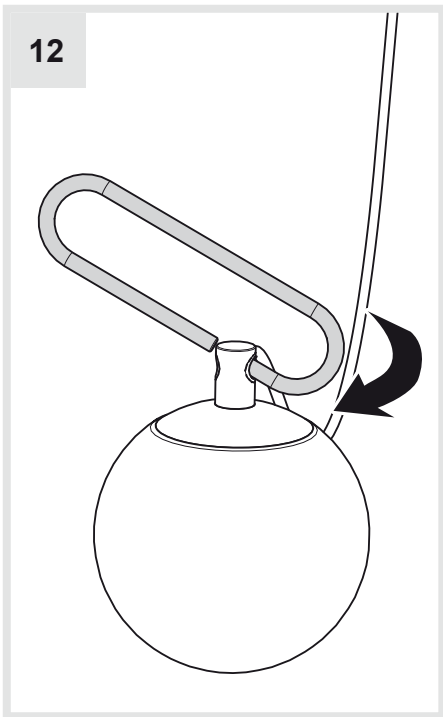
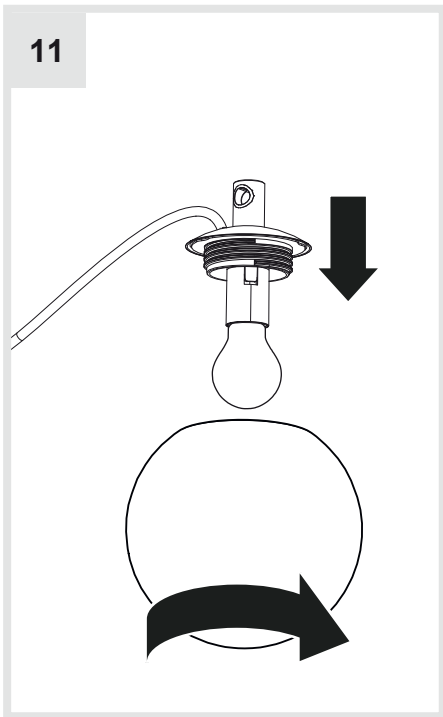
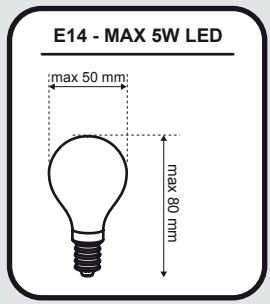
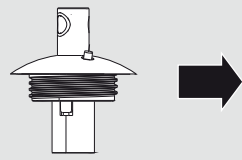


i

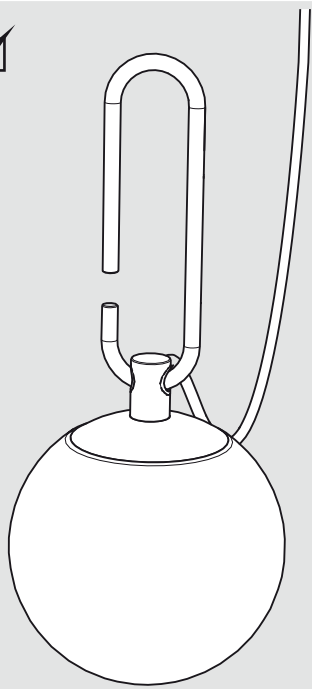
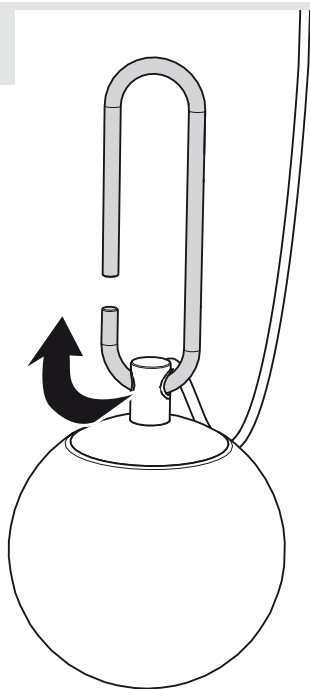
2 X



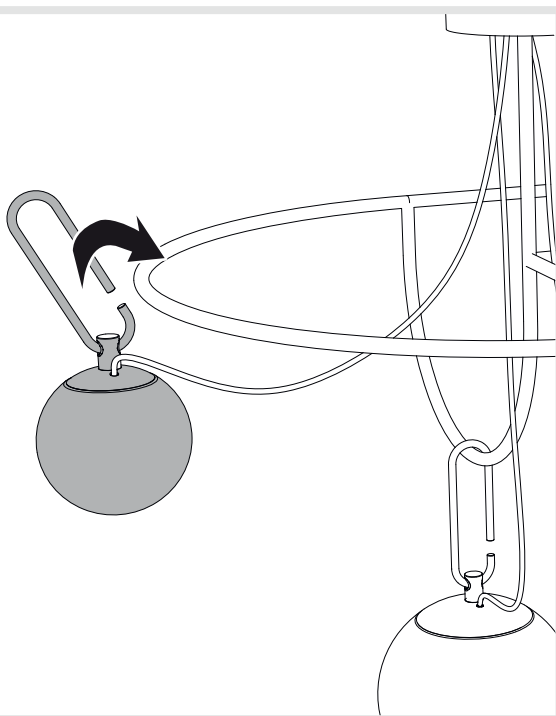
4 X

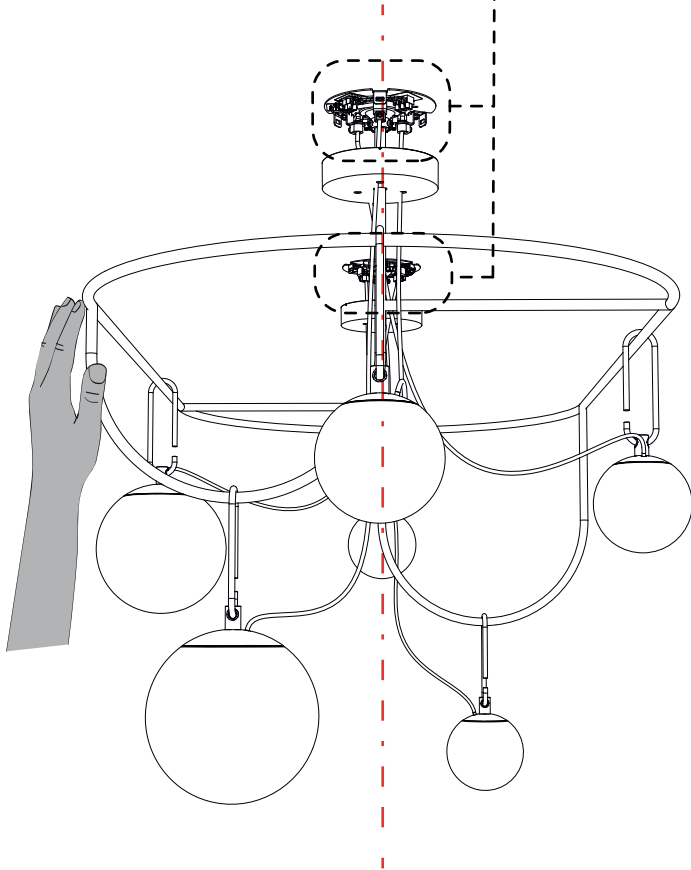
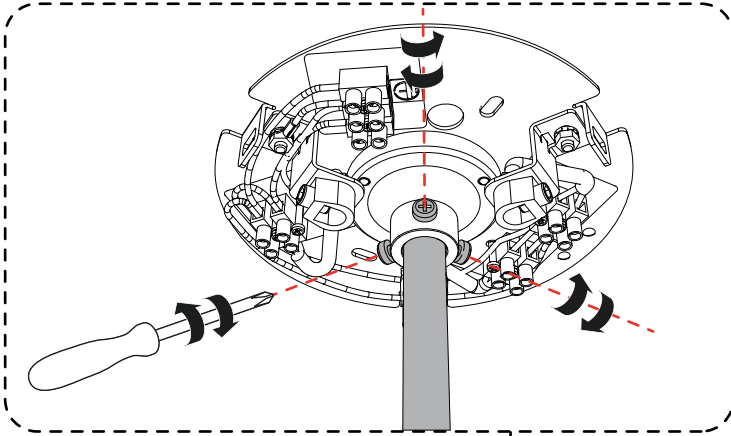


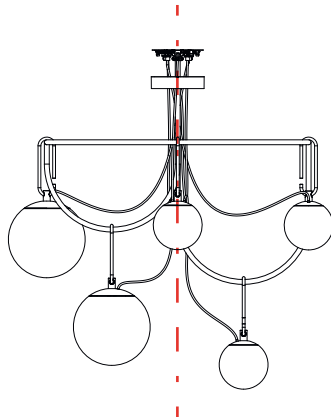
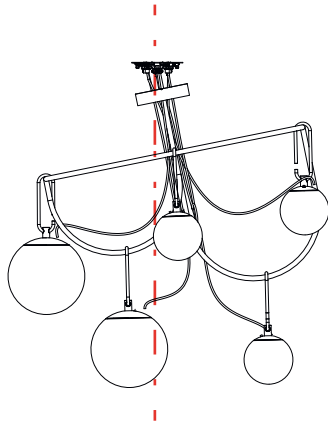
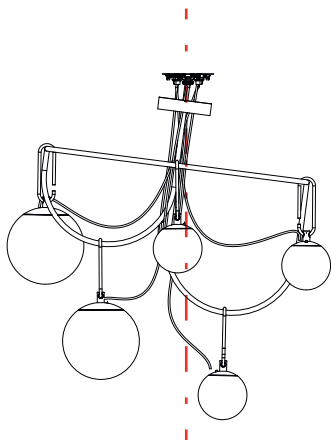
13

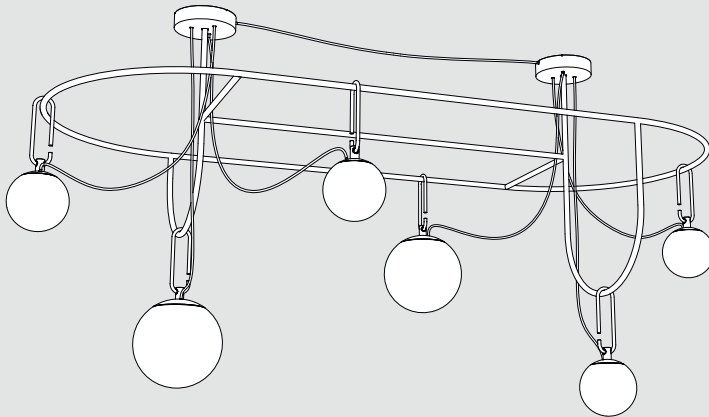
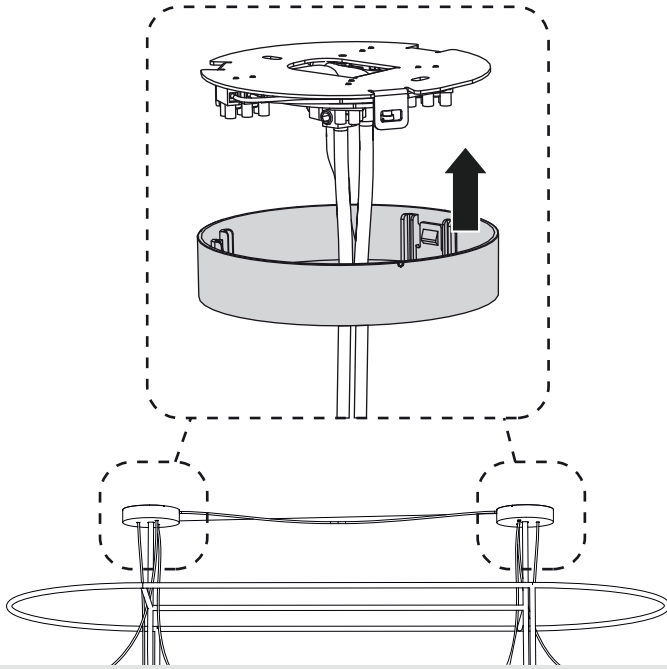


14



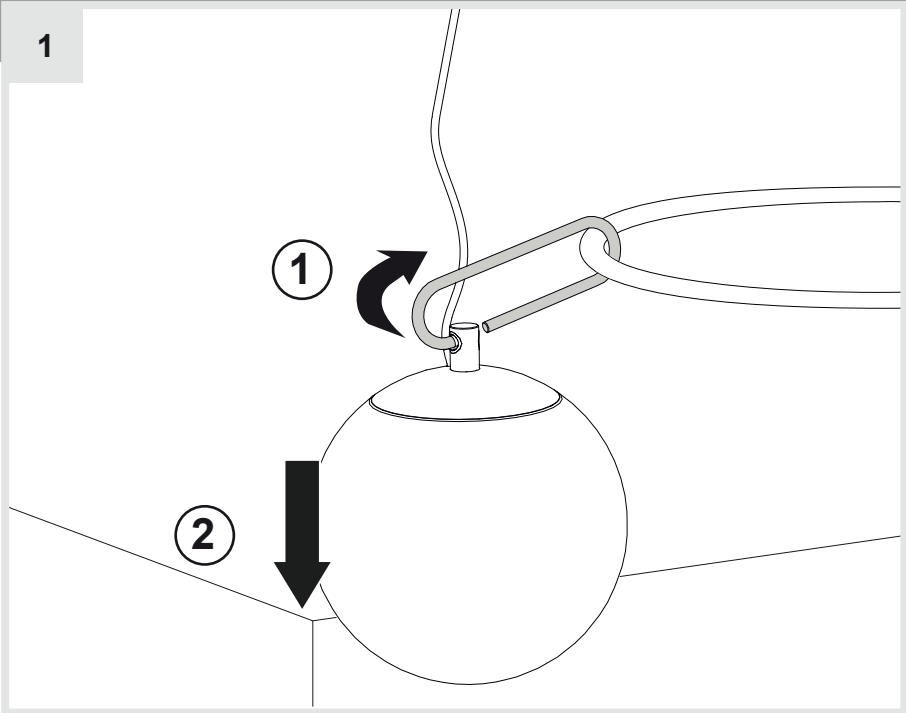




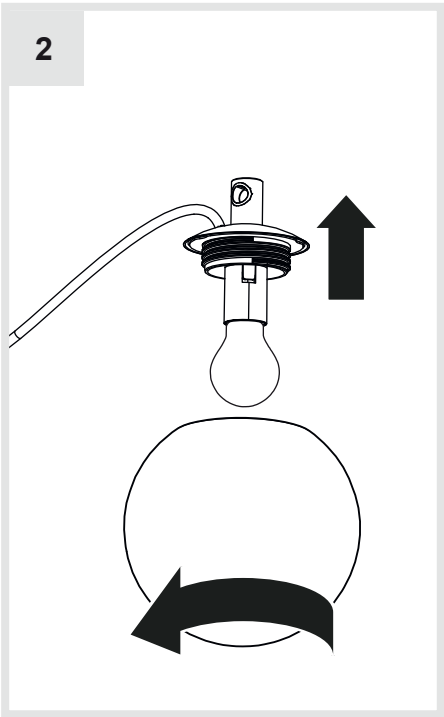




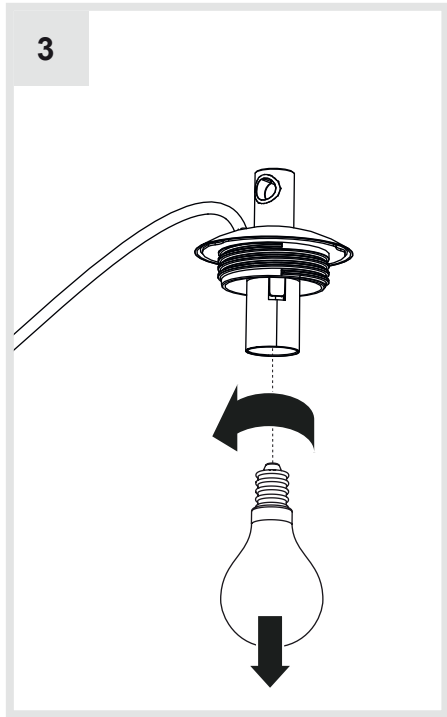
1



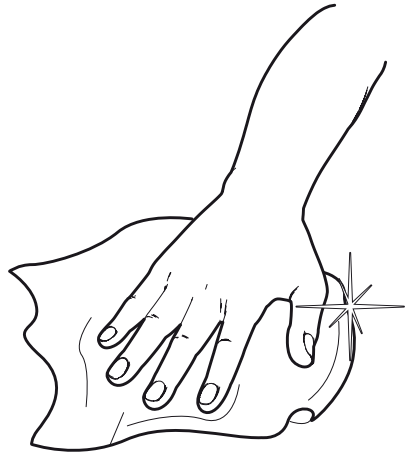
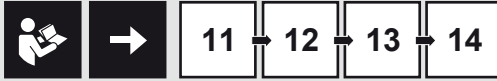
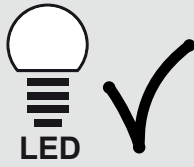
2



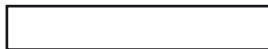
3



i



Artemide®



Artemide

via Bergamo, 18
20010 Pregnana M.se (MI)
ITALIA

tel. +39 02 935 181
fax +39 02 935 90 254
fax +39 02 935 90 496

www.artemide.com

VAT IT00846890150

cod. Y513001210A