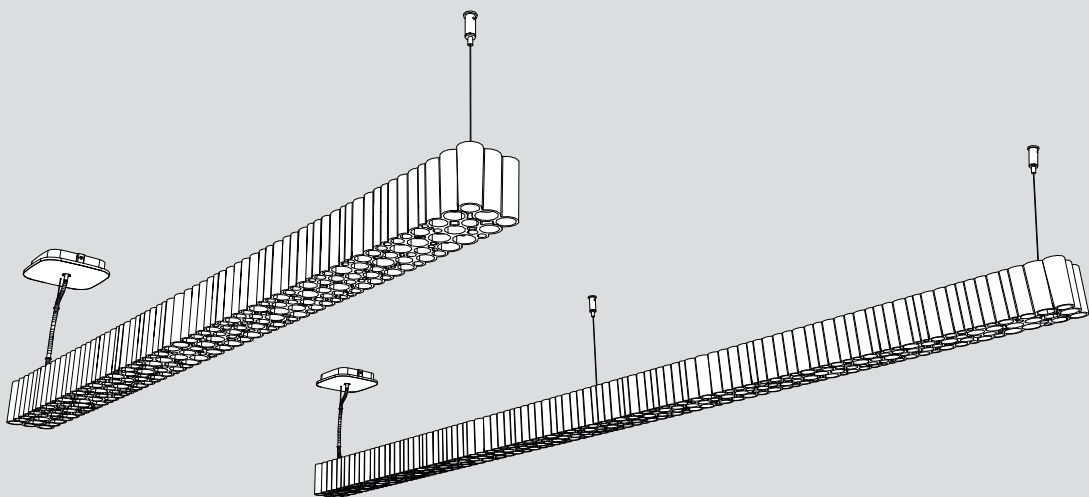


Artemide®

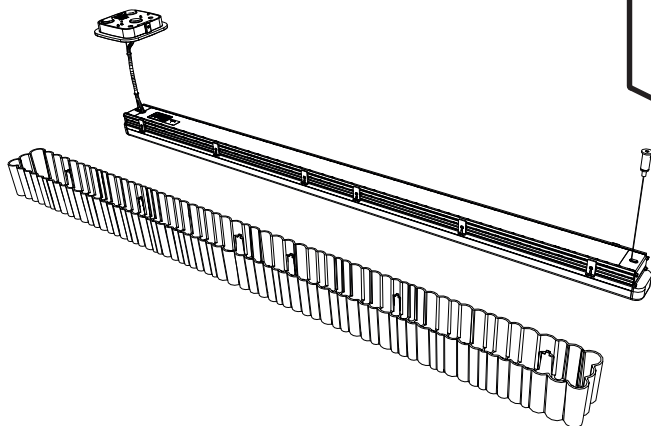
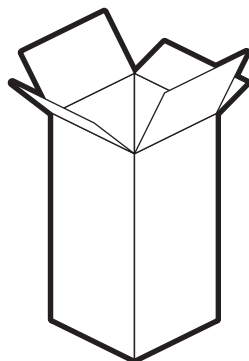
Calipso

design
Neil Poulton



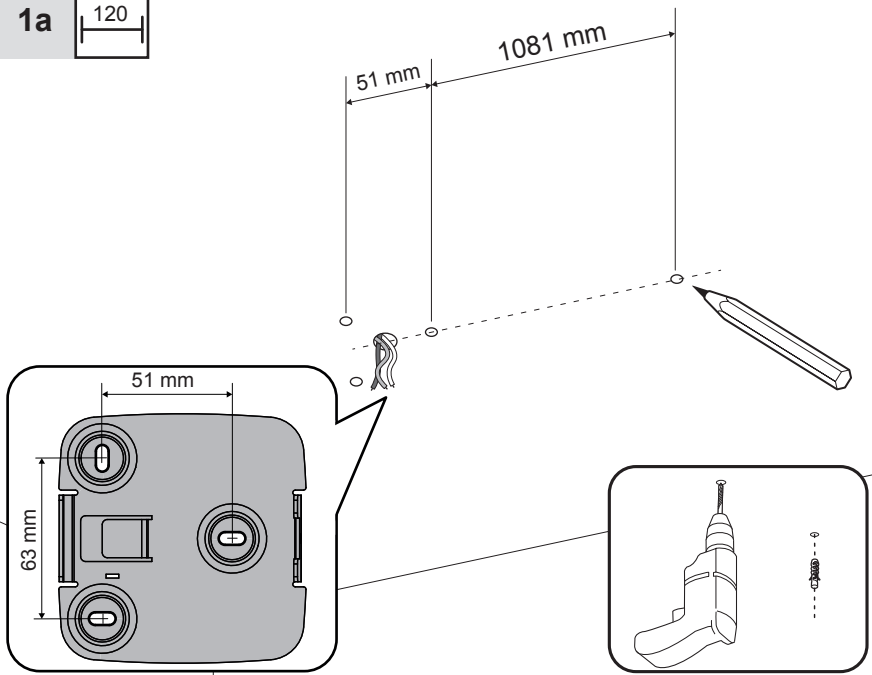


i



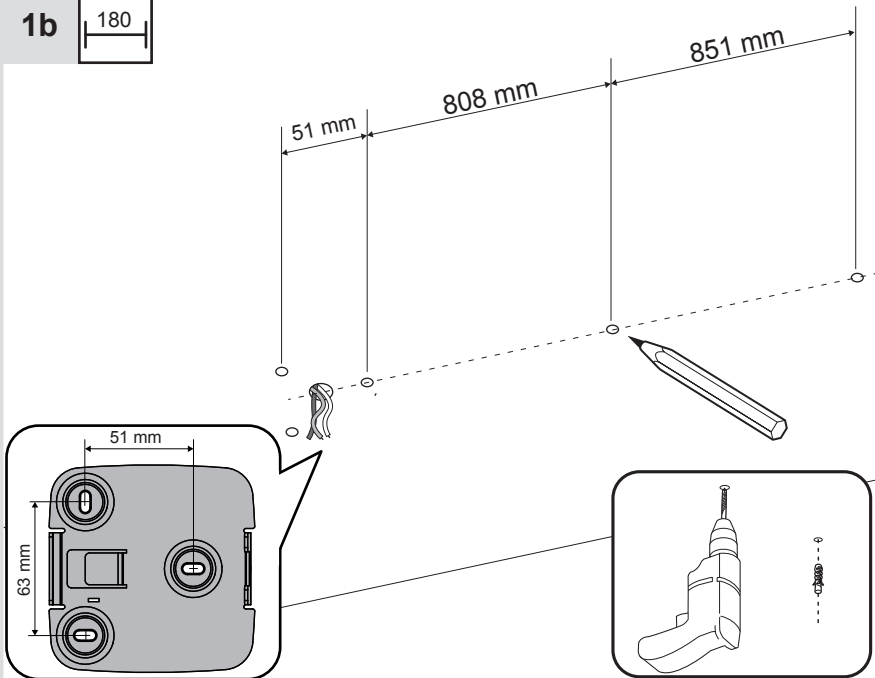
1a

120

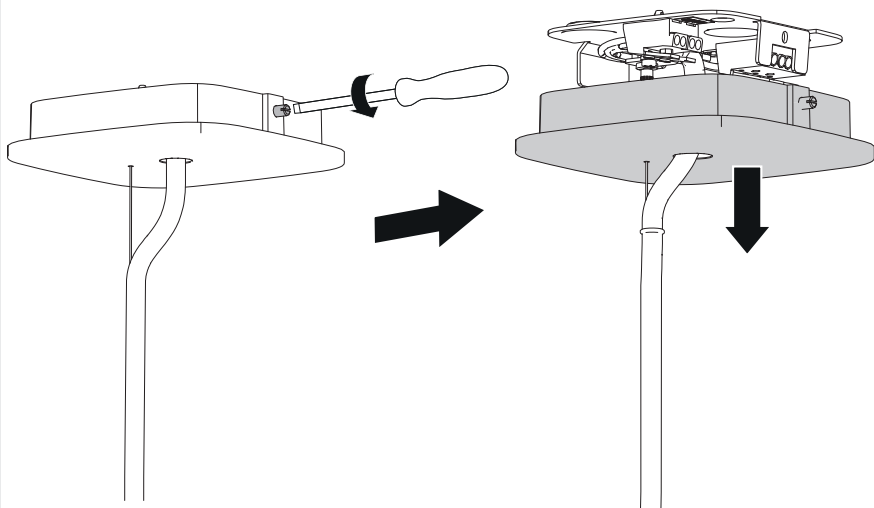


1b

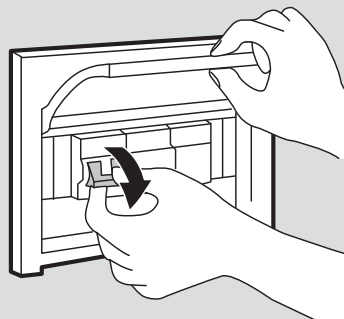
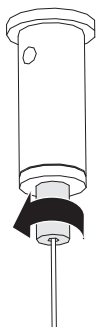
180



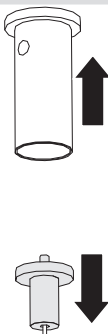
2



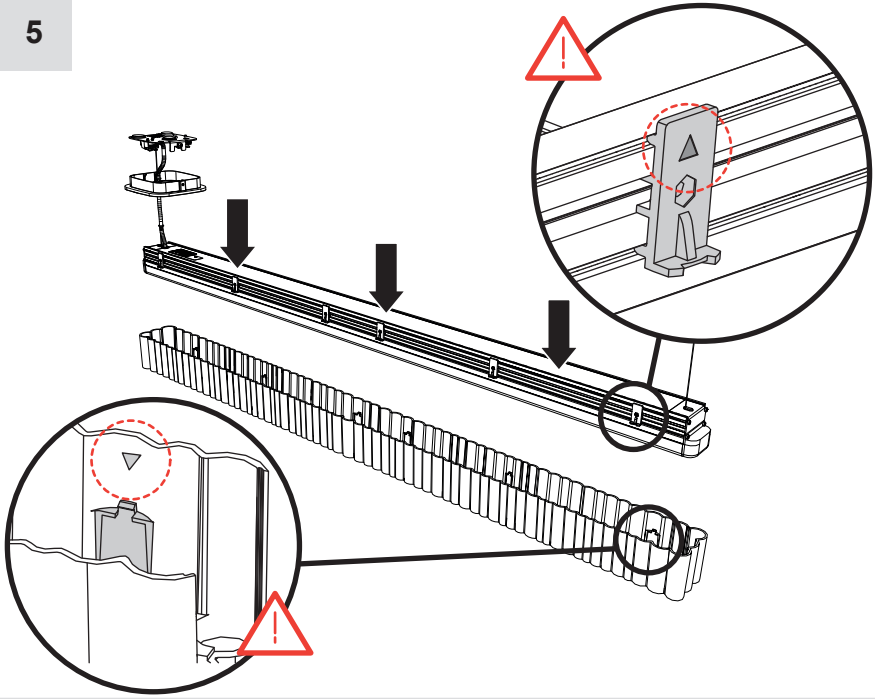
3



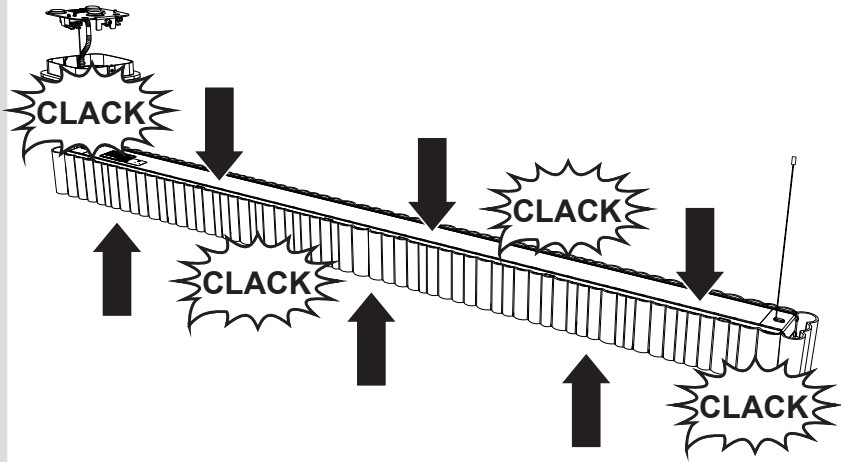
4



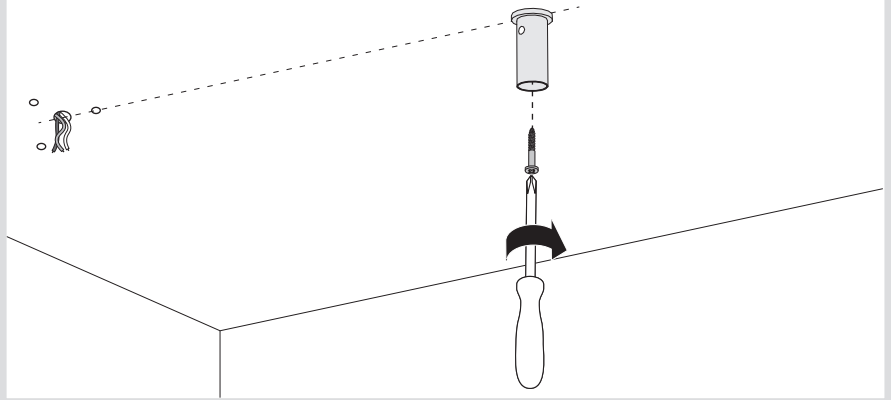
5



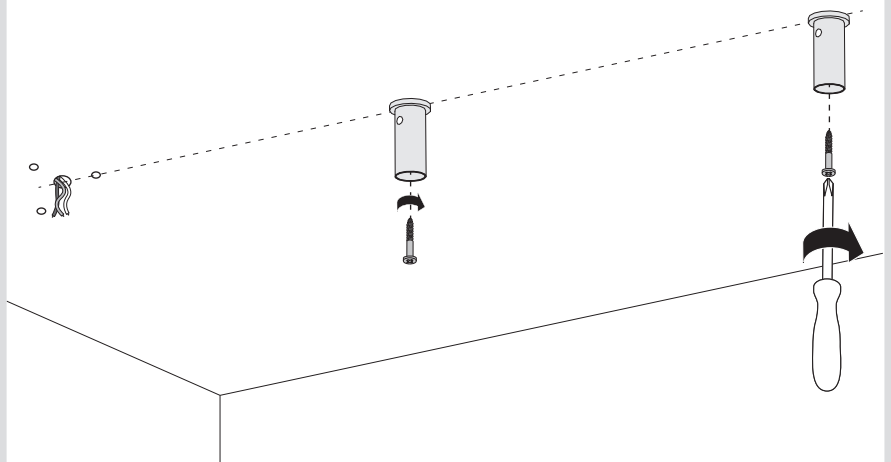
6



7a

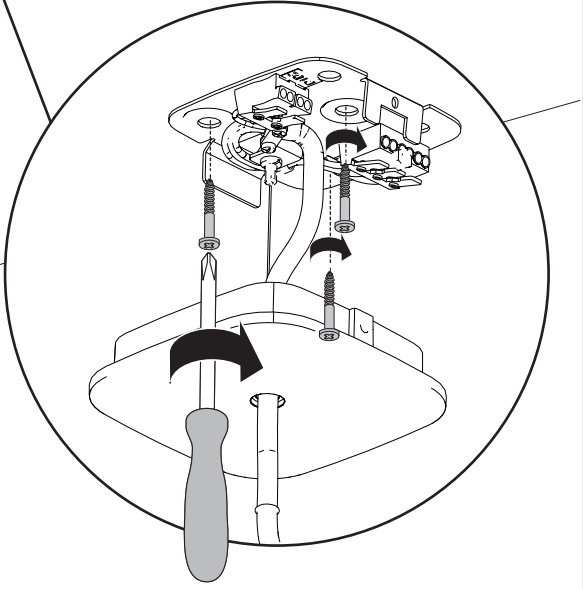
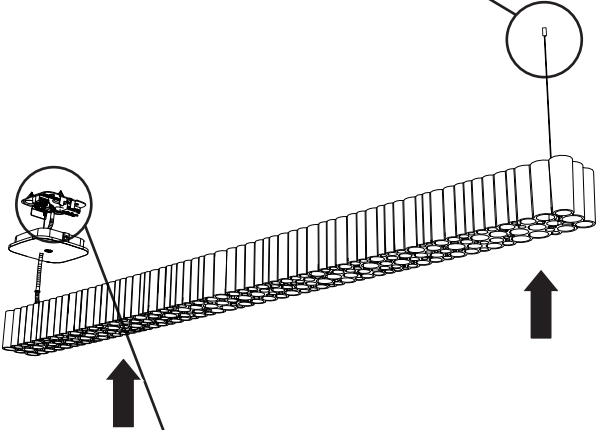
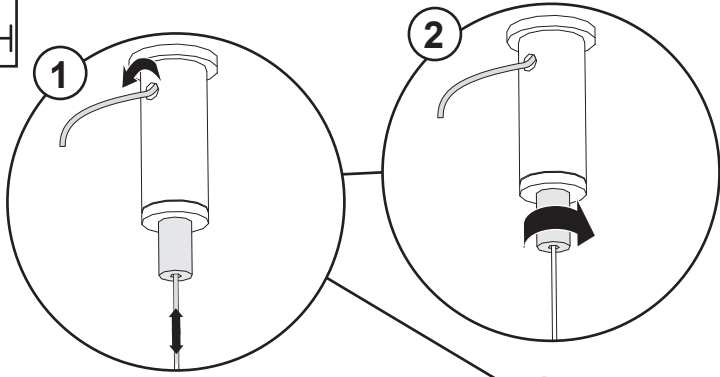


7b



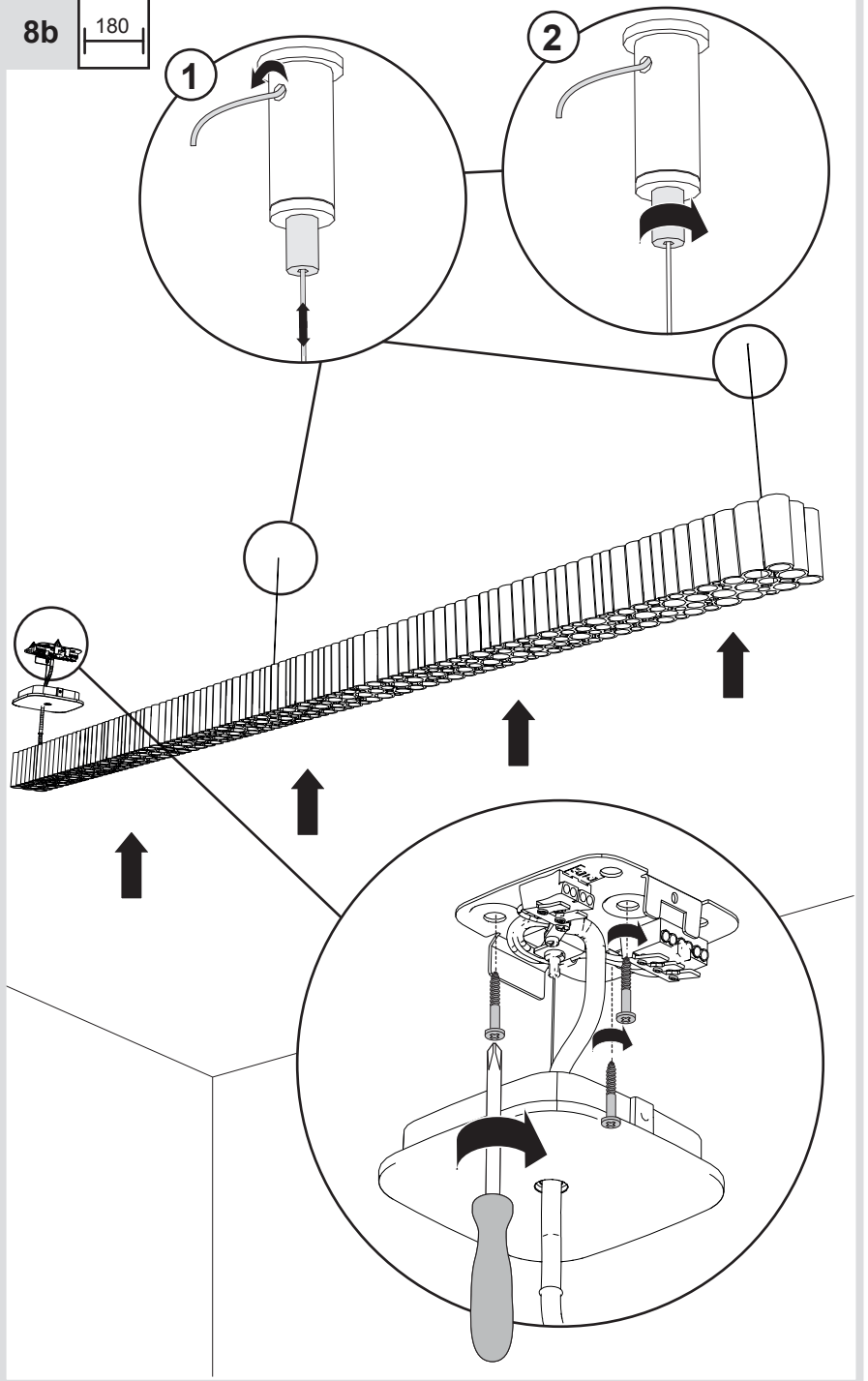
8a

120

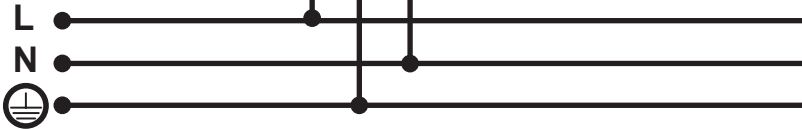
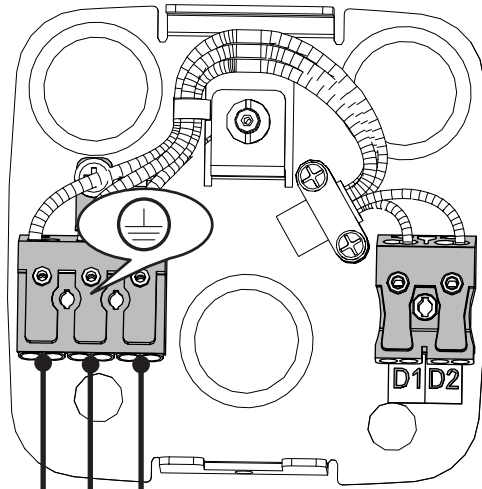


8b

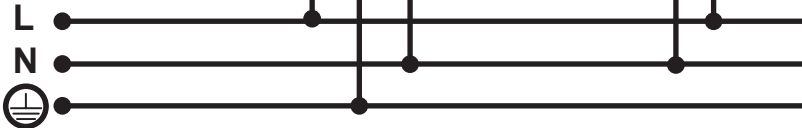
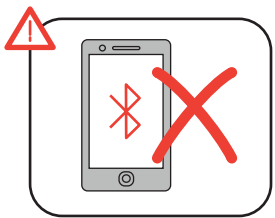
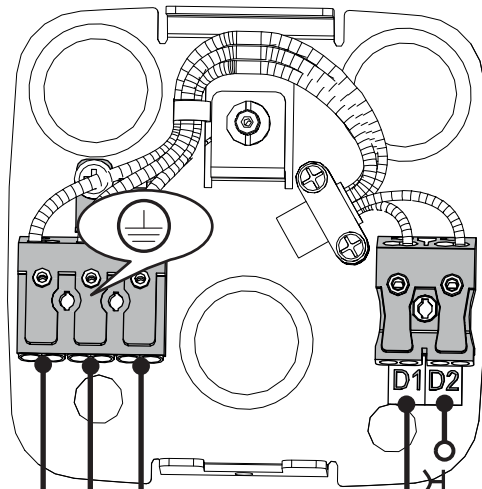
180



9a



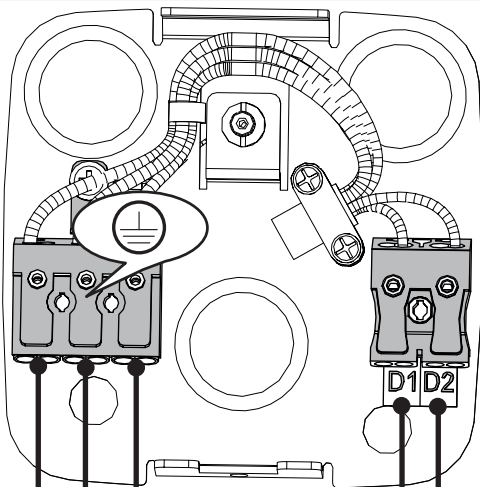
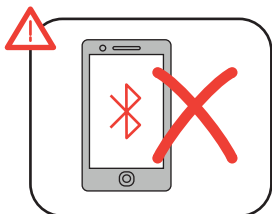
9b



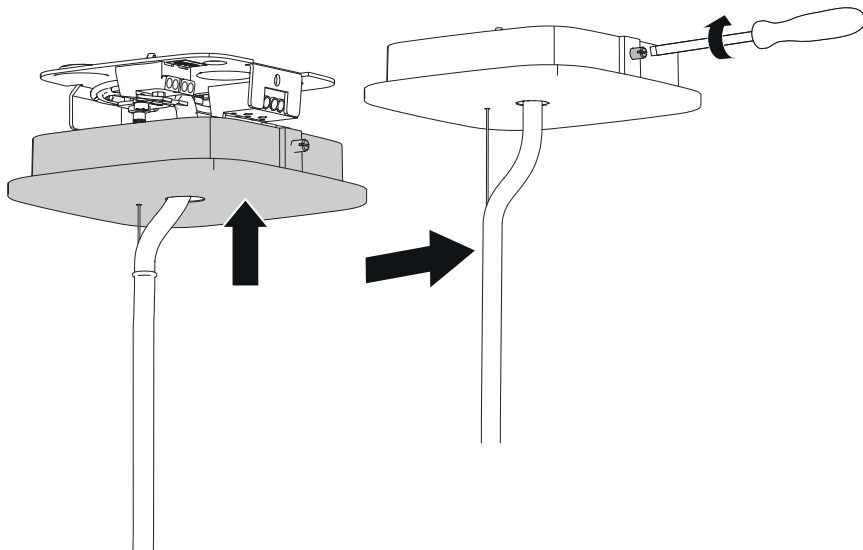
9c

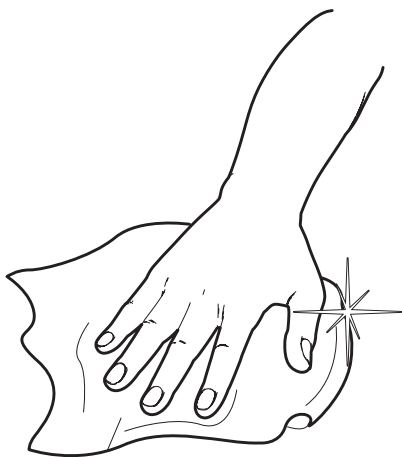


DALI

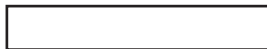


10





Artemide®



Artemide

via Bergamo, 18
20010 Pregnana M.se (MI)
ITALIA

tel. +39 02 935 181
fax +39 02 935 90 254
fax +39 02 935 90 496

www.artemide.com

VAT IT00846890150

cod. Y513001103