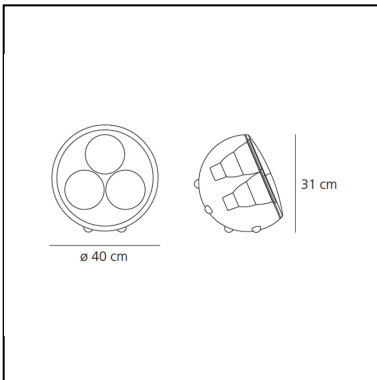


Yang LED - App Compatible

Carlotta de Bevilacqua



IP20 



LUMINARIA

- Power Supply: **Electrónico integrado**
- Potencia (W): **42W**
- Flujo Luminoso (lm): **1060lm**
- CCT: **3000K**
- Efficiency: **26%**
- Efficacy: **25.24lm/W**
- CRI: **90**

ESPECIFICACIONES

Since the 1990s, with the Metamorfosi project, Artemide has been working with coloured light, then with the colour temperatures of white, studying their significant psychological and physiological impact. The present evolution provides a broader range of colours that can become more and more vivid. We can reproduce all the colours in the visible spectrum and allow man to perceive all the wavelengths generated by natural sun light for optimal vision. Wavelengths can be selected and electronics ensures accurate and punctual management, as well as great freedom and flexibility to interact in real time. With such an advanced interaction mode, everyone is free to change his or her scenarios actively and consciously, in the pursuit of personal wellbeing.

CÓDIGO PRODUCTO: 0324010APP

CARACTERÍSTICAS

- Código del artículo: **0324010APP**
- Color: **Transparente**
- Instalación: **Pie**
- Material: **Metacrilato, policarbonato**
- Serie: **Design Collection**
- Entorno de uso: **Interior**
- Emisión: **Diffused**
- diseño: **Carlotta de Bevilacqua**

DIMENSIONES

- Altura: **cm 31**
- Diámetro: **cm 40**
- Resistencia al impacto: **N/D**
- Prueba calorífica: **N/D°**

FUENTES DE LUZ INCLUIDAS

- Categoría: **Led**
- Numero: **1**
- Potencia (W): **36.36W**
- Flujo Luminoso (lm): **3899lm**
- Temperatura de Color (K): **3000K**
- CRI: **90**
- Color Tolerance: **MacAdam 2SDCM**
- Efficacy: **107lm/W**
- Service Life: **50000-L70**

ACCESORIOS

Device for switching and controlling Artemide App products. Max N.3 inputs for external push buttons. Max 1m distance. Mains power supply required. To be installed inside flush mounting boxes or junction boxes. DV1080APP