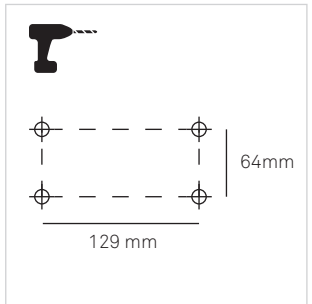
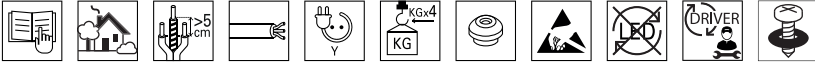


WILSON

190mm

LEDS C4



1

OFF

2

Ømin = 5mm
Ømax = 10mm

3

L
N

4

5

CLICK!

6

ON