

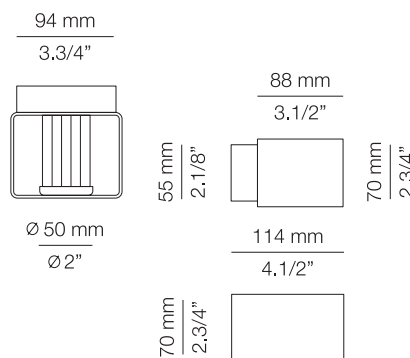
FRAME

A-4050

493040501

Metallic indoor wall light with satinated pyrex glass diffuser. Integral LED providing direct and indirect light.

Aplique metálico de interior con difusor de cristal pyrex satinado. LED integrado que proporciona luz directa e indirecta.



Warning

PRODUCT IS TO BE INSTALLED BY A QUALIFIED ELECTRICIAN ONLY.
LE PRODUIT DOIT ÊTRE INSTALLÉ PAR UN ÉLECTRICIEN QUALIFIÉ UNIQUEMENT.
EL PRODUCTO DEBE SER INSTALADO SOLO POR UN ELECTRICISTA CUALIFICADO.

The light source of this luminaire is not replaceable. Once the light source's lifecycle ends, you must contact the manufacturer for repairs. [CE only: 230V / P.F Tends to 1]

La fuente de luz de esta luminaria no es reemplazable. Cuando la fuente de luz alcance el final de su vida, debe ponerse en contacto con el fabricante para su reparación. [Solo CE: 230V / F.P Tiende a 1]

WE RECOMMEND READING THE INSTRUCTIONS ENTIRELY BEFORE STARTING YOUR INSTALLATION
PLEASE SAVE THESE INSTRUCTIONS SO THAT YOU CAN REFER TO THEM AT A LATER TIME

- * Do not look directly into any LED source.
- * Make sure the power has been disconnected before installing the fixture.
- * For indoor use only.
- * Do not use alcohol or solvents to clean the lamp.
- * For your convenience, assembly by two people is recommended.

LE RECOMENDAMOS LEA LAS INSTRUCCIONES ANTES DE PROCEDER A LA INSTALACIÓN
GUARDE LAS INSTRUCCIONES PARA FUTURAS REFERENCIAS

- * No mirar directamente a los LED.
- * Asegúrese de que la corriente está desconectada antes de conectar el aparato.
- * Únicamente para uso en interiores.
- * Para limpieza no utilizar alcohol ni disolventes.
- * Recomendamos la intervención de 2 personas para el montaje de la lámpara.



UL 1598 ELECTRICAL INSTRUCTIONS FOR FLUSHMOUNTS, WALL SCONCES AND PENDANTS

SAVE THESE INSTRUCTIONS. MIN 90C SUPPLY CONDUCTORS. CAUTION-RISK OF FIRE. USE STATED WATT OR SMALLER. CAUTION-RISK OF SHOCK. DISCONNECT POWER BEFORE SERVICING. TO REDUCE THE RISK OF A BURN DURING RELAMPING, ALLOW THE BULB TO COOL DOWN. SUITABLE FOR DAMP LOCATION. THIS PRODUCT MUST BE INSTALLED IN ACCORDANCE WITH THE APPLICABLE INSTALLATION CODE BY A PERSON FAMILIAR WITH THE CONSTRUCTION AND OPERATION OF THE PRODUCT AND THE HAZARD INVOLVED.

WARNING: ALL WIRES AND WIRE NUTS USED IN THE INSTALLATION MUST BE RATED 195F (90°C). FOR INDOOR USE ONLY. THIS PRODUCT MUST BE INSTALLED BY A QUALIFIED ELECTRICIAN.

Assembly instructions / Instrucciones

1 - Remove the screws (A) to release the fixture (B) from the mounting bracket (C).
Figure 1.

1 - Desenroscar los tornillos (A) para liberar la lámpara (B) de la sujeción (C).
Figura 1.

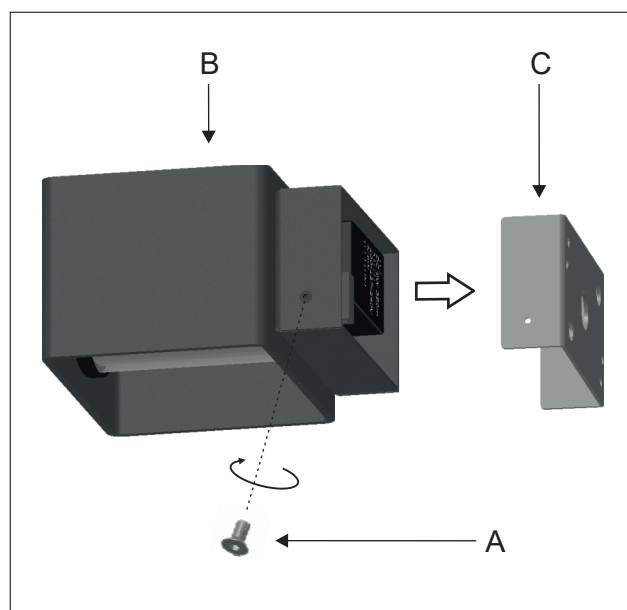


Figure 1

2A - WITHOUT JUNCTION BOX (INTERNATIONAL)

Run the power cables through the central hole of the mounting bracket (C) and fix it to the wall. Connect the electrical wires.

Figure 2A.

2A - SIN CAJA DE CONEXIONES (INTERNACIONAL)

Introducir los cables de la red por el agujero central de la sujeción (C) y fijarla a la pared. Realizar las conexiones eléctricas.

Figura 2A.

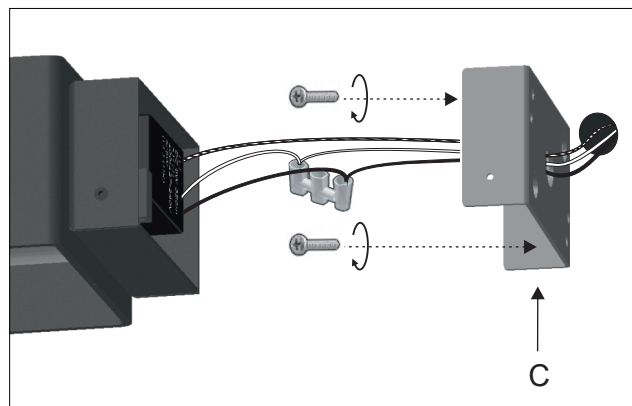


Figure 2A

2B - WITH JUNCTION BOX (USA)

Run the electrical cables through the central hole of the mounting bracket (C) and the decorative plate (D). Make the electrical connections within the junction box (E). Fix the mounting bracket (C) to the decorative disc using the screws (F) and nuts (G). Then attach the decorative plate (D) to the junction box (E).

Figure 2B.

2B - CON CAJA DE CONEXIONES (USA)

Pasar los cables de eléctricos por el agujero central de la sujeción (C) y de el disco decorativo (D). Realizar las conexiones eléctricas dentro de la caja de conexiones (E). Fijar la sujeción (C) al disco decorativo utilizando los tornillos (F) y las tuercas (G). A continuación, fijar el disco decorativo (D) a la caja de conexiones (E).

Figura 2B.

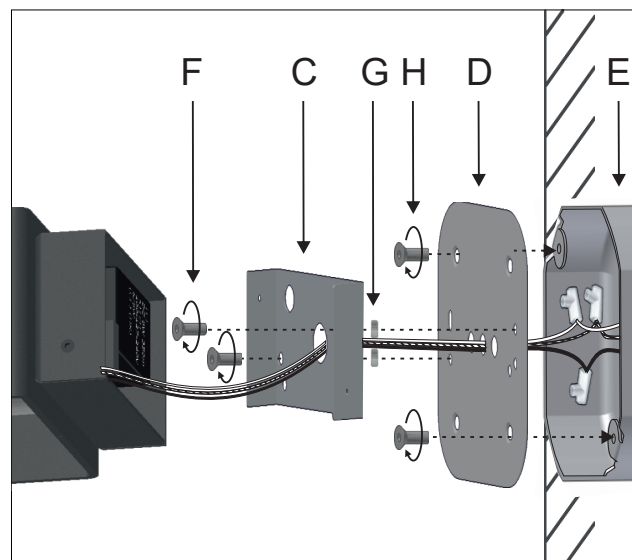


Figure 2B

3 - Install back the screws (A) to attach the fixture (B) to the mounting bracket (C).

Figure 3.

3 - Roscar de nuevo los tornillos (A) para fijar la lámpara (B) a la sujeción (C).

Figura 3.

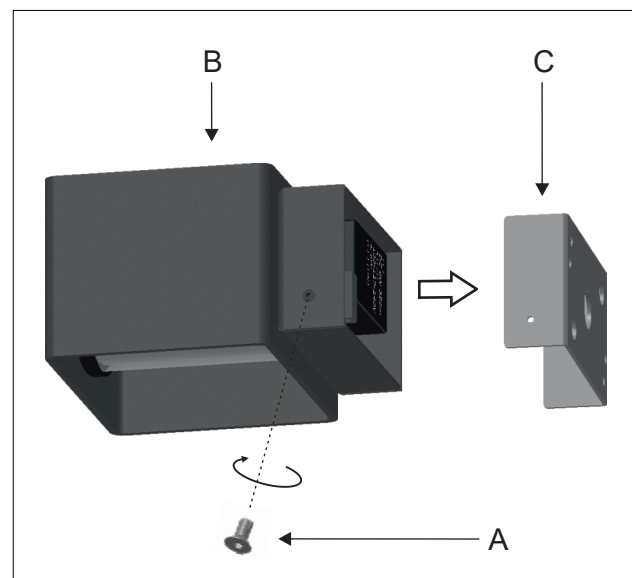


Figure 3