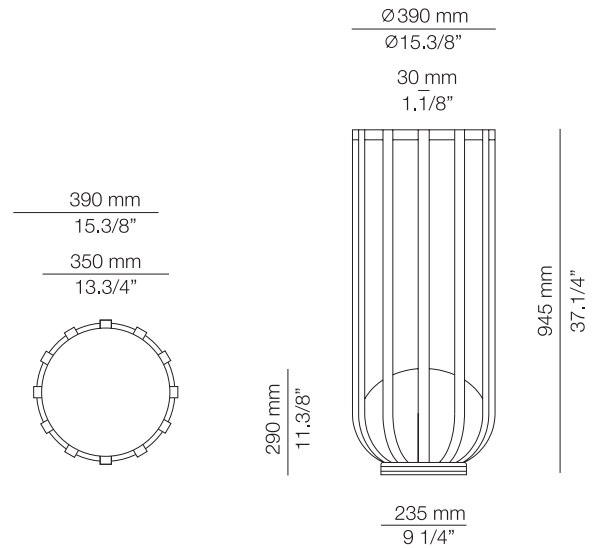


P-4027X

493040271

Aluminium floor lamp with polyethylene shade and integral dimmable LED. Suitable for indoor and outdoor use. Double-layer coating for high resistance to corrosion and other maritime environmental conditions. It has the possibility to add a tray to be used as a table, a bolted down floor base kit, or a flower pot for natural or artificial vegetation.

Lámpara de pie de aluminio con pantalla de polietileno y LED regulable integrado. Apta para interior y exterior. Recubrimiento de doble capa para alta resistencia a la corrosión y otras condiciones ambientales marítimas. Posibilidad de añadir una bandeja para utilizar como mesa, un kit de anclaje al suelo, o un macetero para vegetación natural o artificial.



Warning

PRODUCT IS TO BE INSTALLED BY A QUALIFIED ELECTRICIAN ONLY.
LE PRODUIT DOIT ÊTRE INSTALLÉ PAR UN ÉLECTRICIEN QUALIFIÉ UNIQUEMENT.
EL PRODUCTO DEBE SER INSTALADO SOLO POR UN ELECTRICISTA CUALIFICADO.

The light source of this luminaire is not replaceable. Once the light source's lifecycle ends, you must contact the manufacturer for repairs.
(CE only: 230 V / P.F Tends to 1)

La fuente de luz de esta luminaria no es reemplazable. Cuando la fuente de luz alcance el final de su vida, debe ponerse en contacto con el fabricante para su reparación. (Solo CE: 230 V / FP Tiende a 1)

WE RECOMMEND READING THE INSTRUCTIONS ENTIRELY BEFORE STARTING YOUR INSTALLATION
PLEASE SAVE THESE INSTRUCTIONS SO THAT YOU CAN REFER TO THEM AT A LATER TIME

- * Do not look directly into any LED source.
- * For indoor and outdoor use.
- * Do not use alcohol or solvents to clean the lamp.

LE RECOMENDAMOS LEA LAS INSTRUCCIONES ANTES DE PROCEDER A LA INSTALACIÓN
GUARDE LAS INSTRUCCIONES PARA FUTURAS REFERENCIAS

- * No mirar directamente a los LED.
- * Para uso en interiores y exteriores.
- * Para limpieza no utilizar alcohol ni disolventes.



UL 1598 ELECTRICAL INSTRUCTIONS FOR FLUSHMOUNTS, WALL SCONCES AND PENDANTS

SAVE THESE INSTRUCTIONS. MIN 90C SUPPLY CONDUCTORS. CAUTION-RISK OF FIRE. USE STATED WATT OR SMALLER. CAUTION-RISK OF SHOCK. DISCONNECT POWER BEFORE SERVICING. TO REDUCE THE RISK OF A BURN DURING RELAMPING, ALLOW THE BULB TO COOL DOWN. SUITABLE FOR WET LOCATION. THIS PRODUCT MUST BE INSTALLED IN ACCORDANCE WITH THE APPLICABLE INSTALLATION CODE BY A PERSON FAMILIAR WITH THE CONSTRUCTION AND OPERATION OF THE PRODUCT AND THE HAZARD INVOLVED.

WARNING: ALL WIRES AND WIRE NUTS USED IN THE INSTALLATION MUST BE RATED 195F (90°C). FOR INDOOR USE ONLY. THESE PRODUCT MUST BE INSTALLED BY A QUALIFIED ELECTRICIAN.

Assembly instructions / Instrucciones

1 - Connect the plug into the outlet.
Figure 1.

1 - Conecte el enchufe a la corriente.
Figura 1.



Figure 1