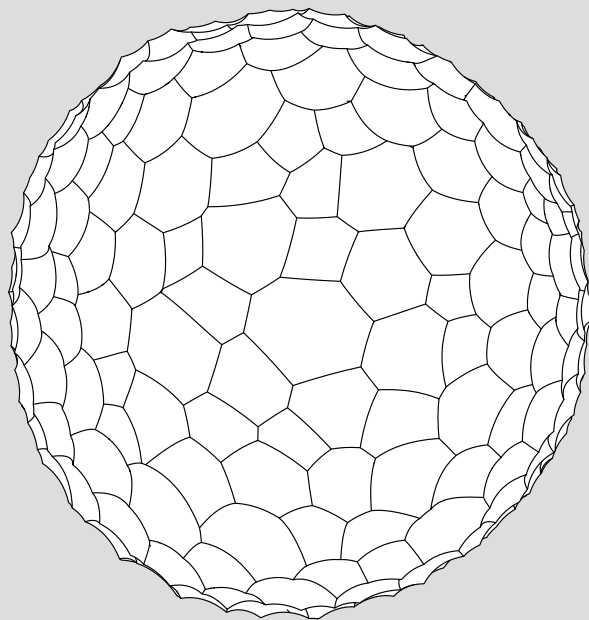


Artemide®

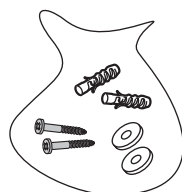
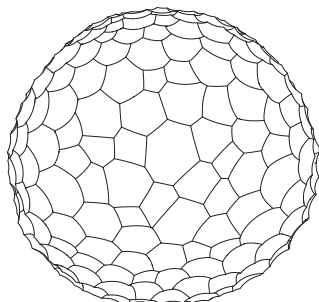
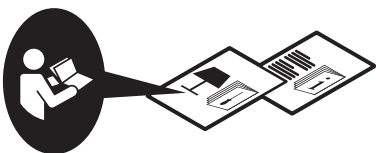
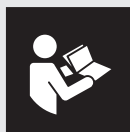
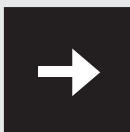
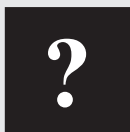
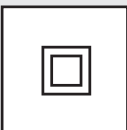
Meteorite 15

design
Pio & Tito Toso

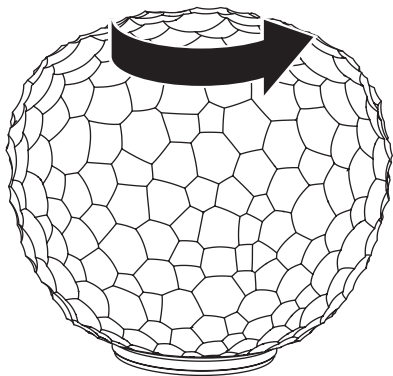




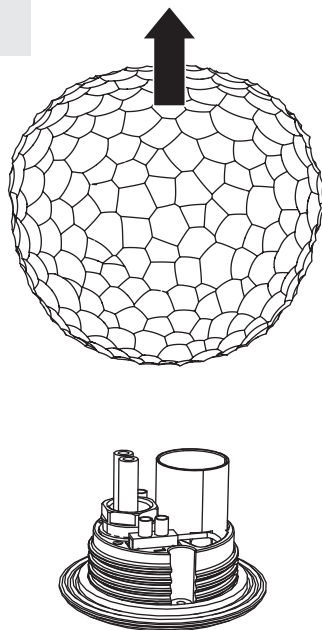
i



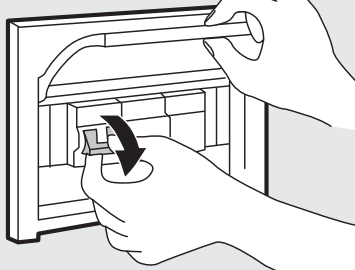
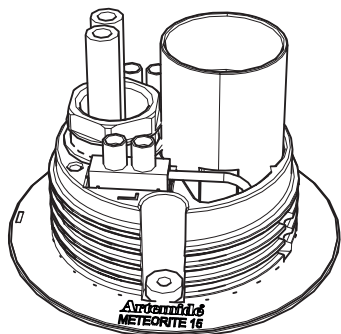
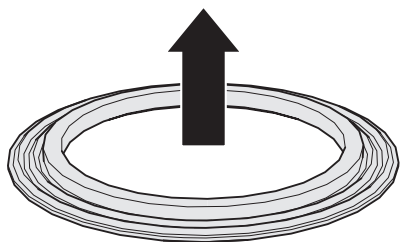
1



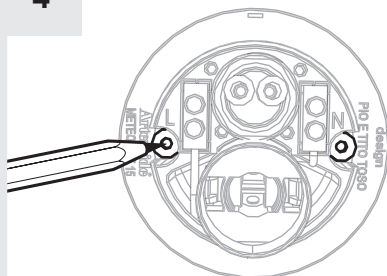
2



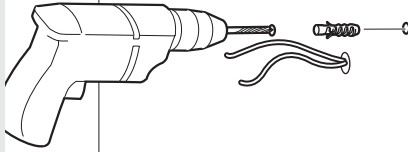
3



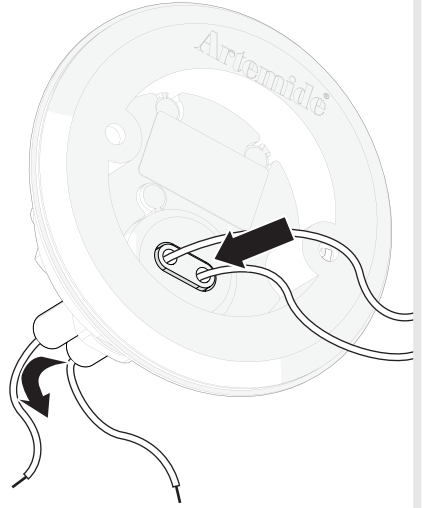
4



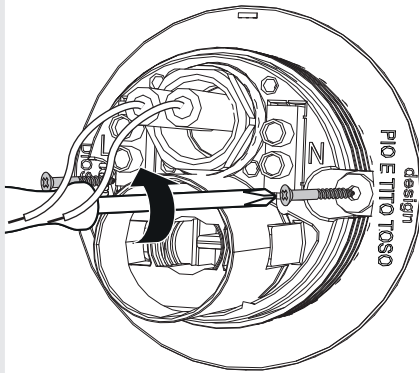
5



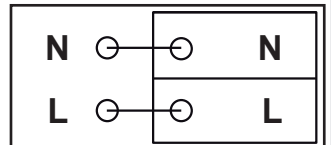
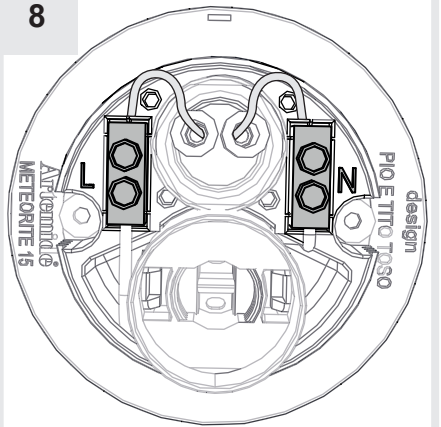
6



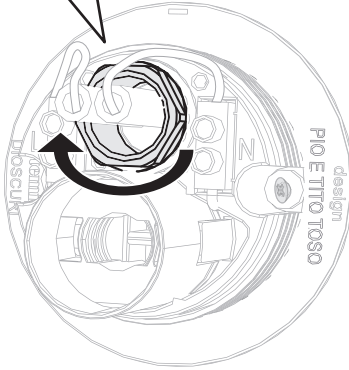
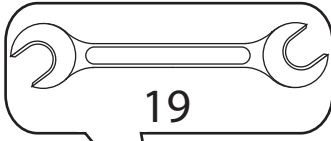
7



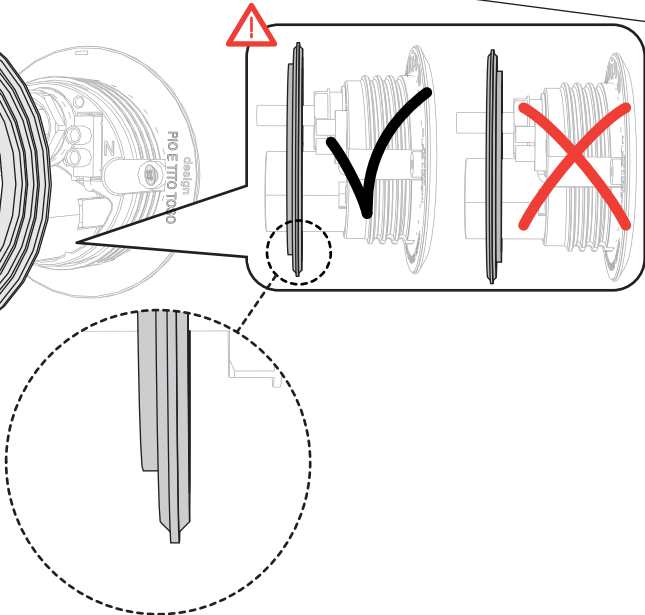
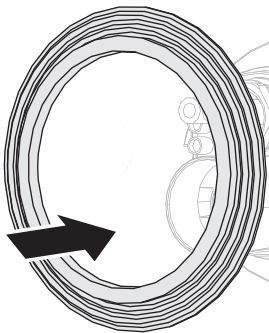
8



9

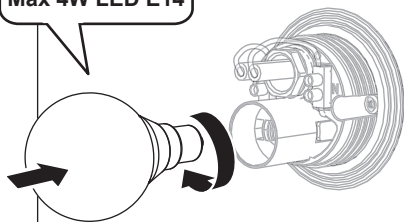


10

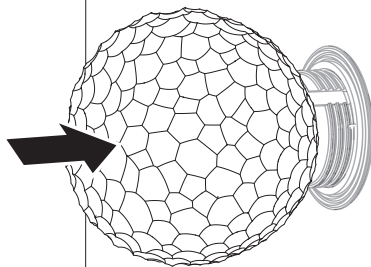


11

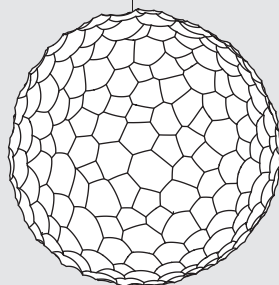
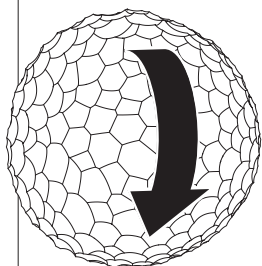
Max 4W LED E14



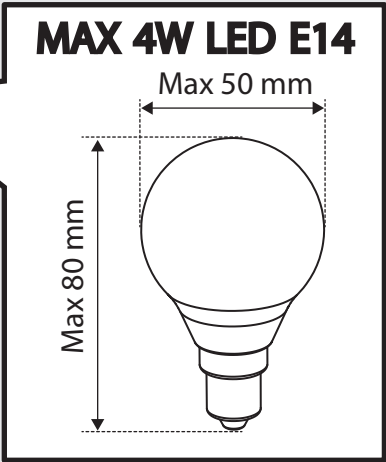
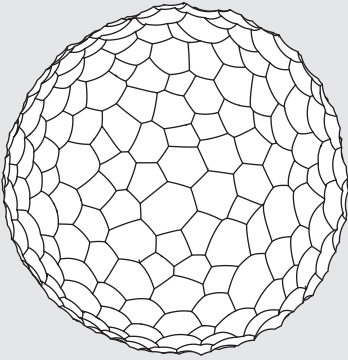
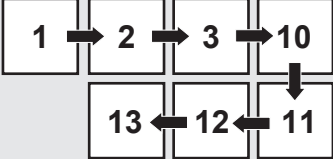
12



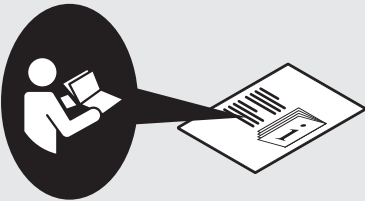
13



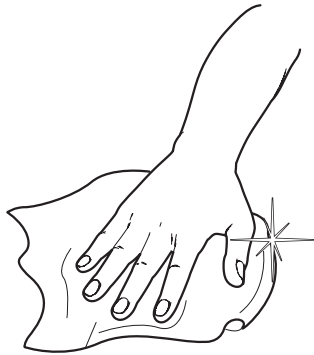
i



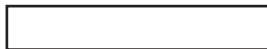
i



1



Artemide®



Artemide

via Bergamo, 18
20010 Pregnana M.se (MI)
ITALIA

tel. +39 02 935 181
fax +39 02 935 90 254
fax +39 02 935 90 496

www.artemide.com

VAT IT00846890150

cod. Y513000927