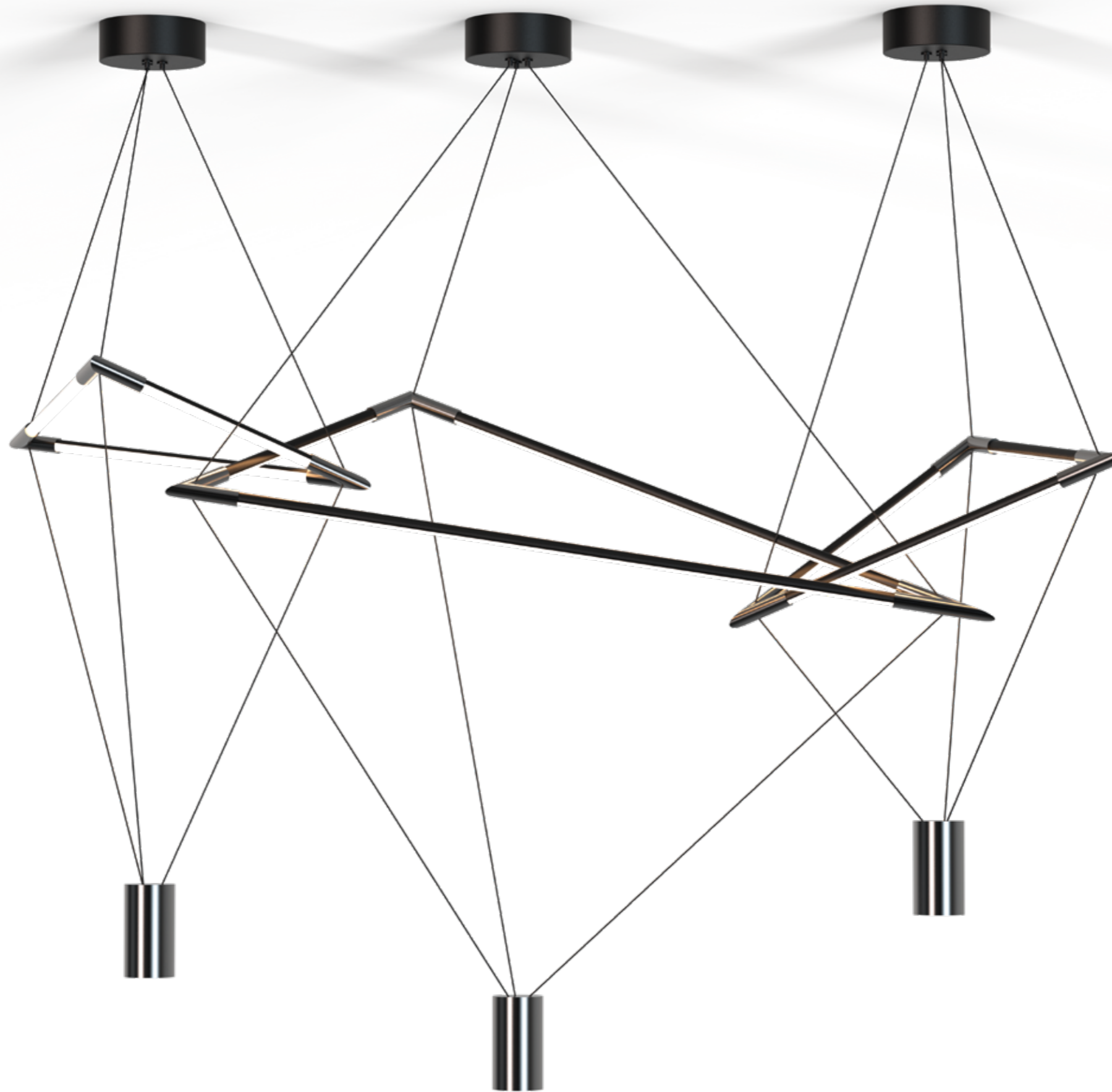


# ELECTRA

by Mantra team



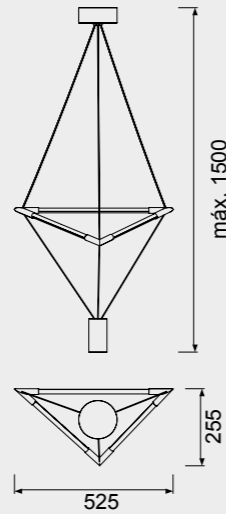
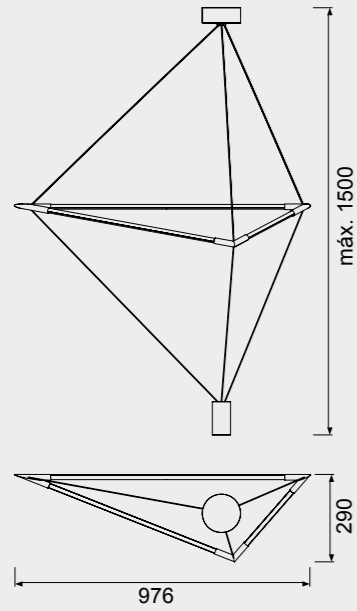
# ELECTRA



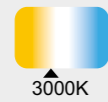
# ELECTRA

**8531** Negro/Cromo-Chrome/Black  
LED 33W 3000K 2500lm

**8533** Negro/Cromo-Chrome/Black  
LED 21W 3000K 1600lm



MODO DE USO



Aluminio/Acero-Aluminium/Steel 220-240V~ 50/60Hz CRI≥ 80