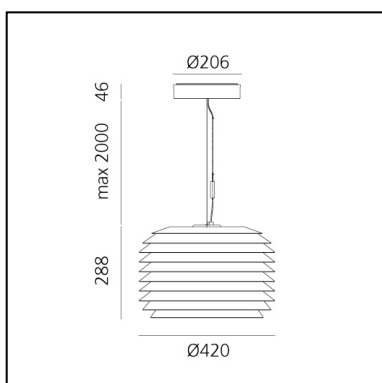


Slicing - Suspension 42

BIG - Bjarke Ingels Group



IP65



LUMINARIA

- Potencia (W): **26W**
- Flujo Luminoso (lm): **3800lm**
- CRI: **90**

ESPECIFICACIONES

Slicing breaks down the iconic Gople silhouette and scale into different dimensions and proportions to bring light indoor and outdoor, by interpreting the relationship between spaces and nature.

Starting from the principles of production, energy sustainability and respect for the natural environment in which they are inserted, a series of overlapping slats interact with the light and define the body of three suspension lights two floor and one wall/ceiling elements.

Slicing can accompany us as we walk about, it helps us to read the surrounding landscape in the movement, it stages the space and creates moments of rest, sharing and meeting, resulting in an experience on a human scale.

CÓDIGO PRODUCTO: T250410

CARACTERÍSTICAS

- Código del artículo: **T250410**
- Color: **Aluminium**
- Instalación: **Suspensión**
- Material: **Aluminum**
- Serie: **Architectural Outdoor**
- diseño: **BIG - Bjarke Ingels Group**

DIMENSIONES

- Altura: **cm 28.8**
- Diámetro: **cm 42**
- Altura máxima del techo: **cm 200**