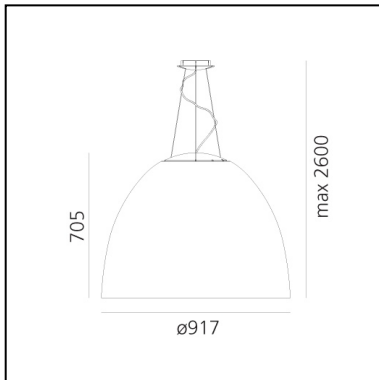


Nur Acoustic White Integralis - Red

Ernesto Gismondi



IP20  Regulable: 



LUMINARIA

DAY MODE

- Potencia (W): **80W**
- Tensión de alimentación: **220-240V**
- Flujo Luminoso (lm): **6733lm**
- Flujo Radiante: **4553mW**
- CCT: **5000K**
- Efficiency: **68%**
- Efficacy: **84.16lm/W**
- CRI: **90**
- Dimmable Typology: **Push**

ESPECIFICACIONES

Nur, an iconic product from the Artemide collection, is restyled in a new acoustic version. The bell-shaped body is designed to mark the boundaries through light, as well as with ambient sound control. The special material absorbs sound waves and reduces their reverberation time, the body's geometry enhances the material's properties by trapping and absorbing sound within. The selected colours, matched with a white inner surface, valorize light. Perfect environmental quality is thus obtained.

In the WHITE INTEGRALIS version, Nur is designed to offer a white emission ensuring perfect perception while respecting the human presence and which at the same time combines control of microbial growth. It can vary in intensity and is available with a fixed CCT of 5000K, with a high color rendering index (CRI 90).

CÓDIGO PRODUCTO: A243740INO

CARACTERÍSTICAS

- Código del artículo: **A243740INO**
- Color: **Red**
- Instalación: **Suspensión**
- Material: **PET, methacrylate, glass**
- Serie: **Design Collection**
- Entorno de uso: **Interior**
- diseño: **Ernesto Gismondi**

DIMENSIONES

- Altura: **cm 70.5**
- Diámetro: **cm 91.7**
- Altura máxima del techo: **cm 260**
- Prueba calorífica: **650°**

FUENTES DE LUZ INCLUIDAS

- Categoría: **Led**
- Numero: **1**
- Temperatura de Color (K): **5000K**
- CRI: **90**
- Color Tolerance: **3SDCM**
- Service Life: **L80 (10K) 55000h**