
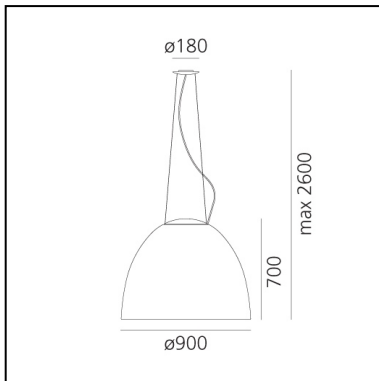


# Nur 1618 LED White Integralis - Anthracite grey

Ernesto Gismondi



IP20   Regulable: 



## LUMINARIA

### DAY MODE

- Potencia (W): **80W**
- Tensión de alimentación: **220V-240V**
- Flujo Luminoso (lm): **4739lm**
- Flujo Radiante: **2763mW**
- CCT: **5000K**
- Efficiency: **48%**
- Efficacy: **59.24lm/W**
- CRI: **90**
- Dimmable Typology: **Push**

## ESPECIFICACIONES

An extreme geometric synthesis of optics par excellence, Nur manifests its presence through a monolithic and mono-material body. The essential and geometrically calibrated lines of a perfect parabola conceal an optical heart that perfectly controls the emission, without offending direct vision. With a 80W LED optical engine, it ensures general ambient lighting thanks also to indirect emission.

In the WHITE INTEGRALIS version Nur is designed to offer a white emission ensuring perfect perception while respecting the human presence and which at the same time combines control of microbial growth. It can vary in intensity and is available with a fixed CCT of 5000K, with a high color rendering index (CRI 90).

**CÓDIGO PRODUCTO: A243200INO**

## CARACTERÍSTICAS

- Código del artículo: **A243200INO**
- Color: **Anthracite Grey**
- Instalación: **Suspensión**
- Material: **Aluminium, methacrylate, glass**
- Serie: **Design Collection**
- Entorno de uso: **Interior**
- Área de uso: **Hospitality, Residential**
- Emisión: **Directa/indirecta Difusa**
- diseño: **Ernesto Gismondi**

## DIMENSIONES

- Altura: **cm 70**
- Diámetro: **cm 90**
- Diámetro base: **cm 18**
- Altura máxima del techo: **cm 260**
- Prueba calorífica: **650°C**

## FUENTES DE LUZ INCLUIDAS

- Categoría: **Led**
- Numero: **1**
- Temperatura de Color (K): **5000K**
- CRI: **90**
- Color Tolerance: **3SDCM**
- Service Life: **L80 (10K) 55000h**