

# FLOS

F6612009 Glossy White

## Spun Light Floor

Designed by Sebastian Wrong, 2003

Halogen - 250W



Floor fixture providing diffused lighting. Spun metal frame and diffuser, die-cast aluminum diffuser support arms and lamp-holder support, painted in the colors indicated below. White, injection-molded polycarbonate diffuser supports. On the cable there is the electronic dimmer which allows the regulation of light brightness.

Are you a professional and your project needs consulting and support?

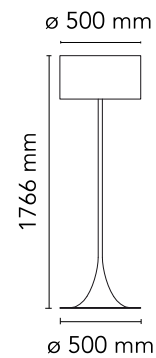
[BOOK AN APPOINTMENT](#)

### Main specifications

EAN	8059607023174
Mounting	Floor
Environments	Indoor dry location
Light Source Type	Bulb
Lamp category	Halogen
Lamp holders	E27
Iicos	HSGS
Number of heads	1
Power (W)	250

### Physical

Colour	Glossy White
Net weight (kg)	9.3
Package height (mm)	1880
Package width (mm)	580
Package length (mm)	580
Package volume (m3)	0.63
IP internal	20



### Download

[Mounting instructions](#)  PDF

[Spare Parts](#)  PDF

### Photometric Files

[LDT / IES](#)  LDT

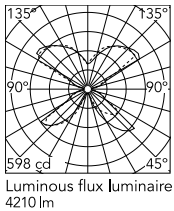
### Technical Drawings

[2D](#)  ZIP

[3D](#)  ZIP



## Schematic light drawing



### Photometric

Lighting type	Indirect, Direct
Light distribution	Symmetric

### Electrical

Insulation class	II
Frequency (Hz)	50/60
Main voltage (Vac)	220-240
LED voltage Vf (Vdc)	null
Dimmable	Yes
Dimming interface	Dimmer Integrated
Plug type	Type C
Batteries inside	No
Charging min time	No

## Bulbs



NOT INCLUDED

RF26998

LED 21W E27 2450lm 3000K  
DIMMER

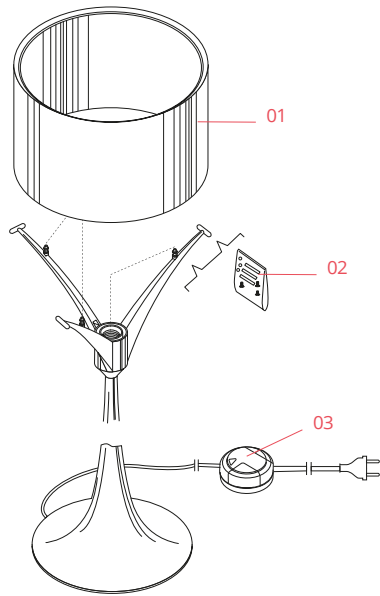


NOT INCLUDED

RF30429

LED Opal Lamp E27 21W 2700K  
A65 Dimmable

## Spare Parts



- |     |   |           |
|-----|---|-----------|
| 01. | F white diffuser                              | RF12144   |
| 02. | Bag with diffuser supports and o-<br>ring     | RF6610100 |
| 03. | Led rondo' dimmer 220/240v 40-<br>250w 4-100w | RF28200   |

**DOWNLOAD**



RF12144

F white diffuser



RF6610100

Bag with diffuser supports and o-ring



RF28200

Led rondo' dimmer 220/240v 40-250w 4-100w