

FLOS

F1367039 Green

Smithfield Suspension Pro

Designed by Jasper Morrison, 2009



45W - 2791lm - 2700K - CRI> 95

Suspension lamp with direct light. Aluminium body. Available in gloss black, matt black, red, green, white or MUD. Injection-moulded opalescent methacrylate diffuser. Steel ceiling attachment with steel suspension cable, 5 pole electric cable in PTFE double insulation, working length 2700mm.

Are you a professional and your project needs consulting and support?

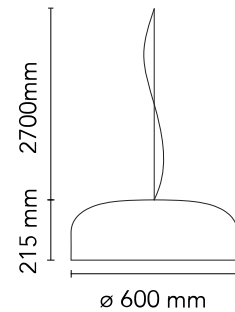
[BOOK AN APPOINTMENT](#)

Main specifications

EAN	8059607015001
Mounting	Suspension
Environments	Indoor dry location
Light Source Type	LED
LED type	LED Module
Power (W)	45
System power (W)	45
System flux (lm)	2791

Physical

Colour	Green
Cord length (mm)	2700
Net weight (kg)	5.8
Package volume (m3)	0.16
IP internal	20



Download

[Mounting instructions](#) PDF

[Spare Parts](#) PDF

Photometric Files

[LDT / IES](#) LDT

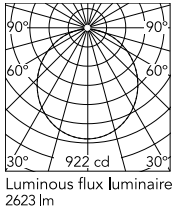
Technical Drawings

[3D](#) ZIP

[Bim](#) ZIP



Schematic light drawing



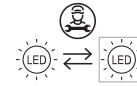
Photometric

Lighting type	Direct
Light distribution	Roto symmetric
CCT (K)	2700
CRI>	95

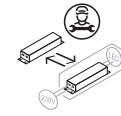
Electrical

Insulation class	I
Frequency (Hz)	50/60
Main voltage (Vac)	200-240
LED voltage Vf (Vdc)	null
Driver	Integrated
Dimming type	Dimmable Push
Batteries inside	No

Ecodesign and Energy Labelling

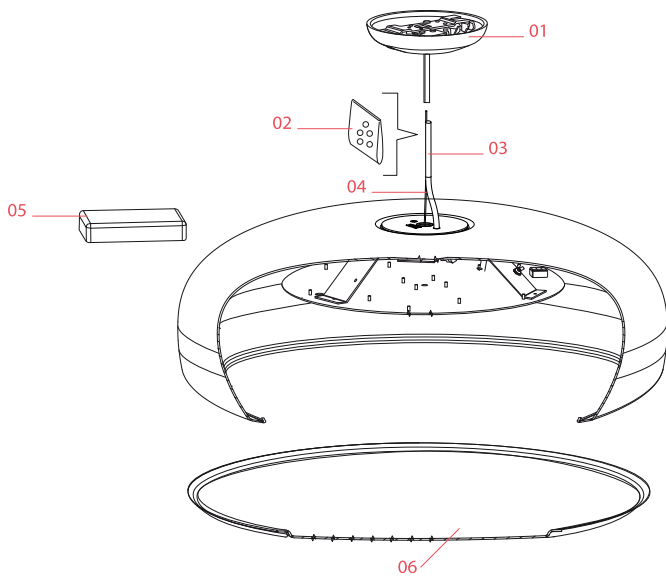


Replaceable (LED only)
light source by a
professional



Replaceable control
gear by a professional

Spare Parts



- | | | |
|-----|--|-----------|
| 01. | Green rose assembly | RF1367039 |
| 02. | Kit of 5 or rings | RF05382 |
| 03. | 2,7mt fep/pvc 5x0,75 transparent cable | RF29934 |
| 04. | 3 mt steel cable ø1,2 with 19 winded wires | RF29665 |
| 06. | Methacrylate diffuser | RF19022 |

DOWNLOAD



RF1367039
Green rose assembly



RF05382
Kit of 5 or rings



RF29934
2,7mt fep/pvc 5x0,75 transparent
cable

FLOS

RF29665
3 mt steel cable ø1,2 with 19
winded wires



RF19022
Methacrylate diffuser