

FLOS

F1041057 Chrome

Bon Jour Versailles

Designed by Philippe Starck, 2017

13W - 854lm - 2700K - CRI> 90



Table lamp providing diffuse light. Injection molded polymethylmethacrylate clear transparent base and diffuser. Electroplated/painted top cover in ABS. Edge Lighting technology light source. Power cord length 200 cm, with dimmer switch that provide ON-OFF functions and 10-100 % light adjustment. Plug-in power supply with interchangeable plugs.

Are you a professional and your project needs consulting and support?

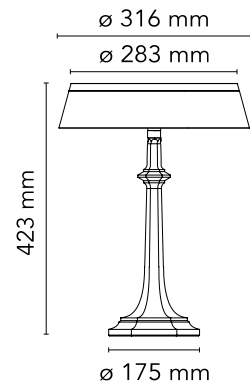
BOOK AN APPOINTMENT

Main specifications

| | |
|-------------------|---------------------|
| EAN | 8059607014677 |
| Mounting | Table |
| Environments | Indoor dry location |
| Light Source Type | LED |
| LED type | LED Module |
| Power (W) | 13 |
| System flux (lm) | 854 |

Physical

| | |
|---------------------|--------|
| Colour | Chrome |
| Cord length (mm) | 2350 |
| Net weight (kg) | 1.7 |
| Package height (mm) | 375 |
| Package width (mm) | 380 |
| Package length (mm) | 530 |
| Package volume (m3) | 0.08 |
| IP internal | 20 |

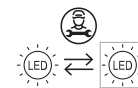


Download

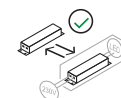
| | |
|-----------------------|-----|
| Mounting instructions | PDF |
| Mounting instructions | PDF |
| Spare Parts | PDF |

Ecodesign and Energy Labelling

This product contains a light source of energy efficiency class E



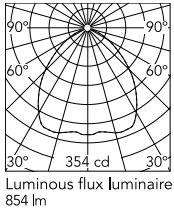
Replaceable (LED only) light source by a professional



Replaceable control gear by an end-user



Schematic light drawing



Photometric

| | |
|--------------------|----------------|
| Lighting type | Direct |
| Light distribution | Roto symmetric |
| CCT (K) | 2700 |
| CRI> | 90 |

Electrical

| | |
|----------------------|------------------------|
| Insulation class | III |
| Frequency (Hz) | 50/60 |
| Main voltage (Vac) | 100-240/24 |
| LED voltage Vf (Vdc) | null |
| Driver | Remote included |
| Dimmable | Yes |
| Dimming type | Electronic 24V |
| Dimming interface | Dimmer Integrated |
| Plug type | Type G, Type A, Type C |
| Batteries inside | No |
| Charging min time | No |

Accessories & Power Supply



OPTIONAL

F1033000

Bon Jour Crown



OPTIONAL

F1033007

Bon Jour Crown



OPTIONAL

F1033019

Bon Jour Crown



OPTIONAL

F1033030

Bon Jour Crown



OPTIONAL

F1033070

Bon Jour Crown

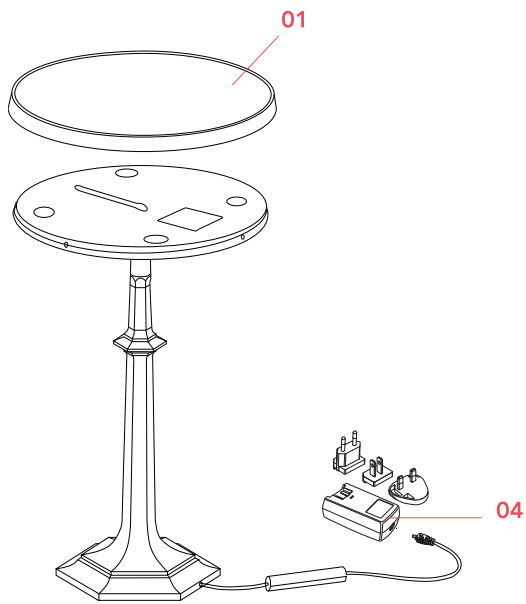


OPTIONAL

F1033088

Bon Jour Crown

Spare Parts



04. White plug assembly kit & 24V driver

RF3320200

DOWNLOAD



RF3320200

White plug assembly kit & 24V
driver