

FLOS

F1595034 Pink Gold/Oxide Red

Chiara Table

LED retrofit - 10W

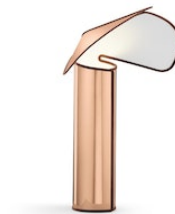
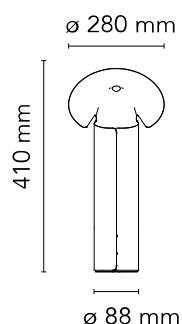


Table lamp composed of a reflecting body in aluminium in 3 colour variations, finished internally with an opaque white plastic film and folded and closed via hooks riveted to the sheet metal. A coloured seal in moulded tpu runs along the entire profile of the body. The internal base in extruded aluminium is attached to the body for stability and it also supports the bulb socket. The power cable has a dimmer switch to adjust the brightness. Usable cable length: 1.9 m

Are you a professional and your project needs consulting and support?

[BOOK AN APPOINTMENT](#)




Main specifications

EAN	8059607032329
Mounting	Table
Environments	Indoor dry location
Light Source Type	Bulb
Lamp category	LED retrofit
Lamp holders	E14
Ilcos	HSGS
Number of heads	1
Power (W)	10

Physical

Colour	Pink Gold/Oxide Red
Cord length (mm)	1900
Net weight (kg)	1.32
Package volume (m3)	0.06
IP internal	20

Download

[Mounting instructions](#)  PDF

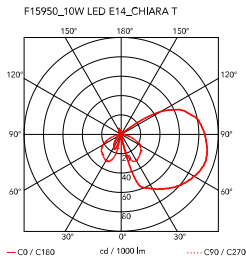
[Spare Parts](#)  PDF

Photometric Files

[LDT / IES](#)  LDT



Schematic light drawing



Photometric

Lighting type	Indirect
Light distribution	Asymmetric

Electrical

Insulation class	II
Frequency (Hz)	50/60
Main voltage (Vac)	100-240
LED voltage Vf (Vdc)	null
Dimmable	Yes
Dimming interface	Dimmer Integrated
Plug type	Type C
Batteries inside	No

Bulbs



NOT INCLUDED

RF32290

LED Lamp E14 8W 2700K T28



NOT INCLUDED

RF32291

LED Lamp E14 8W 3000K T28



NOT INCLUDED

RF32767

LED Lamp 9W E14 220-240V
2700K T28



NOT INCLUDED

RF32768

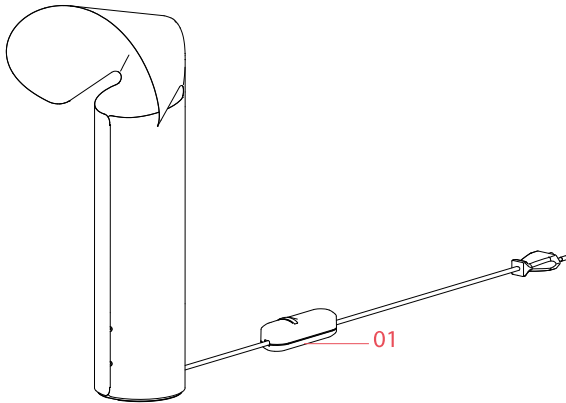
LED Lamp 9W E14 220-240V
3000K T28

Spare Parts

01. Black Dimmer Switch

RF28206

DOWNLOAD





RF28206

Black Dimmer Switch