

FLOS

■ F6610030 Black

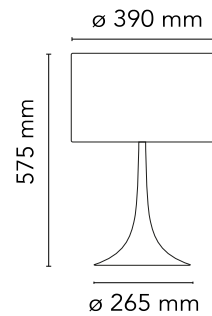
Spun Light Table 1

Designed by Sebastian Wrong, 2003



Halogen - 150W

Table/desk lamp providing diffused light. Spun metal frame and diffuser, die-cast aluminum diffuser support arms and lampholder support, painted in the colors indicated below. White, injection-molded polycarbonate diffuser supports. Sandblasted pressed glass upper diffuser screen. On the cable there is the electronic dimmer which allows the regulation of light brightness.



Are you a professional and your project needs consulting and support?

[BOOK AN APPOINTMENT](#)


Main specifications

EAN	8059607006887
Mounting	Table
Environments	Indoor dry location
Light Source Type	Bulb
Lamp category	Halogen
Lamp holders	E27
Ilcos	HSGS
Number of heads	1
Power (W)	150

Physical

Colour	Black
Cord length (mm)	1700
Net weight (kg)	4.3
Package height (mm)	660
Package width (mm)	480
Package length (mm)	480
Package volume (m3)	0.15
IP internal	20

Download

[Mounting instructions](#)  PDF

[Spare Parts](#)  PDF

Photometric Files

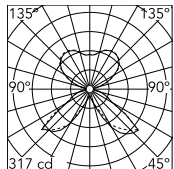
[LDT / IES](#)  LDT

Technical Drawings

[2D](#)  ZIP



Schematic light drawing



Luminous flux Luminaire
2400 lm

Photometric

Lighting type	Indirect, Direct
Light distribution	Symmetric

Electrical

Insulation class	II
Frequency (Hz)	50/60
Main voltage (Vac)	220-240
LED voltage Vf (Vdc)	null
Dimmable	Yes
Dimming interface	Dimmer Integrated
Plug type	Type C
Batteries inside	No
Charging min time	No

Bulbs



NOT INCLUDED

RF25317

LED Opal Lamp E27 8W 3000K
A60 Dimmable

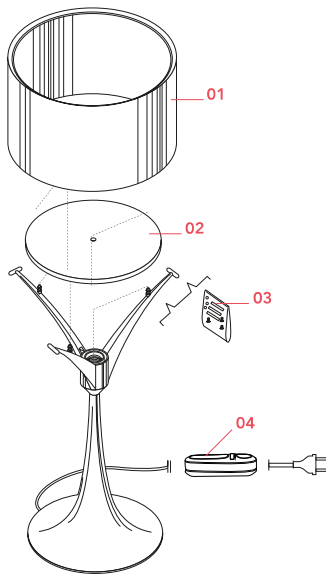


NOT INCLUDED

RF25323

LED Opal Lamp E27 8W 2700K
A60 Dimmable

Spare Parts



- 01. Spun Light T1 black diffusers RF11710
- 02. Spun Light Table 1 anti-glare glass RF11695
- 03. Bag with diffuser supports and o-ring RF6610100

DOWNLOAD



RF11710

Spun Light T1 black diffusers



RF11695

Spun Light Table 1 anti-glare glass



RF6610100

Bag with diffuser supports and o-ring