

FLOS

F3028000 White

Glo-Ball Ceiling 2

Designed by Jasper Morrison, 1999



Halogen - 150W

Ceiling mounted lamp providing diffused light. Diffuser consisting of an externally acidetched, hand blown, flashed opaline glass and of a die-cast aluminum threaded ring nut with alodine plating finish. 30% fiberglass reinforced injection-molded polyamide ceiling fitting; gray painted die-cast aluminum diffuser support.

Are you a professional and your project needs consulting and support?

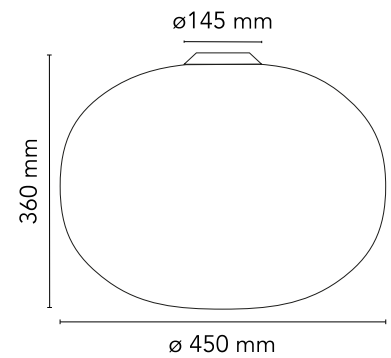
[BOOK AN APPOINTMENT](#)

Main specifications

EAN	8059607002469
Mounting	Ceiling
Environments	Indoor dry location
Light Source Type	Bulb
Lamp category	Halogen
Lamp holders	E27
Ilcos	HSGS
Number of heads	1
Power (W)	150

Physical

Colour	White
Net weight (kg)	3.77
Package volume (m3)	0.13
IP internal	40



Download

[Mounting instructions](#) PDF

[Spare Parts](#) PDF

Photometric Files

[LDT / IES](#) LDT

Technical Drawings

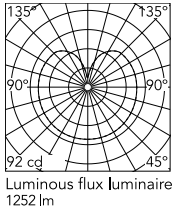
[2D](#) ZIP

[3D](#) ZIP

[Bim](#) ZIP



Schematic light drawing



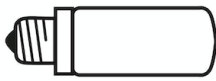
Photometric

Lighting type	Total
Light distribution	Roto symmetric

Electrical

Insulation class	II
Frequency (Hz)	50/60
Main voltage (Vac)	220-250
LED voltage Vf (Vdc)	null
Dimmable	Yes
Dimming interface	Remote Dimmable (Dimmer Not Included)
Batteries inside	No
Charging min time	No

Bulbs



NOT INCLUDED

RF26258

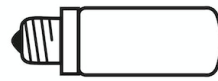
LED Lamp 18W E27 3000K T38
Dimmable



NOT INCLUDED

RF32288

LED Lamp E27 15W 2700K T38



NOT INCLUDED

RF26259

LED Lamp 18W E27 2700K
Dimmable

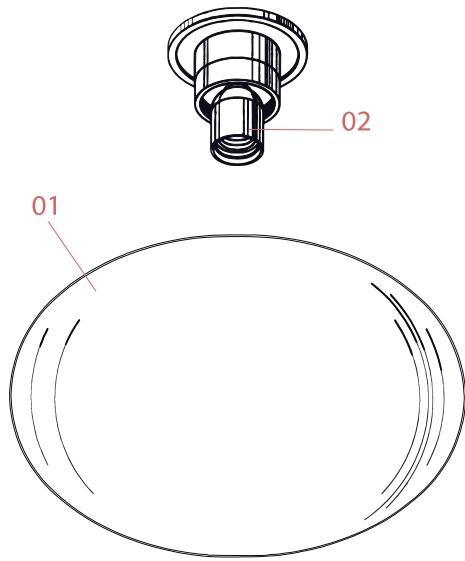


NOT INCLUDED

RF32289

LED Lamp E27 15W 3000K T38

Spare Parts



- | | | |
|-----|--|-----------|
| 01. | Glo-Ball 2 opal diffuser. Grey
Base | F3055061 |
| 02. | New version lamp holder | RF2500200 |

DOWNLOAD



F3055061

Glo-Ball 2 opal diffuser. Grey Base



RF2500200

New version lamp holder