

# FLOS

F1584057 Chrome

## Clessidra 40°+40°

Designed by Antonio Citterio, 2011

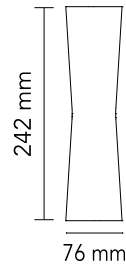


10W - 601lm - 3000K

Diffused direct/indirect-light wall lighting device. Body obtained by means of aluminium pressofusion and diffusers in PMMA. Aluminium wall attachment with cover in PA66. Available in white-painted or chrome-plated for indoor version and dark brown-painted or dark gray-painted for outdoor version. High-efficiency lenses specially designed for the application, non-replaceable. Wide range (100-240Volt) power pack integrated in the body. Level IP55

Are you a professional and your project needs consulting and support?

[BOOK AN APPOINTMENT](#)



### Main specifications

EAN	8059607001561
Mounting	Wall
Environments	Indoor dry location
Light Source Type	LED
LED type	LED array
Power (W)	10
System flux (lm)	601

### Physical

Colour	Chrome
Net weight (kg)	1.1
IP internal	55

### Download

[Mounting instructions](#)  PDF

[Spare Parts](#)  PDF

### Photometric Files

[LDT / IES](#)  LDT

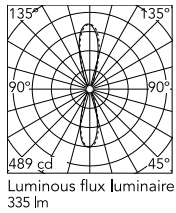
### Technical Drawings

[2D](#)  ZIP

[3D](#)  ZIP



## Schematic light drawing



Beam Angle: 32°

h(m)	E(lx)	D(m)
1	488	0.56
2	122	1.13
3	54	1.69
4	31	2.26
5	20	2.82

## Photometric

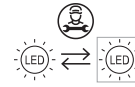
Lighting type	Indirect, Direct
Light distribution	Symmetric
CCT (K)	3000

## Electrical

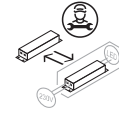
Insulation class	I
Frequency (Hz)	50/60
Main voltage (Vac)	100-240
Driver	Integrated
Dimmable	No
Dimming type	Non Dimmable
Dimming interface	Not Dimmable
Batteries inside	No
Charging min time	No

## Ecodesign and Energy Labelling

This product contains a light source of energy efficiency class E

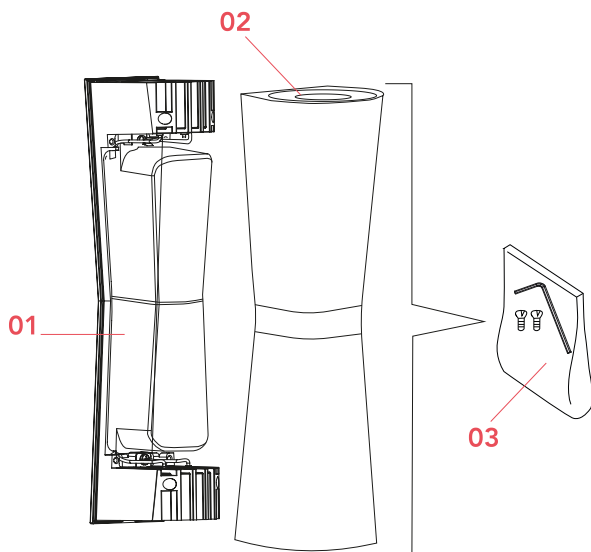


Replaceable (LED only) light source by a professional



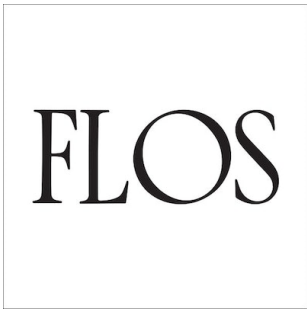
Replaceable control gear by a professional

## Spare Parts



- |     |  |           |
|-----|--|-----------|
| 01. | Wall attachment and internal lamp body 40°+40°       | F1582030  |
| 02. | Chrome external clessidra lamp body                  | F1580057  |
| 03. | Screws and tool kit for clessidra external lamp body | RF1580100 |

**DOWNLOAD**



F1582030

Wall attachment and internal lamp  
body 40°+40°



F1580057

Chrome external clessidra lamp  
body



RF1580100

Screws and tool kit for clessidra  
external lamp body