

FLOS

F1583057 Chrome

Clessidra 20°+20°

Designed by Antonio Citterio, 2011

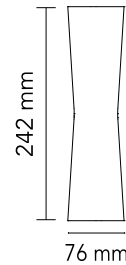


10W - 637lm - 3000K

Diffused direct/indirect-light wall lighting device. Body obtained by means of aluminium pressofusion and diffusers in PMMA. Aluminium wall attachment with cover in PA66. Available in white-painted or chrome-plated for indoor version and dark brown-painted or dark gray-painted for outdoor version. High-efficiency lenses specially designed for the application, non-replaceable. Wide range (100-240Volt) power pack integrated in the body. Level IP55

Are you a professional and your project needs consulting and support?

[BOOK AN APPOINTMENT](#)




Main specifications

EAN	8059607001516
Mounting	Wall
Environments	Indoor dry location
Light Source Type	LED
LED type	LED array
Power (W)	10
System flux (lm)	637

Physical

Colour	Chrome
Net weight (kg)	1.1
IP internal	55

Download

[Mounting instructions](#)  PDF

[Spare Parts](#)  PDF

Photometric Files

[LDT / IES](#)  LDT

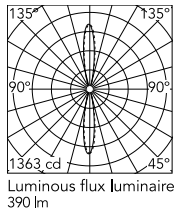
Technical Drawings

[2D](#)  ZIP

[3D](#)  ZIP



Schematic light drawing



Photometric

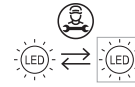
Lighting type	Indirect, Direct
Light distribution	Symmetric
CCT (K)	3000

Electrical

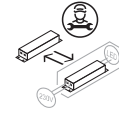
Insulation class	I
Frequency (Hz)	50/60
Main voltage (Vac)	100-240
Driver	Integrated
Dimmable	No
Dimming type	Non Dimmable
Dimming interface	Not Dimmable
Batteries inside	No
Charging min time	No

Ecodesign and Energy Labelling

This product contains a light source of energy efficiency class E

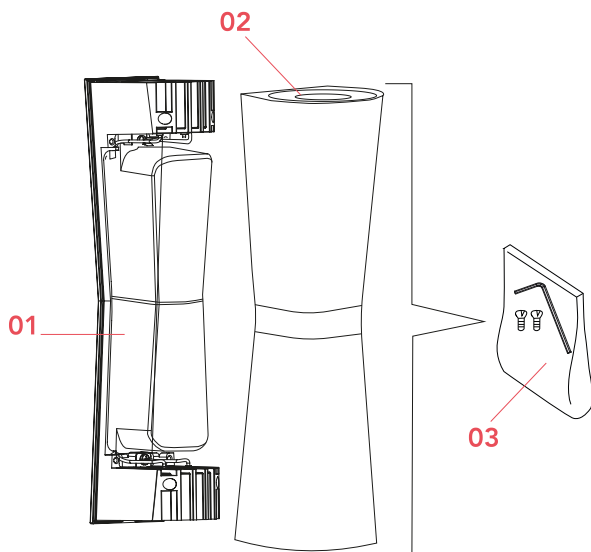


Replaceable (LED only) light source by a professional



Replaceable control gear by a professional

Spare Parts



- | | | |
|-----|--|-----------|
| 01. | Wall attachment and internal lamp body 20°+20° | F1581030 |
| 02. | Chrome external clessidra lamp body | F1580057 |
| 03. | Screws and tool kit for clessidra external lamp body | RF1580100 |

DOWNLOAD



F1581030
Wall attachment and internal lamp
body 20°+20°



F1580057
Chrome external Clessidra lamp
body



RF1580100
Screws and tool kit for Clessidra
external lamp body