

FLOS

F6307046 Aluminized Bronze

KTribe Wall

Designed by Philippe Starck, 2007

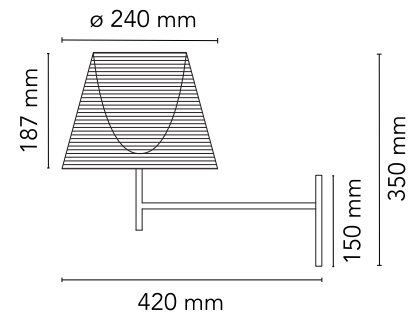


Halogen - 70W

Wall mounted fixture providing diffused lighting; a switch located near the diffuser allows for 4-level light adjustment via a "remote" dimmer. Cover rose in die-cast, polished and chrome-plated Zamak alloy. Arm and diffuser support in polished aluminum tube. Injectionmolded PC (polycarbonate) inner diffuser opal color. Outer diffusers in transparent or fumée PMMA (polymethylmethacrylate) and silver or bronze on the inner surface, by vacuum aluminum coating. Injection-molded PC (polycarbonate) upper ring, completely transparent, or transparent brown for the outer bronze diffuser.

Are you a professional and your project needs consulting and support?

BOOK AN APPOINTMENT



Main specifications

EAN	8059607006214
Mounting	Wall
Environments	Indoor dry location
Light Source Type	Bulb
Lamp category	Halogen
Lamp holders	E27
Ilcos	HSGS
Number of heads	1
Power (W)	70

Physical

Colour	Aluminized Bronze
Net weight (kg)	1.7
Package volume (m3)	0.05
IP internal	20

Download

Mounting instructions [↓ PDF](#)

Spare Parts [↓ PDF](#)

Photometric Files

LDT / IES [↓ LDT](#)

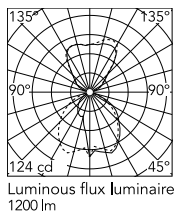
Technical Drawings

2D [↓ ZIP](#)

3D [↓ ZIP](#)



Schematic light drawing



Photometric

Lighting type	Indirect, Direct
Light distribution	Symmetric

Electrical

Insulation class	I
Frequency (Hz)	50/60
Main voltage (Vac)	220-240
LED voltage Vf (Vdc)	null
Dimmable	Yes
Dimming interface	Dimmer Integrated
Batteries inside	No
Charging min time	No

Bulbs



NOT INCLUDED

RF32564

LED Lamp 11.5W E27 220-240V
3000K A70



NOT INCLUDED

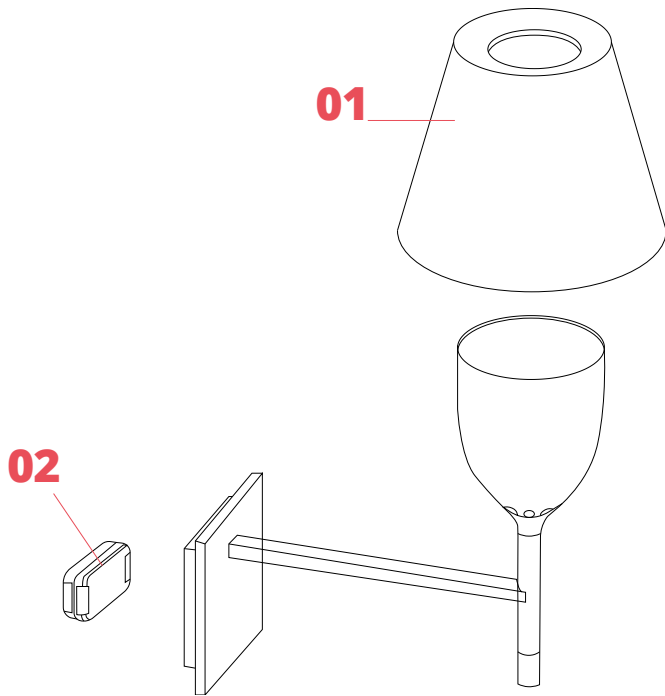
RF32563

LED Lamp 11.5W E27 220-240V
2700K A70

Spare Parts

01. KTribe Wall & Floor 1 aluminized bronze diffuser assembly RF6255006

DOWNLOAD





RF6255006

KTribe Wall & Floor 1 aluminized
bronze diffuser assembly