

FLOS

F6260000A Glass

Romeo Babe Wall

Designed by Philippe Starck, 1996



Halogen - 40W

Wall sconce providing diffused lighting. Acid-etched pressed borosilicate glass internal diffuser. Pressed clear glass shade. Gray painted die-cast aluminum diffuser and lamp support. Gray painted, injection-molded polycarbonate wall fitting and rose.

Are you a professional and your project needs consulting and support?

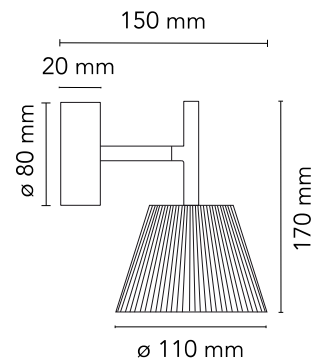
BOOK AN APPOINTMENT

Main specifications

EAN	8059607021613
Mounting	Wall
Environments	Indoor dry location
Light Source Type	Bulb
Lamp category	Halogen
Lamp holders	G9
Iicos	HSGS
Number of heads	1
Power (W)	40

Physical

Colour	Glass
Net weight (kg)	0.5
Package height (mm)	120
Package width (mm)	310
Package length (mm)	165
Package volume (m3)	0.01
IP internal	20



Download

Mounting instructions [↓ PDF](#)

Spare Parts [↓ PDF](#)

Photometric Files

LDT / IES [↓ LDT](#)

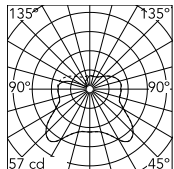
Technical Drawings

2D [↓ ZIP](#)

3D [↓ ZIP](#)



Schematic light drawing



Photometric

Lighting type	Indirect, Direct
Light distribution	Symmetric

Electrical

Insulation class	II
Frequency (Hz)	50/60
Main voltage (Vac)	220-250
LED voltage Vf (Vdc)	null
Dimmable	Yes
Dimming interface	Remote Dimmable (Dimmer Not Included)
Batteries inside	No
Charging min time	No

Bulbs



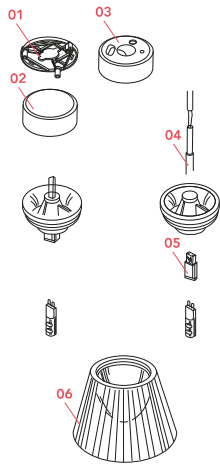
NOT INCLUDED

RF18863

Halogen Lamp G9 33W 2700K

HALOPIN Dimmable

Spare Parts



- | | | |
|-----|-------------------------|-----------|
| 01. | W base wall mount | RF16369 |
| 02. | W ceiling rose | RF12715 |
| 05. | Ceramic G9 lamp holder | RF18861 |
| 06. | Glass diffuser assembly | RF6120100 |

DOWNLOAD



RF16369

W base wall mount



RF12715

W ceiling rose



RF18861

Ceramic G9 lamp holder



RF6120100

Glass diffuser assembly