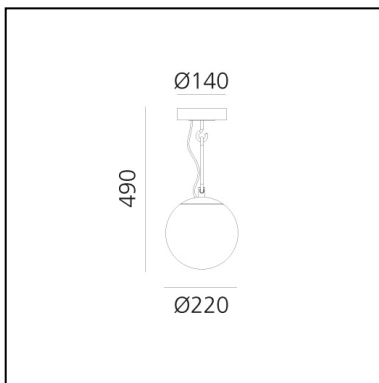


# nh 22 Ceiling

Neri&Hu



IP20    Regulable: 



## LUMINARIA

- Potencia (W): **13W**
- Tensión de alimentación: **220-240V**
- Flujo Luminoso (lm): **1142lm**
- Efficiency: **75%**
- Efficacy: **87.83lm/W**
- CRI: **80**

## ESPECIFICACIONES

nh continues the study on the dynamic interaction of expertise, details, materials, form, and light that Neri&Hu are developing with Artemide. The selected materials represent a perfect combination of tradition and innovation, as well as the expression of responsible and sustainable design, also conveyed by the use of a lowconsumption retrofit LED source. Like all the projects designed by Neri&Hu, nh offers a reinterpretation of the Oriental culture and tradition with a constant contemporary approach. With surprising lightness and elementary movements nh creates a landscape of elements generating – either individually or combined with each other – a non-static balanced composition characterized by elegant colour and material matching.

**CÓDIGO PRODUCTO: 1285010A**

## CARACTERÍSTICAS

- Código del artículo: **1285010A**
- Color: **Black/brass**
- Instalación: **Techo**
- Material: **Blown glass, brushed brass**
- Serie: **Design Collection**
- Entorno de uso: **Interior**
- diseño: **Neri&Hu**

## DIMENSIONES

- Altura: **cm 49**
- Diámetro: **cm 22**
- Diámetro base: **cm 14**

## FUENTES DE LUZ NON INCLUIDAS

- Categoría: **LED RETROFIT**
- Numero: **1**
- Potencia (W): **15W**
- Soporte: **E27**