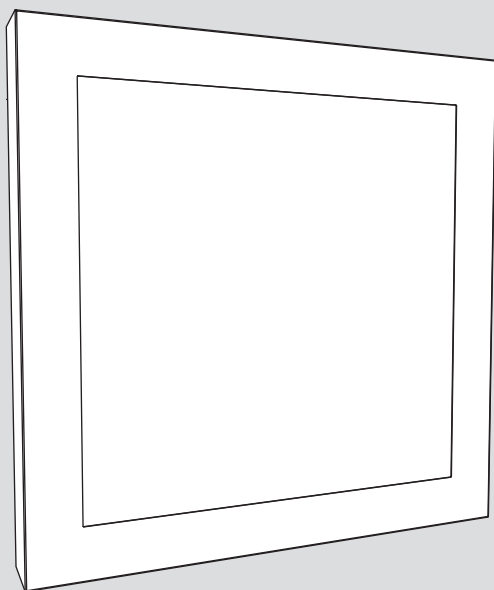


# Artemide®

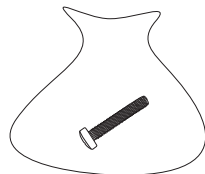
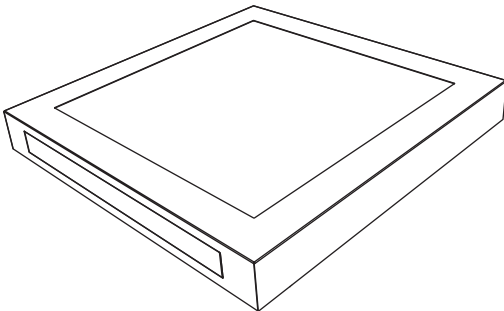
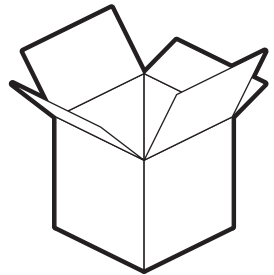
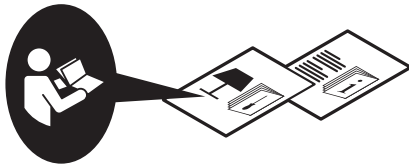
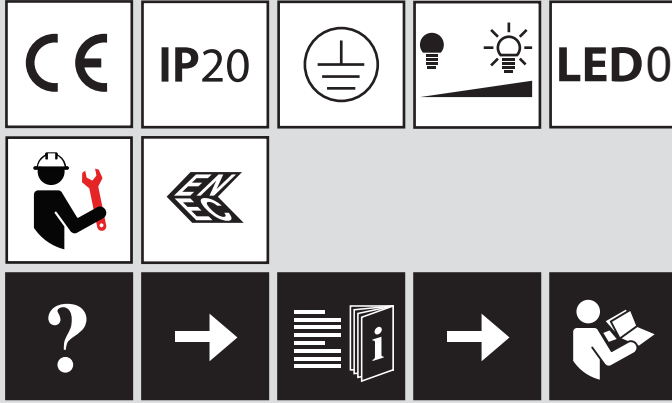
## Altrove 600 Led

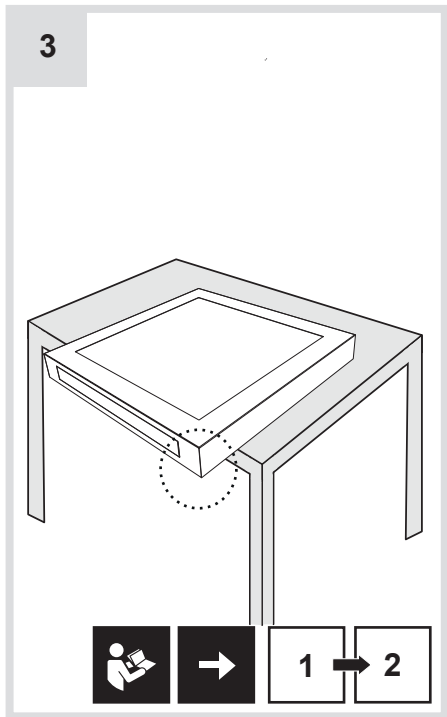
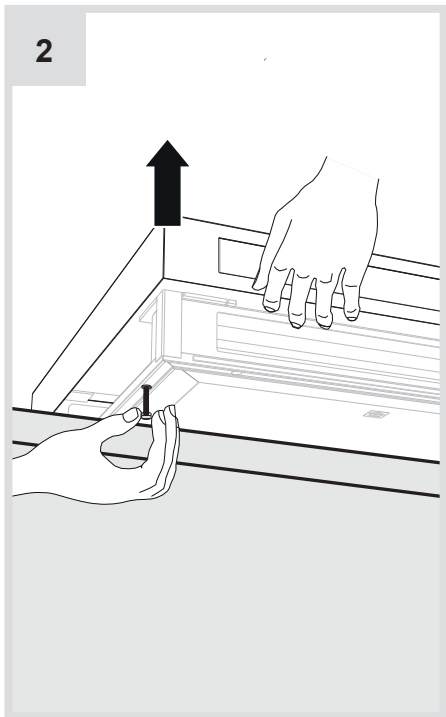
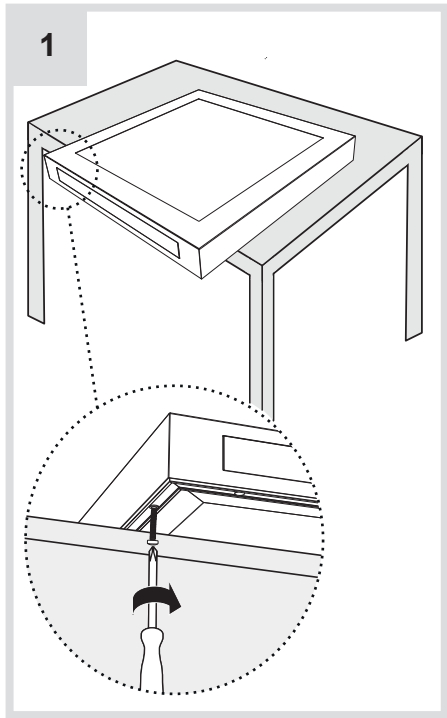
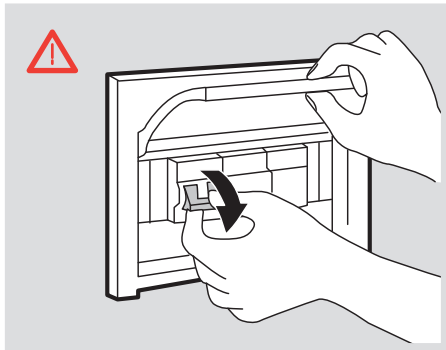
design  
Carlotta de Bevilacqua



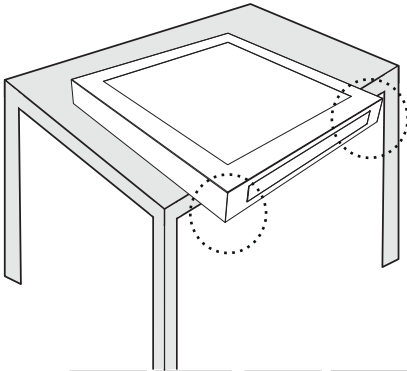


i

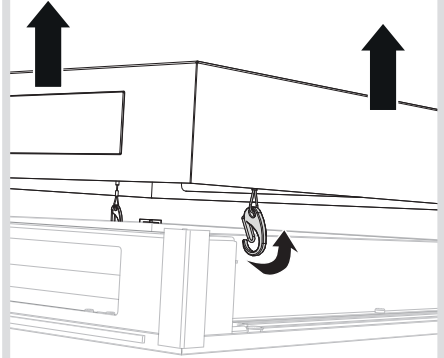




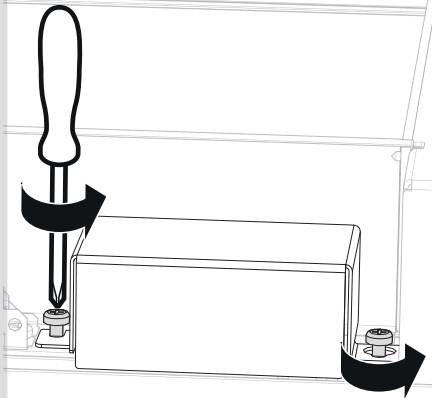
4



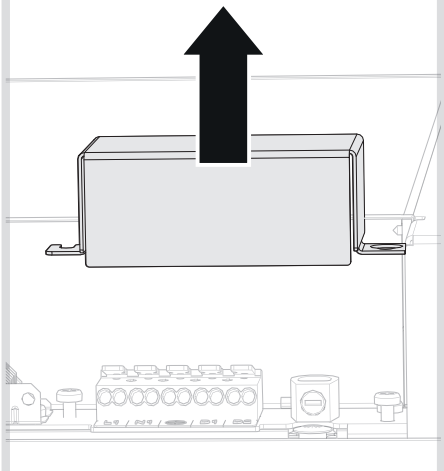
5



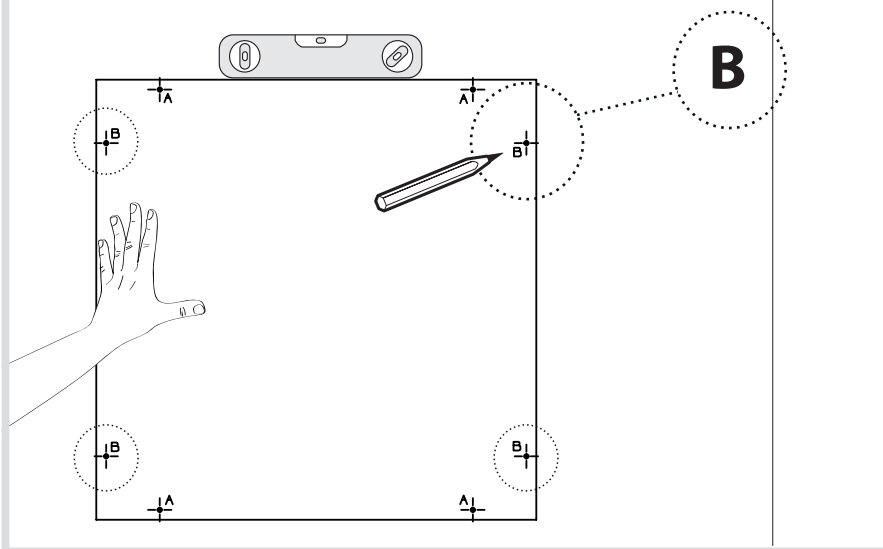
6



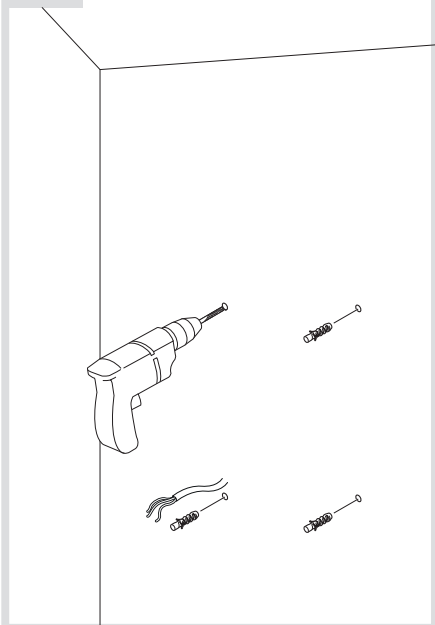
7



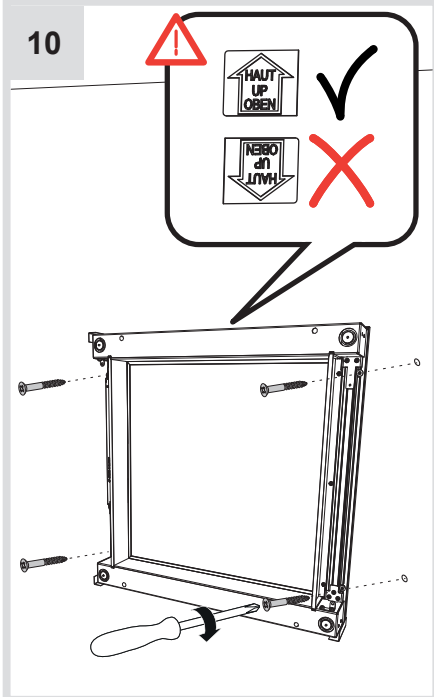
8



9



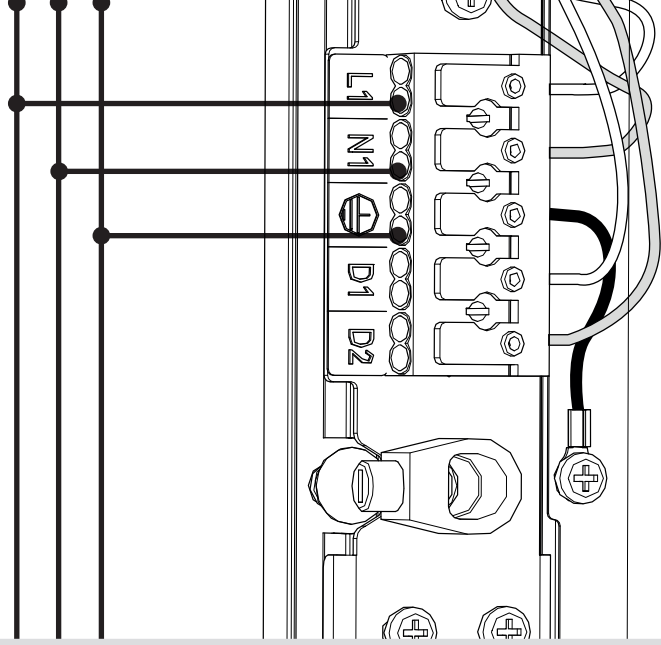
10



11a



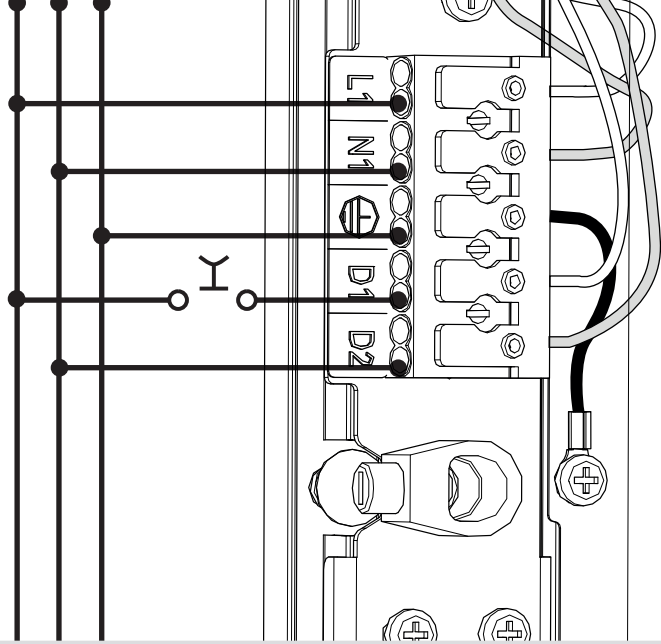
L N

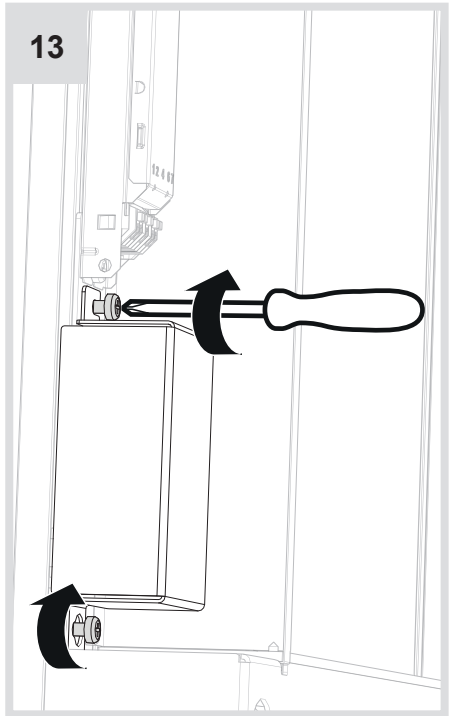
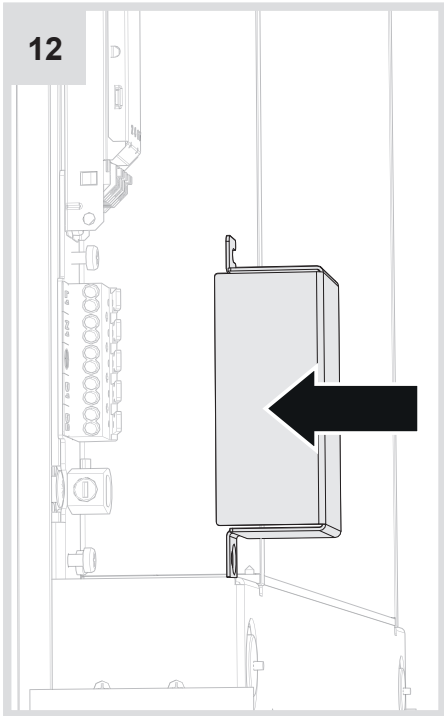
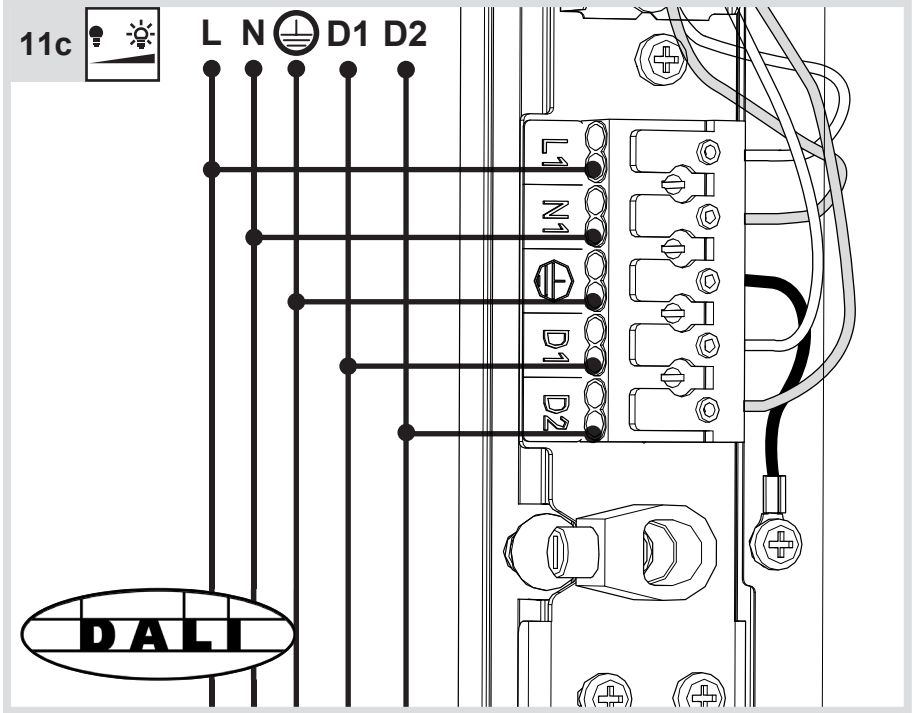


11b

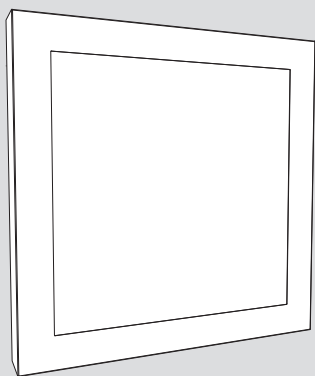
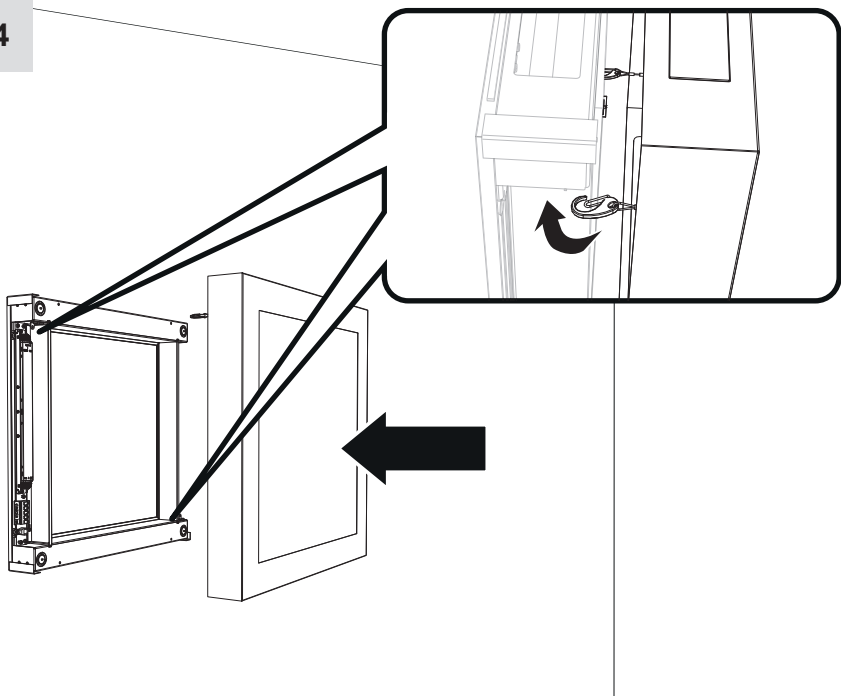


L N





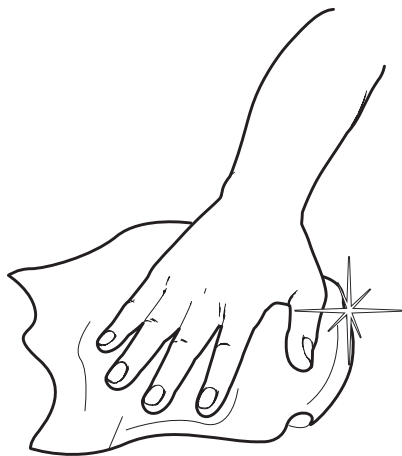
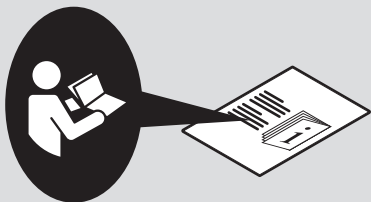
14



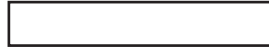








**Artemide®**



**Artemide**

via Bergamo, 18  
20010 Pregnana M.se (MI)  
ITALIA

tel. +39 02 935 181  
fax +39 02 935 90 254  
fax +39 02 935 90 496

[www.artemide.com](http://www.artemide.com)

VAT IT00846890150

cod. Y513000785C