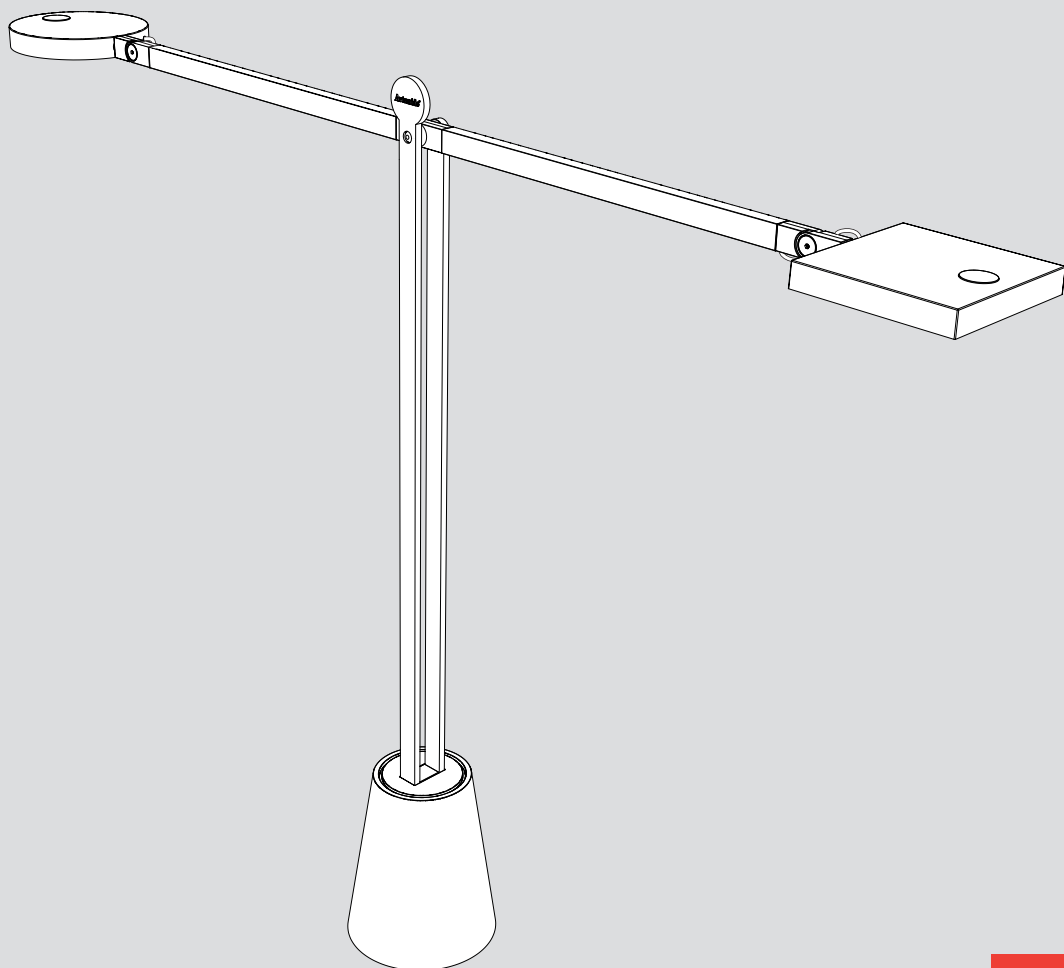


Artemide®

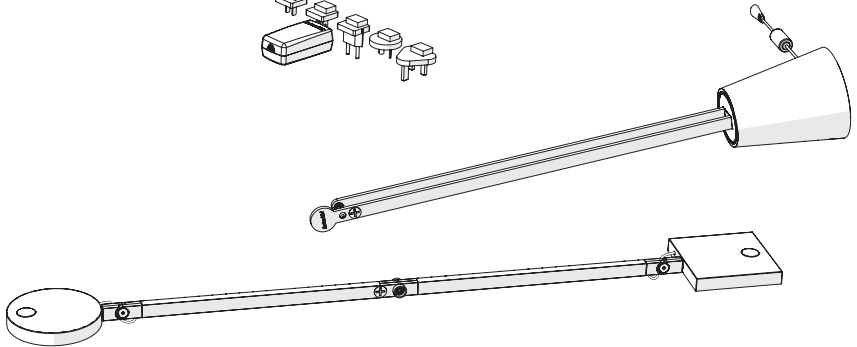
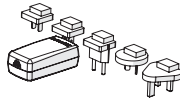
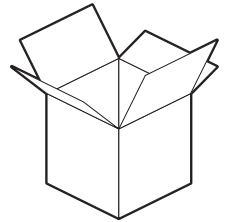
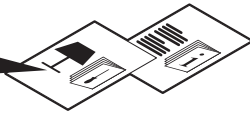
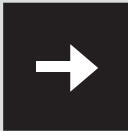
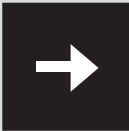
Equilibrist

design
J. Nouvel

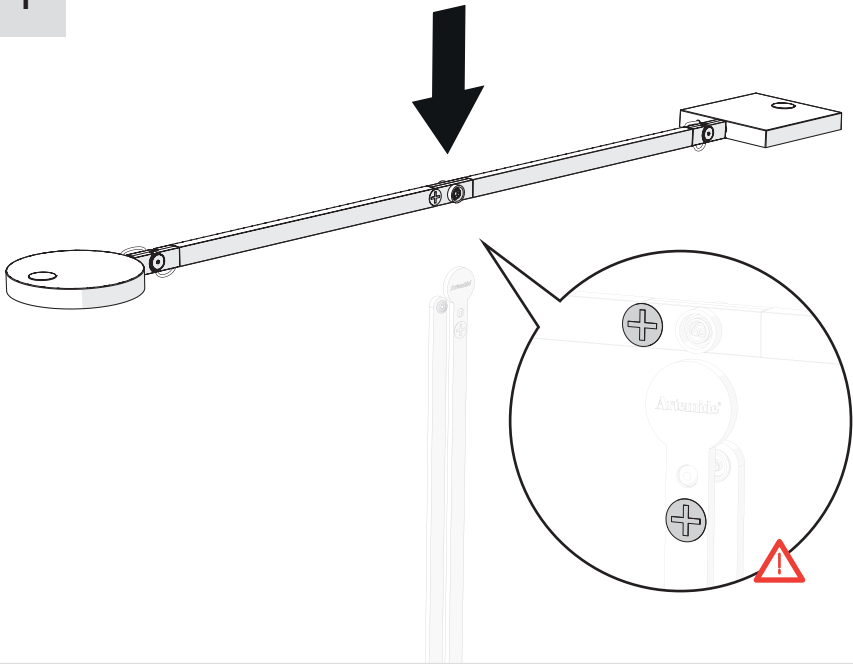




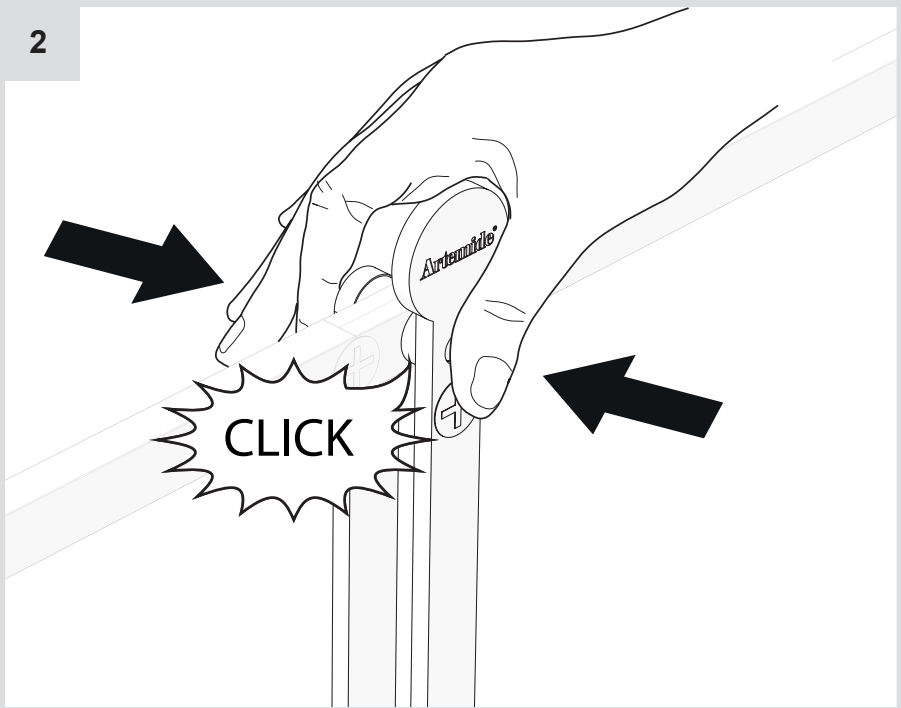
i



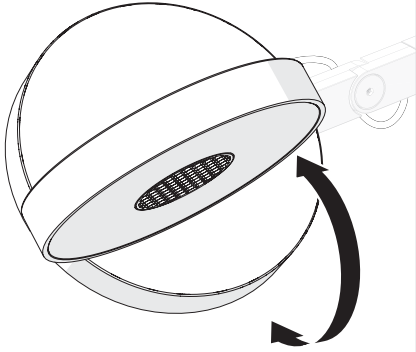
1



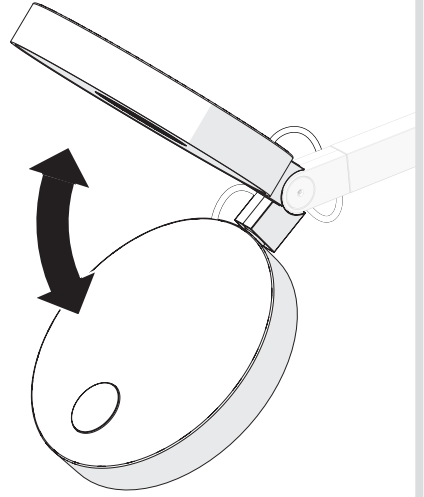
2



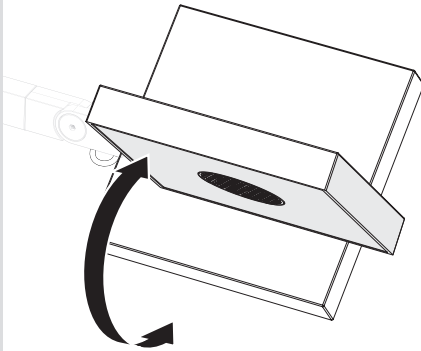
i



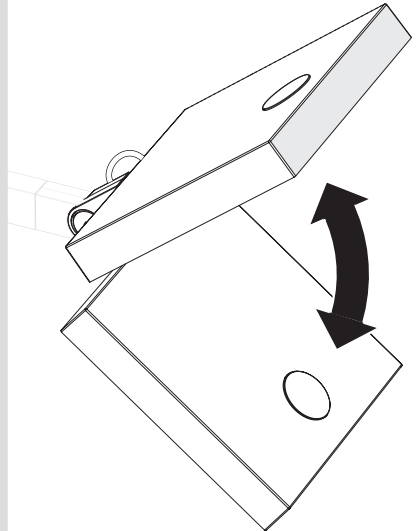
i



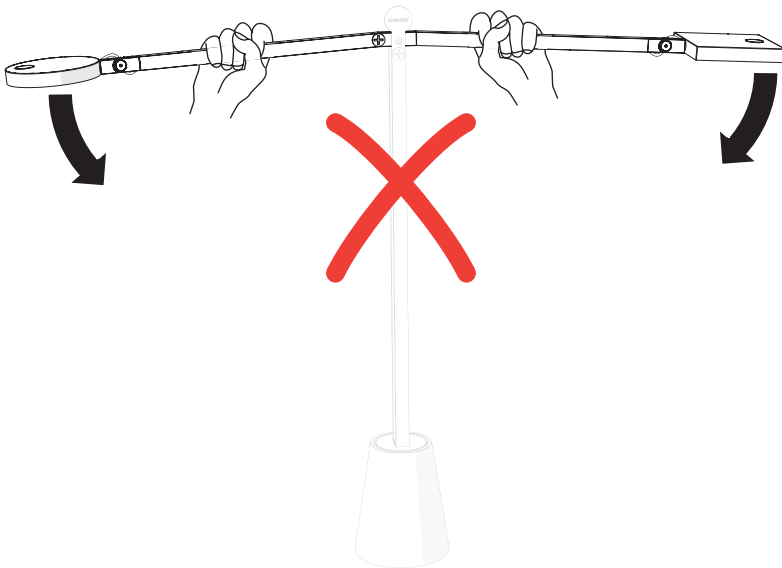
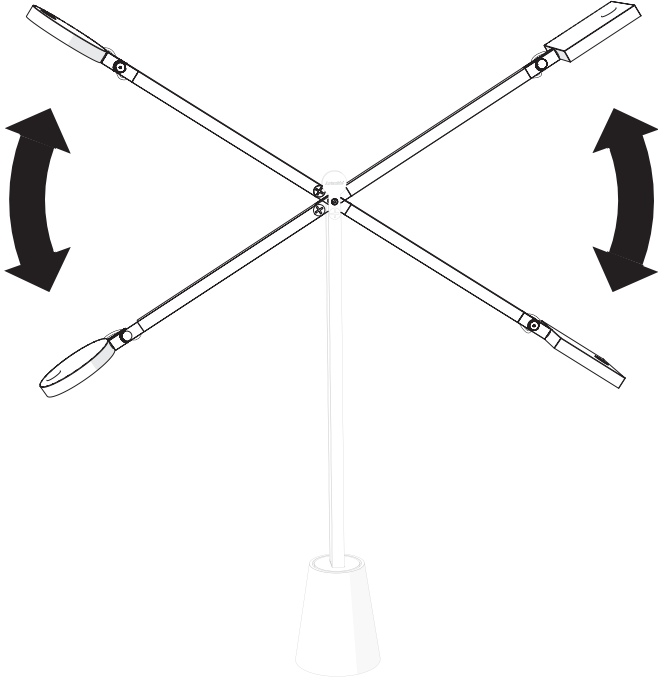
i

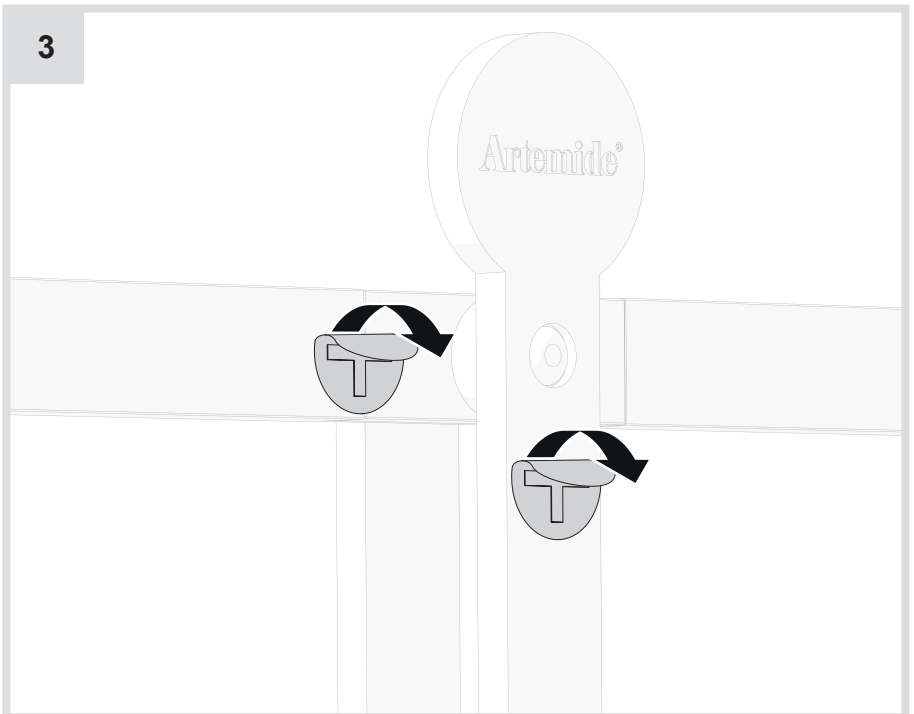
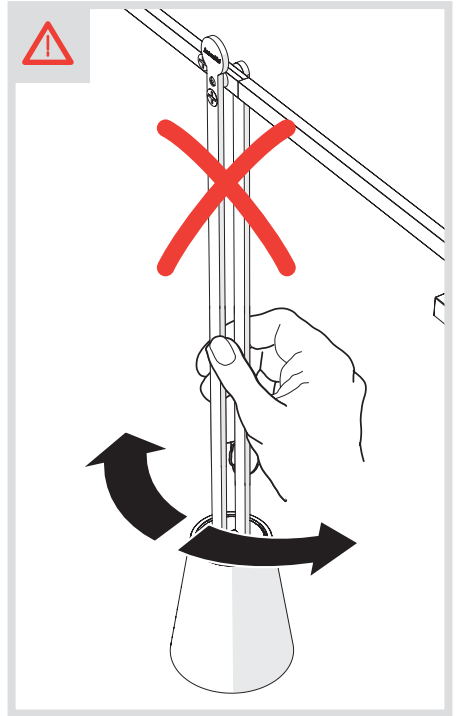
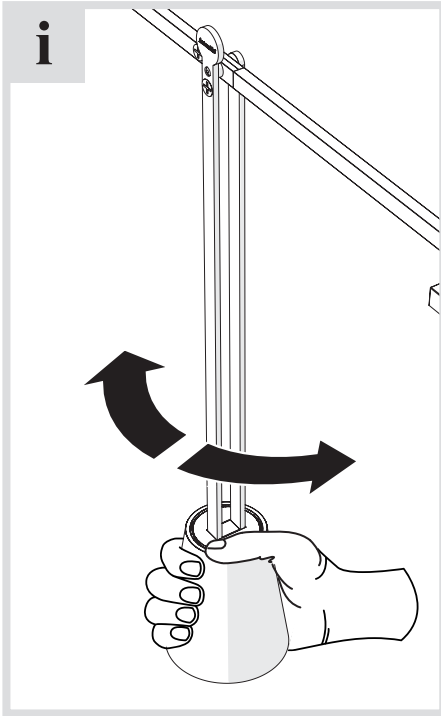


i



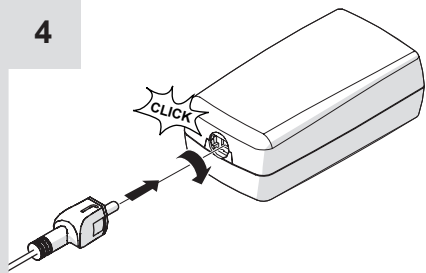
i



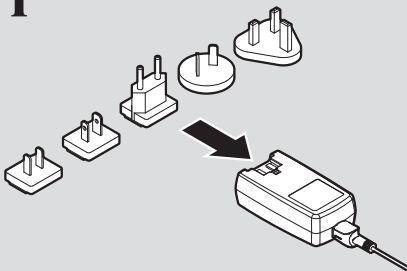




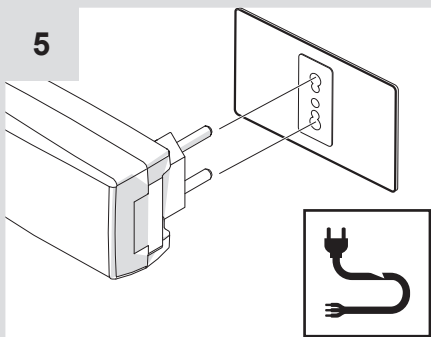
4



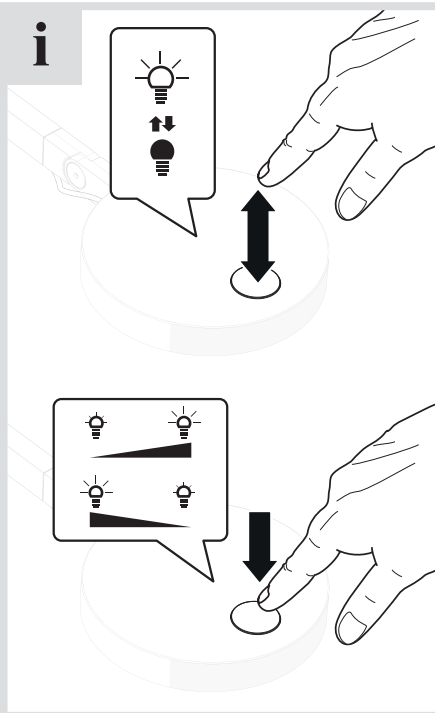
i



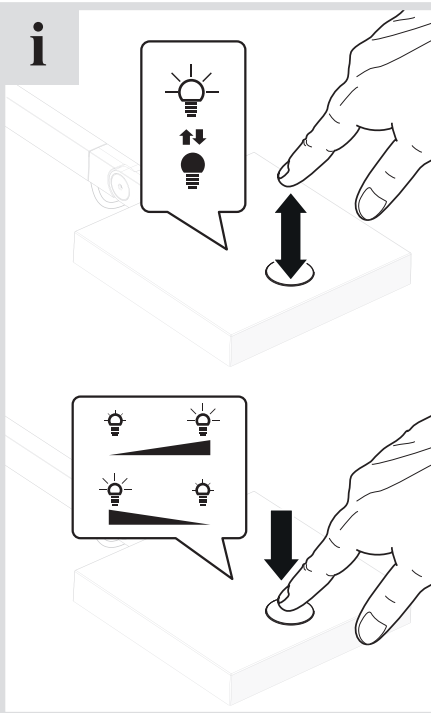
5

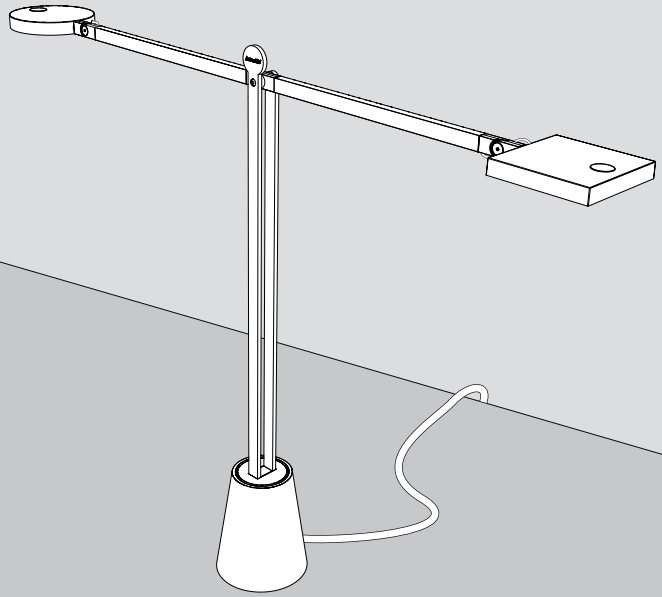


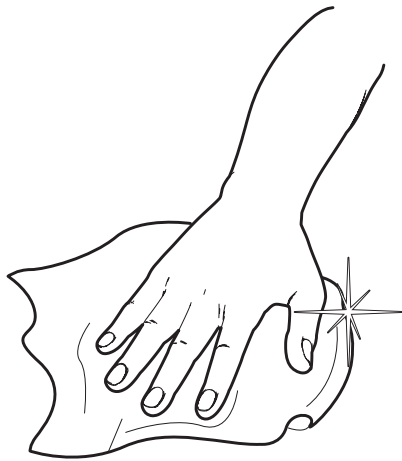
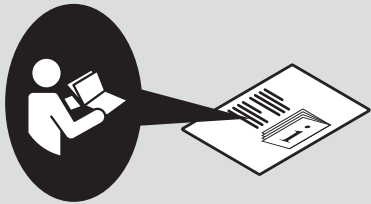
i



i







Artemide®



Artemide

via Bergamo, 18
20010 Pregnana M.se (MI)
ITALIA

tel. +39 02 935 181
fax +39 02 935 90 254
fax +39 02 935 90 496

www.artemide.com

VAT IT00846890150

cod. Y513000292