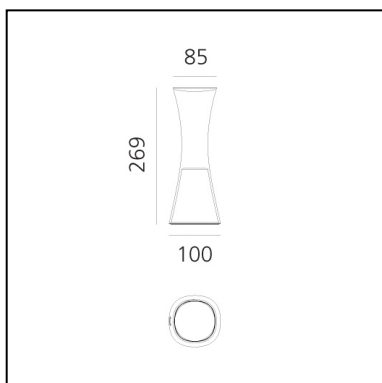


Come together - 2700K - White

Carlotta de Bevilacqua



IP20  



LUMINARIA

- Potencia (W): **2,4W**
- Flujo Luminoso (lm): **282lm**
- CCT: **2700K**
- Efficiency: **85%**
- Efficacy: **141.18lm/W**
- CRI: **80**

Notas

USB-C port. Li-Po rechargeable battery. Up to 16 hrs battery life. Three different light performances. Max illuminance 1000 lx on task area. Very high efficiency 85%. Smart portability (400 g). Light collimation on white diffuser. Light collimation through a primary optical TIR lens and a secondary internal white reflector.

ESPECIFICACIONES

1999 Sui: "18 portable and rechargeable LEDs. It's a revolution" 2018 Come together: "A perfect light and up to 16 hours of operation without mains power. A new 2.0 revolution." Carlotta de Bevilacqua "Artemide sets light free" in 1999 with Sui. Today we can all create our own light in our space, wherever it is, with high lighting performances comparable to traditionally powered lamps, as well as long-term independence from mains power. For optical and grabbing purposes, the profile of Come together is shaped like an instrument capable to accompany man through space. The body is a transparent optical device with gradients to carry and distribute light: it works as an "empty" light pipe for lightness and optical intelligence.

CÓDIGO PRODUCTO: 0165W10A

CARACTERÍSTICAS

- Código del artículo: **0165W10A**
- Color: **White**
- Instalación: **Sobremesa**
- Material: **Methacrylate, aluminum**
- Serie: **Design Collection**
- Entorno de uso: **Interior**
- diseño: **Carlotta de Bevilacqua**

DIMENSIONES

- Longitud: **cm 10**
- Altura: **cm 26.9**
- Peso: **kg 0.4**

FUENTES DE LUZ INCLUIDAS

- Categoría: **Led**
- Numero: **1**
- Potencia (W): **3,6W**
- Flujo Luminoso (lm): **360lm**
- CRI: **80**