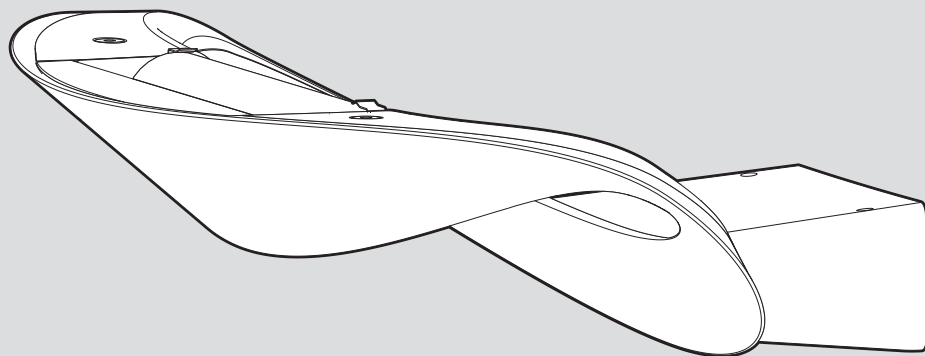


Artemide®

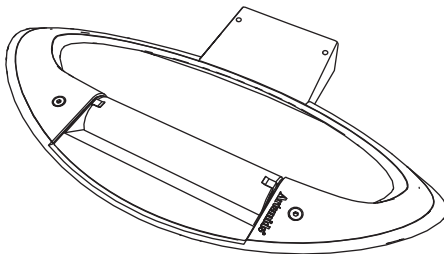
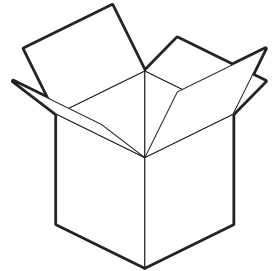
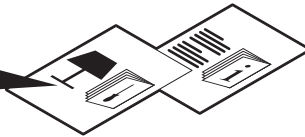
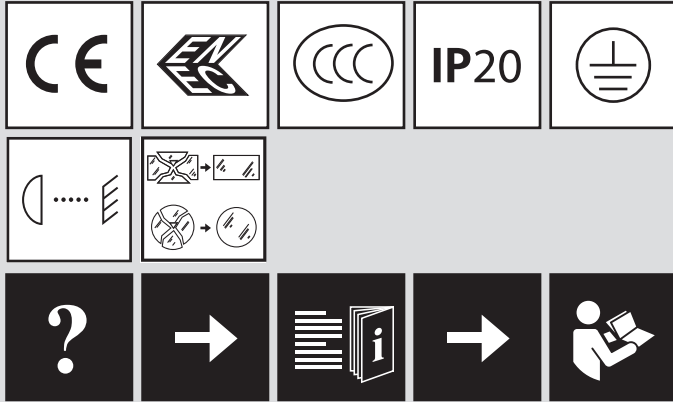
Mesmeri

design
E. Solé

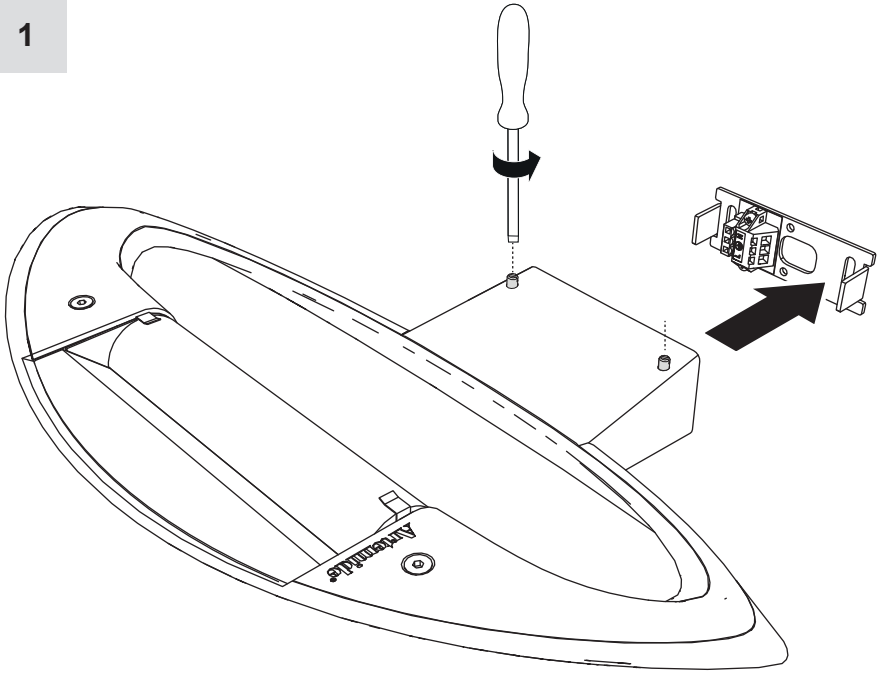




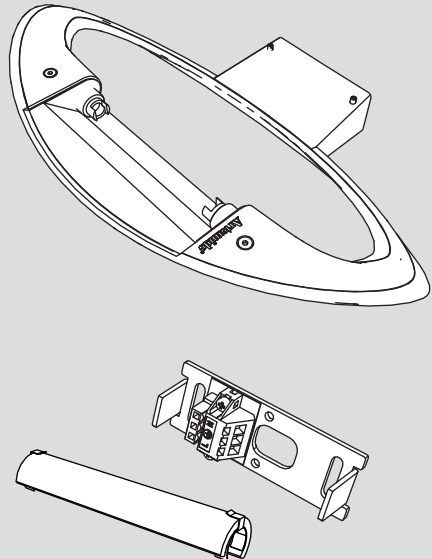
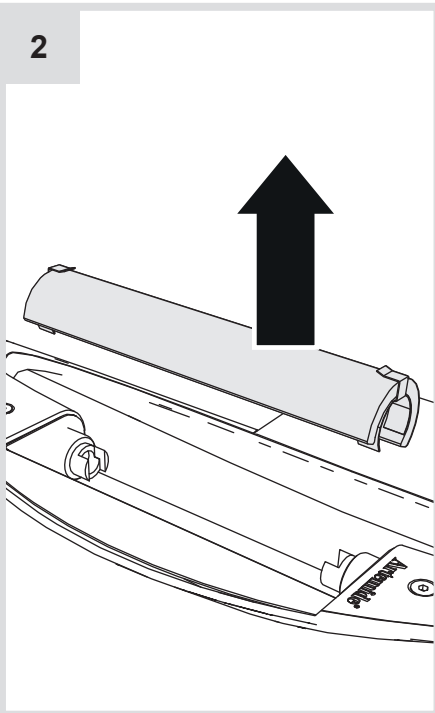
i

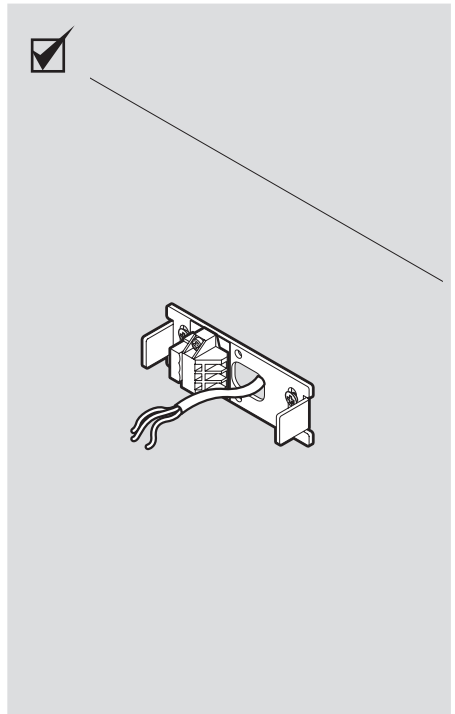
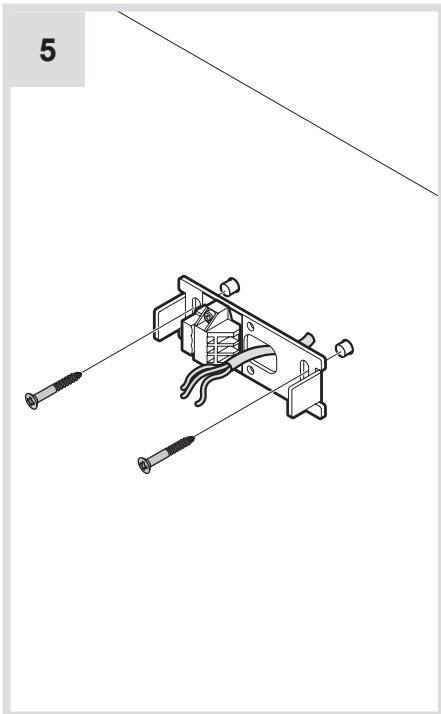
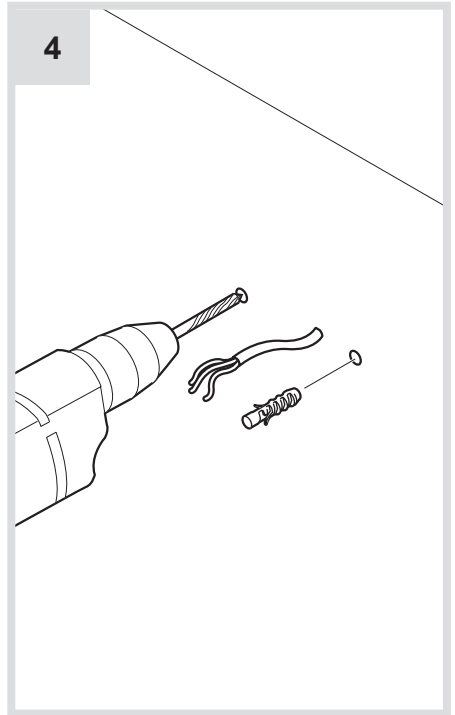
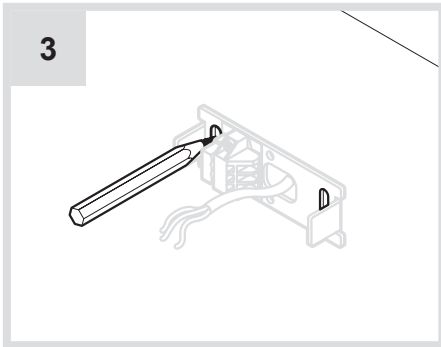
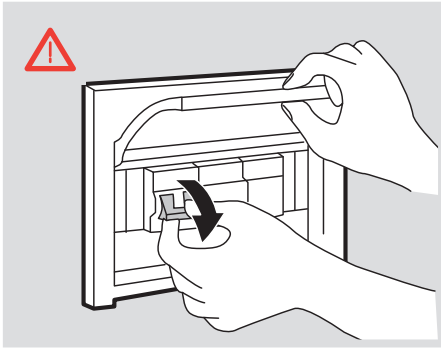


1

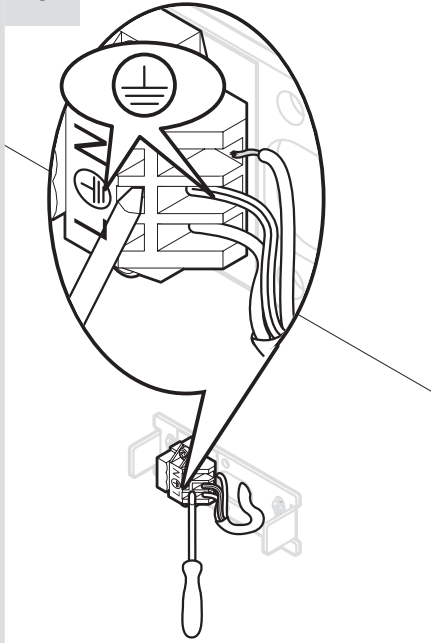


2

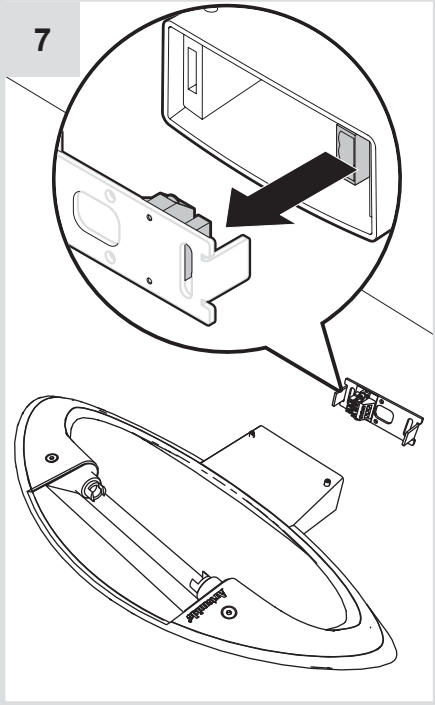




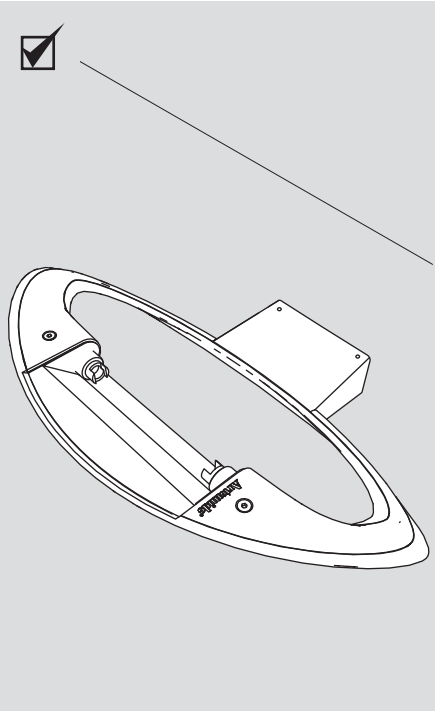
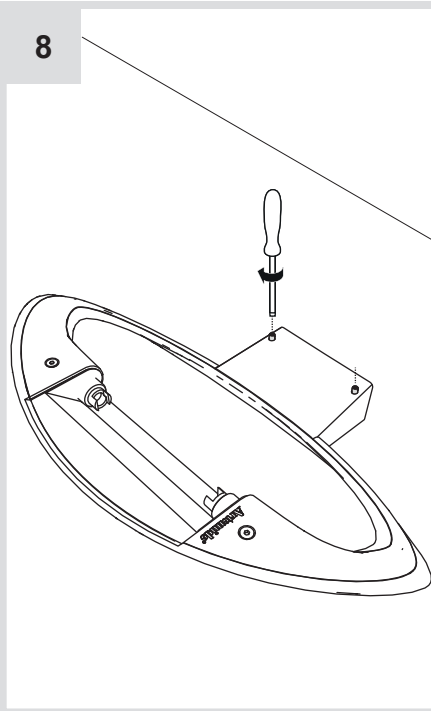
6



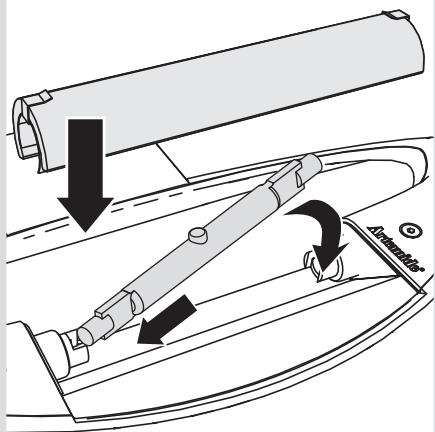
7



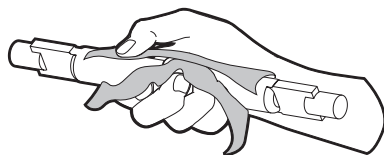
8



9a

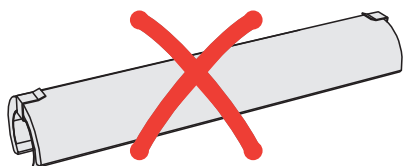
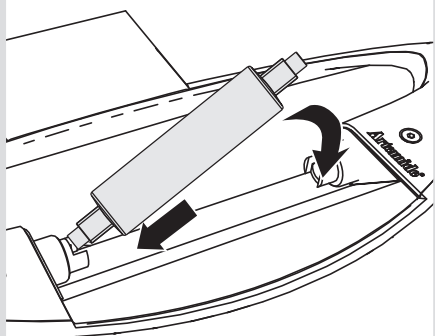


Halo



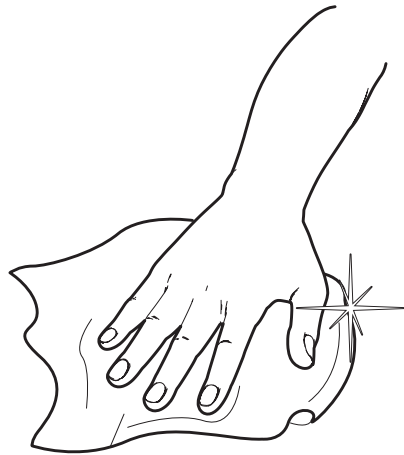
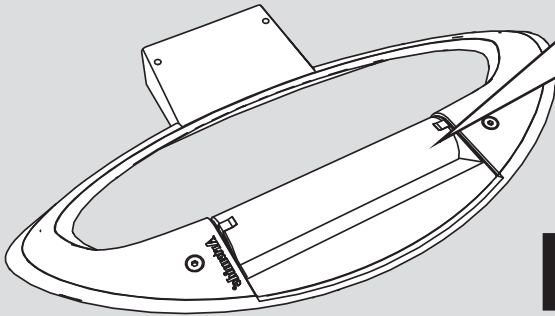
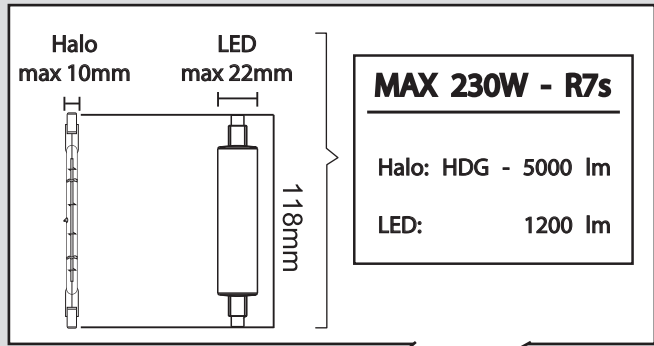
Halo

9b



LED

i



Artemide®



Artemide

via Bergamo, 18
20010 Pregnana M.se (MI)
ITALIA

tel. +39 02 935 181
fax +39 02 935 90 254
fax +39 02 935 90 496

www.artemide.com

VAT IT00846890150

cod. Y513000554A