

NIT A-3520

wall light

Date	Type
Project	
Location	
Model #	Quantity
Specifier	

Description

Metallic wall light with a wooden shelf.
Adjustable reading arm.
2 Amp USB charger.
On/off switch at the bottom of the shelf.



Pictures above might not show the specified dimensions or material. They are for illustration purposes only.



Ordering information

Product Code	Lamp	Shelf
A-3520	LED 1W (led included) E (3000K / Ang 60° / >80 CRI / 350mA) 100V - 240V / Typ* 123 lumens On/Off switch	<ul style="list-style-type: none"> 26 BLK Black 74 WH White CUSTOM

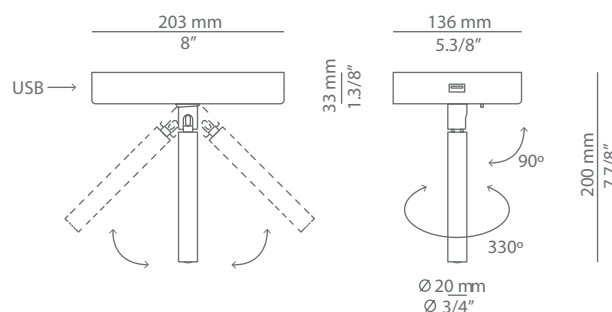
Product includes

Code	Description
A-3520	1 nit wall light
113520XX0	1 top shelf

SPECIAL REQUIREMENTS

Custom finishes and versions

We offer custom shelf material and RAL finishes.
Alternate lamping and versions available for projects. Consult our offices.



Special instructions



ESTILUZ, S.A.
Carretera d'Ogassa, s/n
17860 Sant Joan de les Abadesses
T+34 972 720 125
F+34 972 720 796

estiluz@estiluz.com
www.estiluz.com