

BOLS

P-4028X

floor lamp

Date	Type
Project	
Location	
Model #	Quantity
Specifier	

Description

Aluminium floor lamp with polyethylene shade and integrated dimmable LED. Double layer coating for high resistance to corrosion and other maritime environmental conditions. Possibility of adding a tray to use as a table.





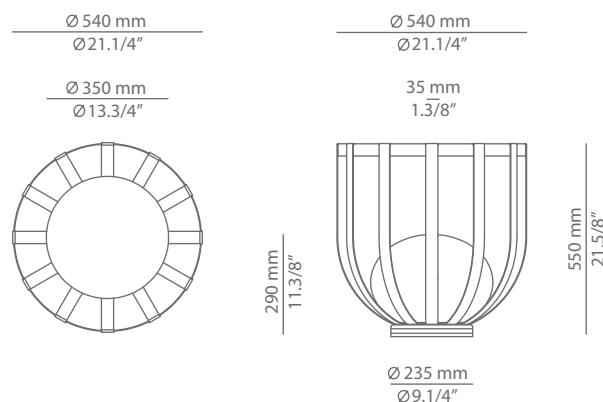
Pictures above might not show the specified dimensions or material. They are for illustration purposes only.

Ordering information

Product Code	Lamp	Finish
P-4028X	LED 10W (led included) (2700K / Ang 120° / >90 CRI) / 230V / Typ* 730 lumens Dimmable Triac	<ul style="list-style-type: none"> 96 BLK ANT Black Anthracite 55 BG Beige 78 OX RD Oxide Red CUSTOM

Accessories

Code	Description	Finish
124028XX2	Table kit (table top included) Ø 555 mm Ø 21.7/8"  74 mm 2.7/8"	<ul style="list-style-type: none"> 96 BLK ANT Black Anthracite 55 BG Beige 78 OX RD Oxide Red CUSTOM
124027XX4	Bolt down floor base kit (aluminium base)  Ø 350 mm Ø 13.3/4"	<ul style="list-style-type: none"> 96 BLK ANT Black Anthracite 55 BG Beige 78 OX RD Oxide Red CUSTOM



SPECIAL REQUIREMENTS

Custom finishes and versions

We offer custom plated or RAL finishes and shades. Alternate lamping and sizes available for projects. Consult our offices.

Special instructions