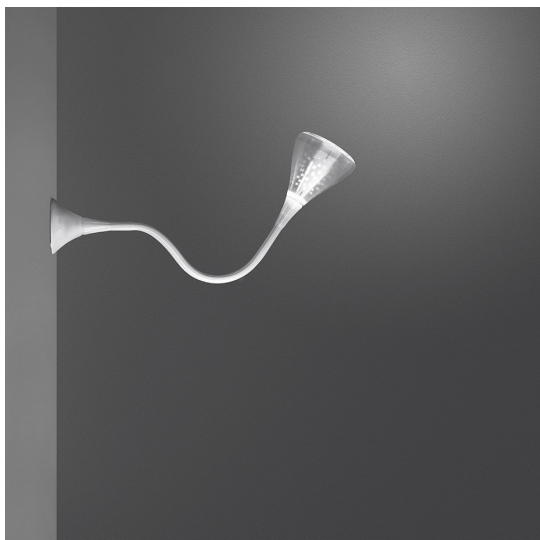
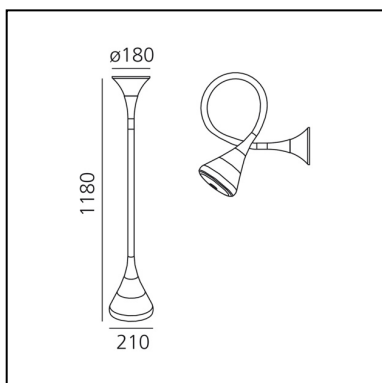


# Pipe Wall/Ceiling White Integralis

Herzog & de Meuron



IP20  Regulable: 



## LUMINARIA

### DAY MODE

- Potencia (W): **27W**
- Tensión de alimentación: **220-240V**
- Flujo Luminoso (lm): **2143lm**
- Flujo Radiante: **1449mW**
- CCT: **5000K**
- Efficiency: **67%**
- Efficacy: **79.37lm/W**
- CRI: **90**
- Dimmable Typology: **Push**

## ESPECIFICACIONES

Flexible painted steel structure, covered with a natural anti-yellowing silicone case; ceiling rose and diffuser in transparent rubber-effect painted polycarbonate; mirror aluminium reflector with random perforations; painted steel bottom plate. The new internal diffuser is reinterpreting the old fluorescent lamp using a modern LED source, this guarantees the same optical performance with less power consumption and a better quality of light.

In the WHITE INTEGRALIS version, Pipe is designed to offer a white emission ensuring perfect perception while respecting the human presence and which at the same time combines control of microbial growth. It can vary in intensity and is available with a fixed CCT of 5000K, with a high color rendering index (CRI 90).

**CÓDIGO PRODUCTO: 0671010IN0A**

## CARACTERÍSTICAS

- Código del artículo: **0671010IN0A**
- Color: **Transparente**
- Instalación: **TechoPared**
- Material: **Polycarbonate, steel, silicon**
- Serie: **Design Collection**
- Entorno de uso: **Interior**
- diseño: **Herzog & de Meuron**

## DIMENSIONES

- Altura: **cm 118**
- Diámetro: **cm 21**
- Diámetro base: **cm 18**
- Resistencia al impacto: **IK6**
- Prueba calorífica: **960°**

## FUENTES DE LUZ INCLUIDAS

- Categoría: **Led**
- Numero: **1**
- Temperatura de Color (K): **5000K**
- CRI: **90**
- Color Tolerance: **3SDCM**
- Service Life: **L80 (10K) 55000h**