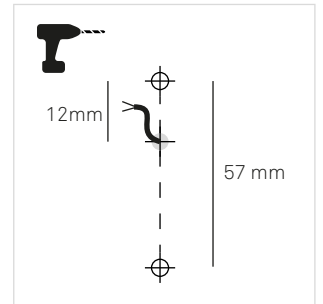


PIPE

WALL



1. Turn the switch OFF. Use a screwdriver to unscrew the top cap of the pipe fixture.

2. Connect the power wires (L, N, and ground) to the terminals on the back of the fixture.

3. Tighten the terminal cover with a screwdriver.

4. Turn the pipe fixture around so the front is facing the wall.

5. Insert two GU10 spotlights into the top and bottom of the fixture.

6. Push the bottom spotlight up until it clicks into place.

7. Push the top spotlight up until it clicks into place.

8. Turn the switch ON. The fixture is now installed and illuminated.

