

MAINE T-3415LS

suspension lamp

Date	Type
Project	
Location	
Model #	Quantity
Specifier	

Description

Metallic pendant providing direct light.
Acrylic bottom diffuser.
Textile covered electrical cord.
Adjustable height.
Can be used in sloped ceilings.



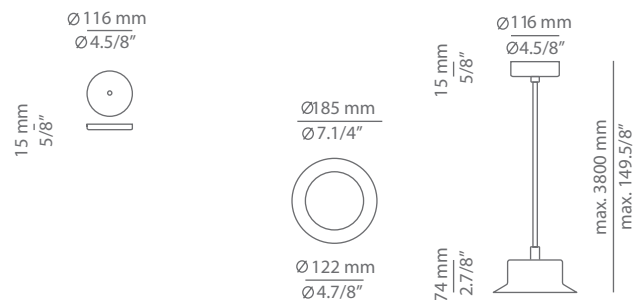
Pictures above might not show the specified dimensions or material. They are for illustration purposes only.

Ordering information

Code	Lamp	Canopy	Finish
■ T-3415LS	LED 10W (led included) (2700K / Ang 120° / >80 CRI) 230V / Typ* 870 lumens Dimmable Triac	■ 26 BLK Black ■ 71 WH White	■ 20 GLD M Gold Matt ■ 26 BL Black ■ 45 CP M Copper Matt ■ CUSTOM

Product includes

Code	Description
113416XX0	1 surface canopy for 1 single pendant
T-3415LS	1 maine pendant with textile cable



SPECIAL REQUIREMENTS

Custom versions

We offer custom plated or RAL finishes.

Alternate lamping and sizes available for projects.

Standard compositions bellow, other compositions available with multiple canopies. Consult our offices.

Special instructions

MAINE T-3416LS

suspension lamp

Date	Type
Project	
Location	
Model #	Quantity
Specifier	

Description

Metallic pendant providing direct light.
Acrylic bottom diffuser.
Textile covered electrical cord.
Adjustable height.
Can be used in sloped ceilings.



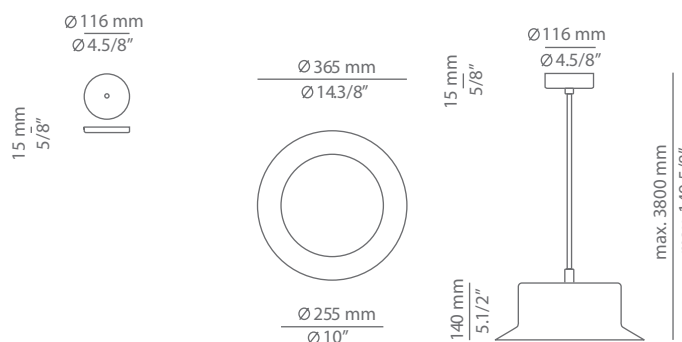
Pictures above might not show the specified dimensions or material. They are for illustration purposes only.

Ordering information

Code	Lamp	Canopy	Finish
■ T-3416LS	LED 15W (led included) (2700K / Ang 120° / >80 CRI) 230V / Typ* 1245 lumens Dimmable Triac	■ 26 BLK Black ■ 71 WH White	■ 20 GLD M Gold Matt ■ 26 BL Black ■ 45 CP M Copper Matt ■ CUSTOM

Product includes

Code	Description
113416XX0	1 surface canopy for 1 single pendant
T-3416LS	1 maine pendant with textile cable



SPECIAL REQUIREMENTS

Custom versions

We offer custom plated or RAL finishes.

Alternate lamping and sizes available for projects.

Standard compositions bellow, other compositions available with multiple canopies. Consult our offices.

Special instructions



ESTILUZ, S.A.
Carretera d'Ogassa, s/n
17860 Sant Joan de les Abadesses
T +34 972 720 125
F +34 972 720 796

estiluz@estiluz.com
www.estiluz.com

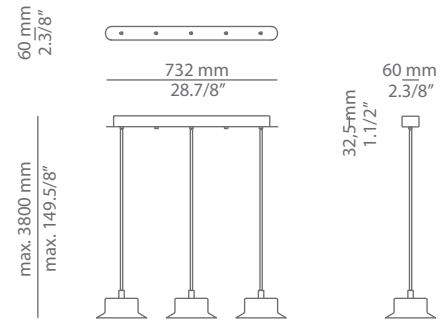
MAINE T-3415LC

suspension lamp

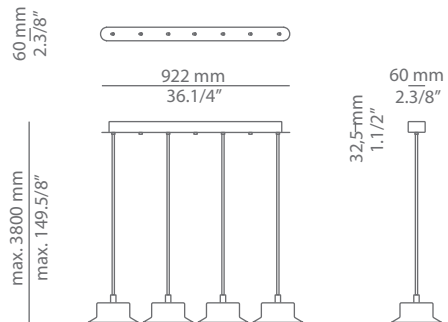
Date	Type
Project	
Location	
Model #	Quantity
Specifier	

Many possible configurations with T-3415LC

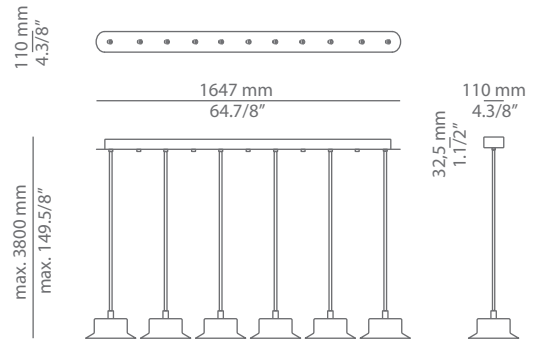
Code	Composition includes										
<div style="display: flex; align-items: center;"> <div style="width: 15px; height: 15px; background-color: #ccc; margin-right: 5px;"></div> <div> <p>L73S.3S maine</p> </div> </div>	<p>1 linear canopy 113415XX1</p> <p>3 units of T-3415LC-W</p> <p>Add up to 2 additional Maine</p> <table border="0" style="width: 100%; margin-top: 10px;"> <thead> <tr> <th style="text-align: left;">Canopy</th> <th style="text-align: left;">Finish</th> </tr> </thead> <tbody> <tr> <td><div style="display: flex; align-items: center;"><div style="width: 15px; height: 15px; background-color: #ccc; margin-right: 5px;"></div> 26 BLK Black</div></td> <td><div style="display: flex; align-items: center;"><div style="width: 15px; height: 15px; background-color: #ccc; margin-right: 5px;"></div> 20 GLD M Gold Matt</div></td> </tr> <tr> <td><div style="display: flex; align-items: center;"><div style="width: 15px; height: 15px; background-color: #ccc; margin-right: 5px;"></div> 71 WH White</div></td> <td><div style="display: flex; align-items: center;"><div style="width: 15px; height: 15px; background-color: #ccc; margin-right: 5px;"></div> 26 BL Black</div></td> </tr> <tr> <td></td> <td><div style="display: flex; align-items: center;"><div style="width: 15px; height: 15px; background-color: #ccc; margin-right: 5px;"></div> 45 CP M Copper Matt</div></td> </tr> <tr> <td></td> <td><div style="display: flex; align-items: center;"><div style="width: 15px; height: 15px; background-color: #ccc; margin-right: 5px;"></div> CUSTOM</div></td> </tr> </tbody> </table>	Canopy	Finish	<div style="display: flex; align-items: center;"><div style="width: 15px; height: 15px; background-color: #ccc; margin-right: 5px;"></div> 26 BLK Black</div>	<div style="display: flex; align-items: center;"><div style="width: 15px; height: 15px; background-color: #ccc; margin-right: 5px;"></div> 20 GLD M Gold Matt</div>	<div style="display: flex; align-items: center;"><div style="width: 15px; height: 15px; background-color: #ccc; margin-right: 5px;"></div> 71 WH White</div>	<div style="display: flex; align-items: center;"><div style="width: 15px; height: 15px; background-color: #ccc; margin-right: 5px;"></div> 26 BL Black</div>		<div style="display: flex; align-items: center;"><div style="width: 15px; height: 15px; background-color: #ccc; margin-right: 5px;"></div> 45 CP M Copper Matt</div>		<div style="display: flex; align-items: center;"><div style="width: 15px; height: 15px; background-color: #ccc; margin-right: 5px;"></div> CUSTOM</div>
Canopy	Finish										
<div style="display: flex; align-items: center;"><div style="width: 15px; height: 15px; background-color: #ccc; margin-right: 5px;"></div> 26 BLK Black</div>	<div style="display: flex; align-items: center;"><div style="width: 15px; height: 15px; background-color: #ccc; margin-right: 5px;"></div> 20 GLD M Gold Matt</div>										
<div style="display: flex; align-items: center;"><div style="width: 15px; height: 15px; background-color: #ccc; margin-right: 5px;"></div> 71 WH White</div>	<div style="display: flex; align-items: center;"><div style="width: 15px; height: 15px; background-color: #ccc; margin-right: 5px;"></div> 26 BL Black</div>										
	<div style="display: flex; align-items: center;"><div style="width: 15px; height: 15px; background-color: #ccc; margin-right: 5px;"></div> 45 CP M Copper Matt</div>										
	<div style="display: flex; align-items: center;"><div style="width: 15px; height: 15px; background-color: #ccc; margin-right: 5px;"></div> CUSTOM</div>										



Code	Composition includes										
<div style="display: flex; align-items: center;"> <div style="width: 15px; height: 15px; background-color: #ccc; margin-right: 5px;"></div> <div> <p>L92S.4S maine</p> </div> </div>	<p>1 linear canopy 113415XX3</p> <p>4 units of T-3415LC-W</p> <p>Add up to 3 additional Maine</p> <table border="0" style="width: 100%; margin-top: 10px;"> <thead> <tr> <th style="text-align: left;">Canopy</th> <th style="text-align: left;">Finish</th> </tr> </thead> <tbody> <tr> <td><div style="display: flex; align-items: center;"><div style="width: 15px; height: 15px; background-color: #ccc; margin-right: 5px;"></div> 26 BLK Black</div></td> <td><div style="display: flex; align-items: center;"><div style="width: 15px; height: 15px; background-color: #ccc; margin-right: 5px;"></div> 20 GLD M Gold Matt</div></td> </tr> <tr> <td><div style="display: flex; align-items: center;"><div style="width: 15px; height: 15px; background-color: #ccc; margin-right: 5px;"></div> 71 WH White</div></td> <td><div style="display: flex; align-items: center;"><div style="width: 15px; height: 15px; background-color: #ccc; margin-right: 5px;"></div> 26 BL Black</div></td> </tr> <tr> <td></td> <td><div style="display: flex; align-items: center;"><div style="width: 15px; height: 15px; background-color: #ccc; margin-right: 5px;"></div> 45 CP M Copper Matt</div></td> </tr> <tr> <td></td> <td><div style="display: flex; align-items: center;"><div style="width: 15px; height: 15px; background-color: #ccc; margin-right: 5px;"></div> CUSTOM</div></td> </tr> </tbody> </table>	Canopy	Finish	<div style="display: flex; align-items: center;"><div style="width: 15px; height: 15px; background-color: #ccc; margin-right: 5px;"></div> 26 BLK Black</div>	<div style="display: flex; align-items: center;"><div style="width: 15px; height: 15px; background-color: #ccc; margin-right: 5px;"></div> 20 GLD M Gold Matt</div>	<div style="display: flex; align-items: center;"><div style="width: 15px; height: 15px; background-color: #ccc; margin-right: 5px;"></div> 71 WH White</div>	<div style="display: flex; align-items: center;"><div style="width: 15px; height: 15px; background-color: #ccc; margin-right: 5px;"></div> 26 BL Black</div>		<div style="display: flex; align-items: center;"><div style="width: 15px; height: 15px; background-color: #ccc; margin-right: 5px;"></div> 45 CP M Copper Matt</div>		<div style="display: flex; align-items: center;"><div style="width: 15px; height: 15px; background-color: #ccc; margin-right: 5px;"></div> CUSTOM</div>
Canopy	Finish										
<div style="display: flex; align-items: center;"><div style="width: 15px; height: 15px; background-color: #ccc; margin-right: 5px;"></div> 26 BLK Black</div>	<div style="display: flex; align-items: center;"><div style="width: 15px; height: 15px; background-color: #ccc; margin-right: 5px;"></div> 20 GLD M Gold Matt</div>										
<div style="display: flex; align-items: center;"><div style="width: 15px; height: 15px; background-color: #ccc; margin-right: 5px;"></div> 71 WH White</div>	<div style="display: flex; align-items: center;"><div style="width: 15px; height: 15px; background-color: #ccc; margin-right: 5px;"></div> 26 BL Black</div>										
	<div style="display: flex; align-items: center;"><div style="width: 15px; height: 15px; background-color: #ccc; margin-right: 5px;"></div> 45 CP M Copper Matt</div>										
	<div style="display: flex; align-items: center;"><div style="width: 15px; height: 15px; background-color: #ccc; margin-right: 5px;"></div> CUSTOM</div>										



Code	Composition includes										
<div style="display: flex; align-items: center;"> <div style="width: 15px; height: 15px; background-color: #ccc; margin-right: 5px;"></div> <div> <p>L16S.6S maine</p> </div> </div>	<p>1 linear canopy 113415XX7</p> <p>6 units of T-3415LC-W</p> <p>Add up to 5 additional Maine</p> <table border="0" style="width: 100%; margin-top: 10px;"> <thead> <tr> <th style="text-align: left;">Canopy</th> <th style="text-align: left;">Finish</th> </tr> </thead> <tbody> <tr> <td><div style="display: flex; align-items: center;"><div style="width: 15px; height: 15px; background-color: #ccc; margin-right: 5px;"></div> 26 BLK Black</div></td> <td><div style="display: flex; align-items: center;"><div style="width: 15px; height: 15px; background-color: #ccc; margin-right: 5px;"></div> 20 GLD M Gold Matt</div></td> </tr> <tr> <td><div style="display: flex; align-items: center;"><div style="width: 15px; height: 15px; background-color: #ccc; margin-right: 5px;"></div> 71 WH White</div></td> <td><div style="display: flex; align-items: center;"><div style="width: 15px; height: 15px; background-color: #ccc; margin-right: 5px;"></div> 26 BL Black</div></td> </tr> <tr> <td></td> <td><div style="display: flex; align-items: center;"><div style="width: 15px; height: 15px; background-color: #ccc; margin-right: 5px;"></div> 45 CP M Copper Matt</div></td> </tr> <tr> <td></td> <td><div style="display: flex; align-items: center;"><div style="width: 15px; height: 15px; background-color: #ccc; margin-right: 5px;"></div> CUSTOM</div></td> </tr> </tbody> </table>	Canopy	Finish	<div style="display: flex; align-items: center;"><div style="width: 15px; height: 15px; background-color: #ccc; margin-right: 5px;"></div> 26 BLK Black</div>	<div style="display: flex; align-items: center;"><div style="width: 15px; height: 15px; background-color: #ccc; margin-right: 5px;"></div> 20 GLD M Gold Matt</div>	<div style="display: flex; align-items: center;"><div style="width: 15px; height: 15px; background-color: #ccc; margin-right: 5px;"></div> 71 WH White</div>	<div style="display: flex; align-items: center;"><div style="width: 15px; height: 15px; background-color: #ccc; margin-right: 5px;"></div> 26 BL Black</div>		<div style="display: flex; align-items: center;"><div style="width: 15px; height: 15px; background-color: #ccc; margin-right: 5px;"></div> 45 CP M Copper Matt</div>		<div style="display: flex; align-items: center;"><div style="width: 15px; height: 15px; background-color: #ccc; margin-right: 5px;"></div> CUSTOM</div>
Canopy	Finish										
<div style="display: flex; align-items: center;"><div style="width: 15px; height: 15px; background-color: #ccc; margin-right: 5px;"></div> 26 BLK Black</div>	<div style="display: flex; align-items: center;"><div style="width: 15px; height: 15px; background-color: #ccc; margin-right: 5px;"></div> 20 GLD M Gold Matt</div>										
<div style="display: flex; align-items: center;"><div style="width: 15px; height: 15px; background-color: #ccc; margin-right: 5px;"></div> 71 WH White</div>	<div style="display: flex; align-items: center;"><div style="width: 15px; height: 15px; background-color: #ccc; margin-right: 5px;"></div> 26 BL Black</div>										
	<div style="display: flex; align-items: center;"><div style="width: 15px; height: 15px; background-color: #ccc; margin-right: 5px;"></div> 45 CP M Copper Matt</div>										
	<div style="display: flex; align-items: center;"><div style="width: 15px; height: 15px; background-color: #ccc; margin-right: 5px;"></div> CUSTOM</div>										



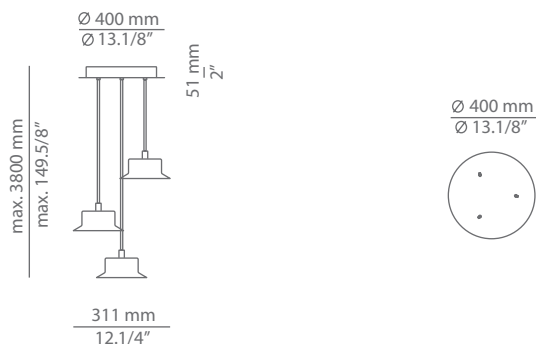
MAINE T-3415LC

suspension lamp

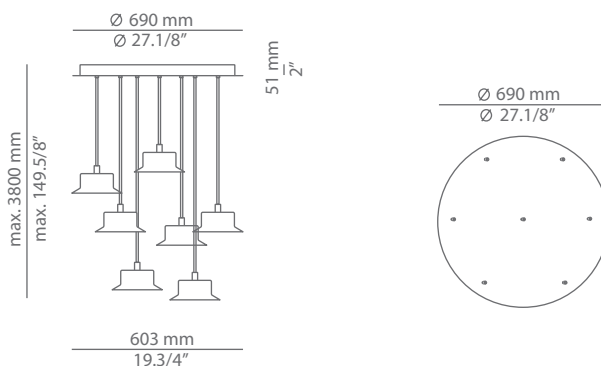
Date	Type
Project	
Location	
Model #	Quantity
Specifier	

Many possible configurations with T-3415LC

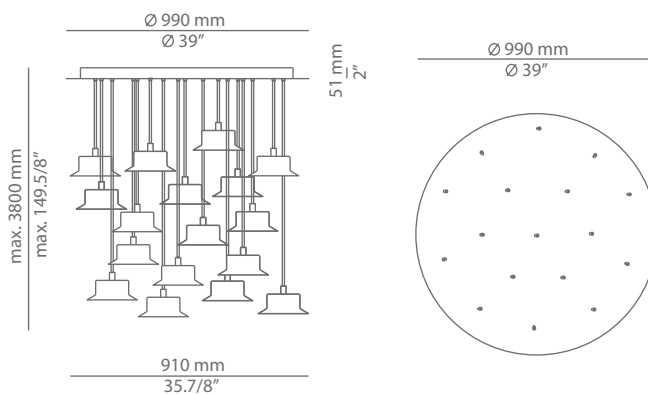
Code	Composition includes																				
■ R40S.3S maine	1 round canopy 113415XX6 3 units of T-3415LC-W																				
	<table border="1"> <thead> <tr> <th colspan="2">Canopy</th> <th colspan="2">Finish</th> </tr> </thead> <tbody> <tr> <td>■ 26 BLK</td> <td>Black</td> <td>■ 20 GLD M</td> <td>Gold Matt</td> </tr> <tr> <td>■ 71 WH</td> <td>White</td> <td>■ 26 BL</td> <td>Black</td> </tr> <tr> <td></td> <td></td> <td>■ 45 CP M</td> <td>Copper Matt</td> </tr> <tr> <td></td> <td></td> <td>■ CUSTOM</td> <td></td> </tr> </tbody> </table>	Canopy		Finish		■ 26 BLK	Black	■ 20 GLD M	Gold Matt	■ 71 WH	White	■ 26 BL	Black			■ 45 CP M	Copper Matt			■ CUSTOM	
Canopy		Finish																			
■ 26 BLK	Black	■ 20 GLD M	Gold Matt																		
■ 71 WH	White	■ 26 BL	Black																		
		■ 45 CP M	Copper Matt																		
		■ CUSTOM																			



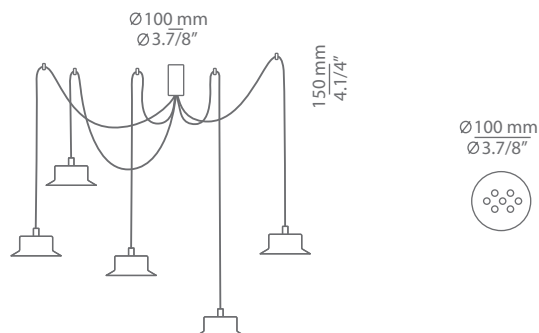
Code	Composition includes																				
■ R70S.7S maine	1 round canopy 113415XX4 7 units of T-3415LC-W																				
	<table border="1"> <thead> <tr> <th colspan="2">Canopy</th> <th colspan="2">Finish</th> </tr> </thead> <tbody> <tr> <td>■ 26 BLK</td> <td>Black</td> <td>■ 20 GLD M</td> <td>Gold Matt</td> </tr> <tr> <td>■ 71 WH</td> <td>White</td> <td>■ 26 BL</td> <td>Black</td> </tr> <tr> <td></td> <td></td> <td>■ 45 CP M</td> <td>Copper Matt</td> </tr> <tr> <td></td> <td></td> <td>■ CUSTOM</td> <td></td> </tr> </tbody> </table>	Canopy		Finish		■ 26 BLK	Black	■ 20 GLD M	Gold Matt	■ 71 WH	White	■ 26 BL	Black			■ 45 CP M	Copper Matt			■ CUSTOM	
Canopy		Finish																			
■ 26 BLK	Black	■ 20 GLD M	Gold Matt																		
■ 71 WH	White	■ 26 BL	Black																		
		■ 45 CP M	Copper Matt																		
		■ CUSTOM																			



Code	Composition includes																				
■ R100S.17S maine	1 round canopy 113415XX5 17 units of T-3415LC-W																				
	<table border="1"> <thead> <tr> <th colspan="2">Canopy</th> <th colspan="2">Finish</th> </tr> </thead> <tbody> <tr> <td>■ 26 BLK</td> <td>Black</td> <td>■ 20 GLD M</td> <td>Gold Matt</td> </tr> <tr> <td>■ 71 WH</td> <td>White</td> <td>■ 26 BL</td> <td>Black</td> </tr> <tr> <td></td> <td></td> <td>■ 45 CP M</td> <td>Copper Matt</td> </tr> <tr> <td></td> <td></td> <td>■ CUSTOM</td> <td></td> </tr> </tbody> </table>	Canopy		Finish		■ 26 BLK	Black	■ 20 GLD M	Gold Matt	■ 71 WH	White	■ 26 BL	Black			■ 45 CP M	Copper Matt			■ CUSTOM	
Canopy		Finish																			
■ 26 BLK	Black	■ 20 GLD M	Gold Matt																		
■ 71 WH	White	■ 26 BL	Black																		
		■ 45 CP M	Copper Matt																		
		■ CUSTOM																			



Code	Composition includes																				
■ M5S maine	1 multipoint canopy 113415XX0 5 units of T-3415LC-W 5 ceiling holders Add up to 2 additional Maine																				
	<table border="1"> <thead> <tr> <th colspan="2">Canopy</th> <th colspan="2">Finish</th> </tr> </thead> <tbody> <tr> <td>■ 26 BLK</td> <td>Black</td> <td>■ 20 GLD M</td> <td>Gold Matt</td> </tr> <tr> <td>■ 71 WH</td> <td>White</td> <td>■ 26 BL</td> <td>Black</td> </tr> <tr> <td></td> <td></td> <td>■ 45 CP M</td> <td>Copper Matt</td> </tr> <tr> <td></td> <td></td> <td>■ CUSTOM</td> <td></td> </tr> </tbody> </table>	Canopy		Finish		■ 26 BLK	Black	■ 20 GLD M	Gold Matt	■ 71 WH	White	■ 26 BL	Black			■ 45 CP M	Copper Matt			■ CUSTOM	
Canopy		Finish																			
■ 26 BLK	Black	■ 20 GLD M	Gold Matt																		
■ 71 WH	White	■ 26 BL	Black																		
		■ 45 CP M	Copper Matt																		
		■ CUSTOM																			



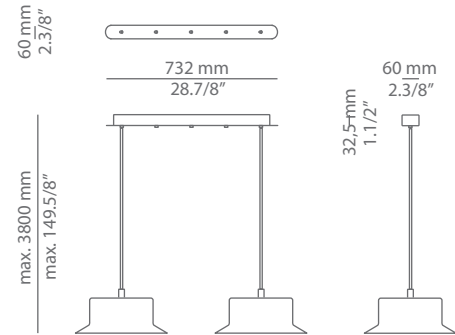
MAINE T-3416LC

suspension lamp

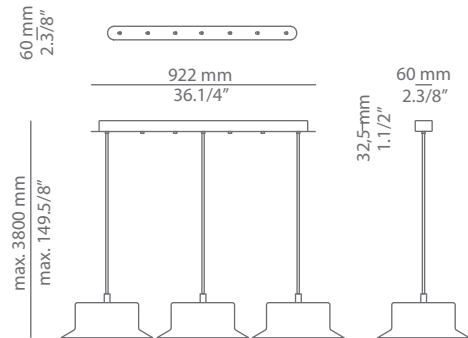
Date	Type
Project	
Location	
Model #	Quantity
Specifier	

Many possible configurations with T-3416LC

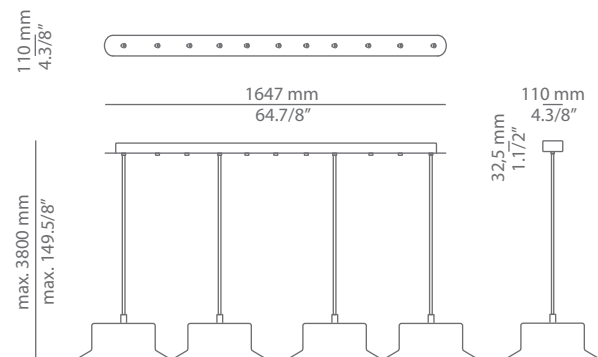
Code	Composition includes																				
<div style="display: flex; align-items: center;"> <div style="width: 15px; height: 15px; background-color: #ccc; margin-right: 5px;"></div> <div> <p>L735.2M maine</p> </div> </div>	<p>1 linear canopy 113415XX1</p> <p>2 units of T-3416LC-W</p> <p>Add up to 1 additional Maine</p> <table border="1" style="width: 100%; margin-top: 10px;"> <thead> <tr> <th colspan="2">Canopy</th> <th colspan="2">Finish</th> </tr> </thead> <tbody> <tr> <td><div style="width: 15px; height: 15px; background-color: #ccc; margin-right: 5px;"></div> 26 BLK</td> <td>Black</td> <td><div style="width: 15px; height: 15px; background-color: #ccc; margin-right: 5px;"></div> 20 GLD M</td> <td>Gold Matt</td> </tr> <tr> <td><div style="width: 15px; height: 15px; background-color: #ccc; margin-right: 5px;"></div> 71 WH</td> <td>White</td> <td><div style="width: 15px; height: 15px; background-color: #ccc; margin-right: 5px;"></div> 26 BL</td> <td>Black</td> </tr> <tr> <td></td> <td></td> <td><div style="width: 15px; height: 15px; background-color: #ccc; margin-right: 5px;"></div> 45 CP M</td> <td>Copper Matt</td> </tr> <tr> <td></td> <td></td> <td><div style="width: 15px; height: 15px; background-color: #ccc; margin-right: 5px;"></div> CUSTOM</td> <td></td> </tr> </tbody> </table>	Canopy		Finish		<div style="width: 15px; height: 15px; background-color: #ccc; margin-right: 5px;"></div> 26 BLK	Black	<div style="width: 15px; height: 15px; background-color: #ccc; margin-right: 5px;"></div> 20 GLD M	Gold Matt	<div style="width: 15px; height: 15px; background-color: #ccc; margin-right: 5px;"></div> 71 WH	White	<div style="width: 15px; height: 15px; background-color: #ccc; margin-right: 5px;"></div> 26 BL	Black			<div style="width: 15px; height: 15px; background-color: #ccc; margin-right: 5px;"></div> 45 CP M	Copper Matt			<div style="width: 15px; height: 15px; background-color: #ccc; margin-right: 5px;"></div> CUSTOM	
Canopy		Finish																			
<div style="width: 15px; height: 15px; background-color: #ccc; margin-right: 5px;"></div> 26 BLK	Black	<div style="width: 15px; height: 15px; background-color: #ccc; margin-right: 5px;"></div> 20 GLD M	Gold Matt																		
<div style="width: 15px; height: 15px; background-color: #ccc; margin-right: 5px;"></div> 71 WH	White	<div style="width: 15px; height: 15px; background-color: #ccc; margin-right: 5px;"></div> 26 BL	Black																		
		<div style="width: 15px; height: 15px; background-color: #ccc; margin-right: 5px;"></div> 45 CP M	Copper Matt																		
		<div style="width: 15px; height: 15px; background-color: #ccc; margin-right: 5px;"></div> CUSTOM																			



Code	Composition includes																				
<div style="display: flex; align-items: center;"> <div style="width: 15px; height: 15px; background-color: #ccc; margin-right: 5px;"></div> <div> <p>L925.3M maine</p> </div> </div>	<p>1 linear canopy 113415XX3</p> <p>3 units of T-3416LC-W</p> <table border="1" style="width: 100%; margin-top: 10px;"> <thead> <tr> <th colspan="2">Canopy</th> <th colspan="2">Finish</th> </tr> </thead> <tbody> <tr> <td><div style="width: 15px; height: 15px; background-color: #ccc; margin-right: 5px;"></div> 26 BLK</td> <td>Black</td> <td><div style="width: 15px; height: 15px; background-color: #ccc; margin-right: 5px;"></div> 20 GLD M</td> <td>Gold Matt</td> </tr> <tr> <td><div style="width: 15px; height: 15px; background-color: #ccc; margin-right: 5px;"></div> 71 WH</td> <td>White</td> <td><div style="width: 15px; height: 15px; background-color: #ccc; margin-right: 5px;"></div> 26 BL</td> <td>Black</td> </tr> <tr> <td></td> <td></td> <td><div style="width: 15px; height: 15px; background-color: #ccc; margin-right: 5px;"></div> 45 CP M</td> <td>Copper Matt</td> </tr> <tr> <td></td> <td></td> <td><div style="width: 15px; height: 15px; background-color: #ccc; margin-right: 5px;"></div> CUSTOM</td> <td></td> </tr> </tbody> </table>	Canopy		Finish		<div style="width: 15px; height: 15px; background-color: #ccc; margin-right: 5px;"></div> 26 BLK	Black	<div style="width: 15px; height: 15px; background-color: #ccc; margin-right: 5px;"></div> 20 GLD M	Gold Matt	<div style="width: 15px; height: 15px; background-color: #ccc; margin-right: 5px;"></div> 71 WH	White	<div style="width: 15px; height: 15px; background-color: #ccc; margin-right: 5px;"></div> 26 BL	Black			<div style="width: 15px; height: 15px; background-color: #ccc; margin-right: 5px;"></div> 45 CP M	Copper Matt			<div style="width: 15px; height: 15px; background-color: #ccc; margin-right: 5px;"></div> CUSTOM	
Canopy		Finish																			
<div style="width: 15px; height: 15px; background-color: #ccc; margin-right: 5px;"></div> 26 BLK	Black	<div style="width: 15px; height: 15px; background-color: #ccc; margin-right: 5px;"></div> 20 GLD M	Gold Matt																		
<div style="width: 15px; height: 15px; background-color: #ccc; margin-right: 5px;"></div> 71 WH	White	<div style="width: 15px; height: 15px; background-color: #ccc; margin-right: 5px;"></div> 26 BL	Black																		
		<div style="width: 15px; height: 15px; background-color: #ccc; margin-right: 5px;"></div> 45 CP M	Copper Matt																		
		<div style="width: 15px; height: 15px; background-color: #ccc; margin-right: 5px;"></div> CUSTOM																			



Code	Composition includes																				
<div style="display: flex; align-items: center;"> <div style="width: 15px; height: 15px; background-color: #ccc; margin-right: 5px;"></div> <div> <p>L1655.4M maine</p> </div> </div>	<p>1 linear canopy 113415XX7</p> <p>4 units of T-3416LC-W</p> <table border="1" style="width: 100%; margin-top: 10px;"> <thead> <tr> <th colspan="2">Canopy</th> <th colspan="2">Finish</th> </tr> </thead> <tbody> <tr> <td><div style="width: 15px; height: 15px; background-color: #ccc; margin-right: 5px;"></div> 26 BLK</td> <td>Black</td> <td><div style="width: 15px; height: 15px; background-color: #ccc; margin-right: 5px;"></div> 20 GLD M</td> <td>Gold Matt</td> </tr> <tr> <td><div style="width: 15px; height: 15px; background-color: #ccc; margin-right: 5px;"></div> 71 WH</td> <td>White</td> <td><div style="width: 15px; height: 15px; background-color: #ccc; margin-right: 5px;"></div> 26 BL</td> <td>Black</td> </tr> <tr> <td></td> <td></td> <td><div style="width: 15px; height: 15px; background-color: #ccc; margin-right: 5px;"></div> 45 CP M</td> <td>Copper Matt</td> </tr> <tr> <td></td> <td></td> <td><div style="width: 15px; height: 15px; background-color: #ccc; margin-right: 5px;"></div> CUSTOM</td> <td></td> </tr> </tbody> </table>	Canopy		Finish		<div style="width: 15px; height: 15px; background-color: #ccc; margin-right: 5px;"></div> 26 BLK	Black	<div style="width: 15px; height: 15px; background-color: #ccc; margin-right: 5px;"></div> 20 GLD M	Gold Matt	<div style="width: 15px; height: 15px; background-color: #ccc; margin-right: 5px;"></div> 71 WH	White	<div style="width: 15px; height: 15px; background-color: #ccc; margin-right: 5px;"></div> 26 BL	Black			<div style="width: 15px; height: 15px; background-color: #ccc; margin-right: 5px;"></div> 45 CP M	Copper Matt			<div style="width: 15px; height: 15px; background-color: #ccc; margin-right: 5px;"></div> CUSTOM	
Canopy		Finish																			
<div style="width: 15px; height: 15px; background-color: #ccc; margin-right: 5px;"></div> 26 BLK	Black	<div style="width: 15px; height: 15px; background-color: #ccc; margin-right: 5px;"></div> 20 GLD M	Gold Matt																		
<div style="width: 15px; height: 15px; background-color: #ccc; margin-right: 5px;"></div> 71 WH	White	<div style="width: 15px; height: 15px; background-color: #ccc; margin-right: 5px;"></div> 26 BL	Black																		
		<div style="width: 15px; height: 15px; background-color: #ccc; margin-right: 5px;"></div> 45 CP M	Copper Matt																		
		<div style="width: 15px; height: 15px; background-color: #ccc; margin-right: 5px;"></div> CUSTOM																			



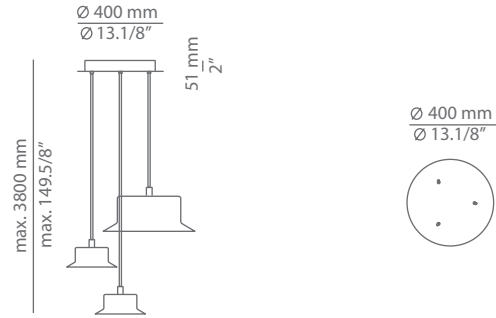
MAINE T-3415LC / T-3416LC

suspension lamp

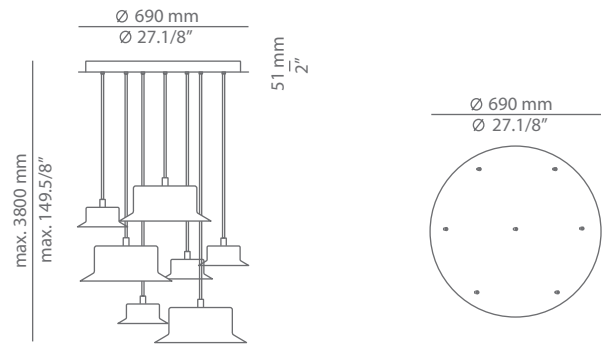
Date	Type
Project	
Location	
Model #	Quantity
Specifier	

Many possible configurations with T-3415LC and T-3416LC

Code	Composition includes																				
<p>■ R40S.2S1M maine</p>	<p>1 round canopy 113415XX6 2 units of T-3415LC-W 1 units of T-3416LC-W</p> <table border="1"> <thead> <tr> <th colspan="2">Canopy</th> <th colspan="2">Finish</th> </tr> </thead> <tbody> <tr> <td>■ 26 BLK</td> <td>Black</td> <td>■ 20 GLD M</td> <td>Gold Matt</td> </tr> <tr> <td>■ 71 WH</td> <td>White</td> <td>■ 26 BL</td> <td>Black</td> </tr> <tr> <td></td> <td></td> <td>■ 45 CP M</td> <td>Copper Matt</td> </tr> <tr> <td></td> <td></td> <td>■ CUSTOM</td> <td></td> </tr> </tbody> </table>	Canopy		Finish		■ 26 BLK	Black	■ 20 GLD M	Gold Matt	■ 71 WH	White	■ 26 BL	Black			■ 45 CP M	Copper Matt			■ CUSTOM	
Canopy		Finish																			
■ 26 BLK	Black	■ 20 GLD M	Gold Matt																		
■ 71 WH	White	■ 26 BL	Black																		
		■ 45 CP M	Copper Matt																		
		■ CUSTOM																			



Code	Composition includes																				
<p>■ R70S.4S3M maine</p>	<p>1 round canopy 113415XX4 4 units of T-3415LC-W 3 units of T-3416LC-W</p> <table border="1"> <thead> <tr> <th colspan="2">Canopy</th> <th colspan="2">Finish</th> </tr> </thead> <tbody> <tr> <td>■ 26 BLK</td> <td>Black</td> <td>■ 20 GLD M</td> <td>Gold Matt</td> </tr> <tr> <td>■ 71 WH</td> <td>White</td> <td>■ 26 BL</td> <td>Black</td> </tr> <tr> <td></td> <td></td> <td>■ 45 CP M</td> <td>Copper Matt</td> </tr> <tr> <td></td> <td></td> <td>■ CUSTOM</td> <td></td> </tr> </tbody> </table>	Canopy		Finish		■ 26 BLK	Black	■ 20 GLD M	Gold Matt	■ 71 WH	White	■ 26 BL	Black			■ 45 CP M	Copper Matt			■ CUSTOM	
Canopy		Finish																			
■ 26 BLK	Black	■ 20 GLD M	Gold Matt																		
■ 71 WH	White	■ 26 BL	Black																		
		■ 45 CP M	Copper Matt																		
		■ CUSTOM																			



Code	Composition includes																				
<p>■ R100S.7S4M maine</p>	<p>1 round canopy 113415XX5 7 units of T-3415LC-W 4 units of T-3416LC-W</p> <table border="1"> <thead> <tr> <th colspan="2">Canopy</th> <th colspan="2">Finish</th> </tr> </thead> <tbody> <tr> <td>■ 26 BLK</td> <td>Black</td> <td>■ 20 GLD M</td> <td>Gold Matt</td> </tr> <tr> <td>■ 71 WH</td> <td>White</td> <td>■ 26 BL</td> <td>Black</td> </tr> <tr> <td></td> <td></td> <td>■ 45 CP M</td> <td>Copper Matt</td> </tr> <tr> <td></td> <td></td> <td>■ CUSTOM</td> <td></td> </tr> </tbody> </table>	Canopy		Finish		■ 26 BLK	Black	■ 20 GLD M	Gold Matt	■ 71 WH	White	■ 26 BL	Black			■ 45 CP M	Copper Matt			■ CUSTOM	
Canopy		Finish																			
■ 26 BLK	Black	■ 20 GLD M	Gold Matt																		
■ 71 WH	White	■ 26 BL	Black																		
		■ 45 CP M	Copper Matt																		
		■ CUSTOM																			

