

SMILE

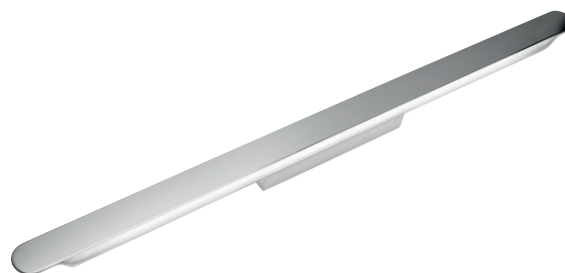
A-3350 / A-3351

wall light

Date	Type
Project	
Location	
Model #	Quantity
Specifier	

Description

Linear metallic wall light providing direct and indirect light.
 Translucent acrylic top and bottom diffuser.
 Front metal plate.



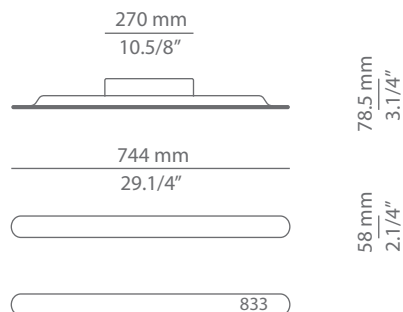
Pictures above might not show the specified dimensions or material. They are for illustration purposes only.

Ordering information

Product Code	Lamp	Finish	Optional
■ A-3350	Electronic Fluorescent 24W (bulb not included) T5 / 220V - 240V / Non Dimmable	■ 22 CH Chrome ■ 26 BLK Black ■ 74 WH White ■ CUSTOM	■ Laser cut signage (minimum order 25 units required)

Product includes

Code	Description
A-3350	1 smile wall light
113350XX0	1 front plate



SMILE

A-3350 / A-3351
wall light

Date	Type
Project	
Location	
Model #	Quantity
Specifier	

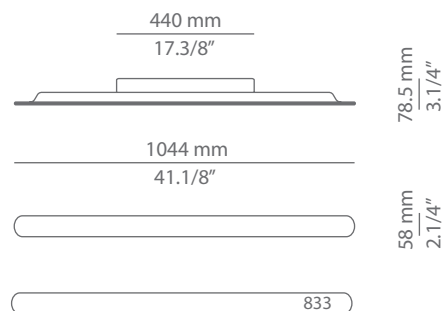
Ordering information

Product Code	Lamp
■ A-3351	Electronic Fluorescent 39W (bulb not included) T5 / 100V - 277V / Non Dimmable

Finish	Optional
■ 26 BLK Black	■ Laser cut signage (minimum order 25 units required)
■ 74 WH White	
■ CUSTOM	

Product includes

Code	Description
A-3351	1 smile wall light
113351XX0	1 front plate



SPECIAL REQUIREMENTS

Custom finishes and versions

We offer custom plated or RAL finishes and shades. Alternate lamping and sizes available for projects. Consult our offices.

Special instructions
