

FLOS

F1369039 Green

Smithfield Suspension Pro dimmable DALI

Designed by Jasper Morrison, 2009



45W - 2791lm - 2700K - CRI> 95

Suspension lamp with direct light. Aluminium body. Available in gloss black, white, matt black, green, red or MUD. Injection-moulded opalescent methacrylate diffuser. Steel ceiling attachment with steel suspension cable, 5 pole electric cable in PTFE double insulation, working length 2700 mm. Control DALI dimmable.

Are you a professional and your project needs consulting and support?

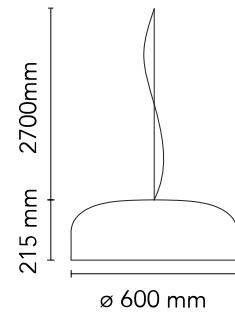
[BOOK AN APPOINTMENT](#)

Main specifications

EAN	8059607015162
Mounting	Suspension
Environments	Indoor dry location
Light Source Type	LED
LED type	LED Module
Power (W)	45
System power (W)	45
System flux (lm)	2791

Physical

Colour	Green
Cord length (mm)	2700
Net weight (kg)	5.8
Package height (mm)	310
Package width (mm)	710
Package length (mm)	710
Package volume (m3)	0.16
IP internal	20



Download

[Mounting instructions](#) PDF

[Spare Parts](#) PDF

Photometric Files

[LDT / IES](#) LDT

Technical Drawings

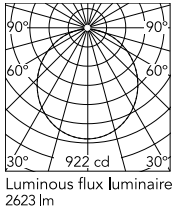
[2D](#) ZIP

[3D](#) ZIP

[Bim](#) ZIP



Schematic light drawing



Photometric

Lighting type	Direct
Light distribution	Roto symmetric
CCT (K)	2700
CRI>	95

Electrical

Insulation class	I
Frequency (Hz)	50/60
Main voltage (Vac)	200-240
LED voltage Vf (Vdc)	null
Driver	Integrated
Dimmable	Yes
Dimming type	Dimmable DALI 1
Dimming interface	Remote Dimmable (Dimmer Not Included)
Batteries inside	No

Ecodesign and Energy Labelling

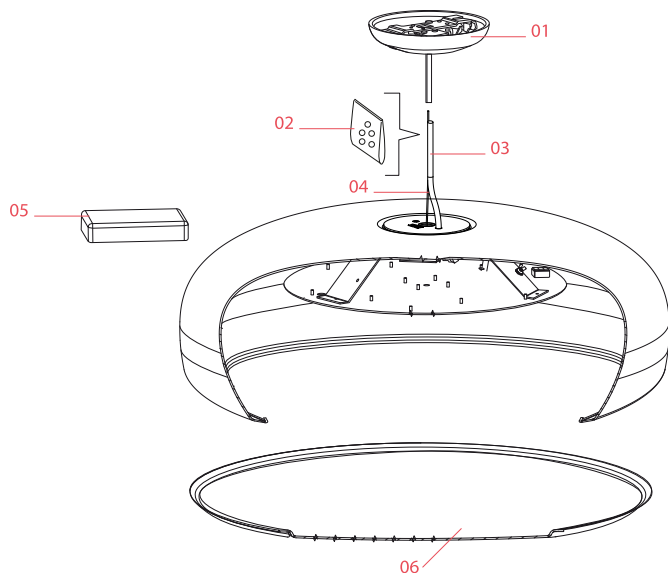


Replaceable (LED only)
light source by a
professional



Replaceable control
gear by a professional

Spare Parts



DOWNLOAD