

FLOS

■ F1367030 Black

Smithfield Suspension Pro

Designed by Jasper Morrison, 2009



45W - 2791lm - 2700K - CRI> 95

Suspension lamp with direct light. Aluminium body. Available in gloss black, matt black, red, green, white or MUD. Injection-moulded opalescent methacrylate diffuser. Steel ceiling attachment with steel suspension cable, 5 pole electric cable in PTFE double insulation, working length 2700mm.

Are you a professional and your project needs consulting and support?

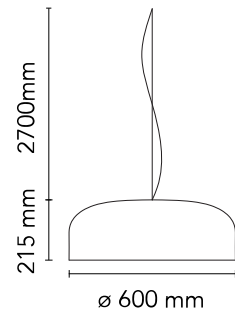
BOOK AN APPOINTMENT

Main specifications

EAN	8059607014974
Mounting	Suspension
Environments	Indoor dry location
Light Source Type	LED
LED type	LED Module
Power (W)	45
System flux (lm)	2791

Physical

Colour	Black
Cord length (mm)	2700
Net weight (kg)	5.8
Package volume (m3)	0.16
IP internal	20



Download

Mounting instructions [↓ PDF](#)

Spare Parts [↓ PDF](#)

Photometric Files

LDT / IES [↓ LDT](#)

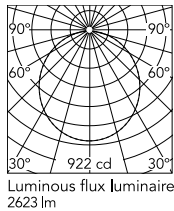
Technical Drawings

3D [↓ ZIP](#)

[Bim](#) [↓ ZIP](#)



Schematic light drawing



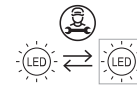
Photometric

Lighting type	Direct
Light distribution	Roto symmetric
CCT (K)	2700
CRI>	95

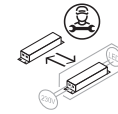
Electrical

Insulation class	I
Frequency (Hz)	50/60
Main voltage (Vac)	200-240
LED voltage Vf (Vdc)	null
Driver	Integrated
Dimming type	Dimmable Push
Batteries inside	No
Charging min time	No

Ecodesign and Energy Labelling

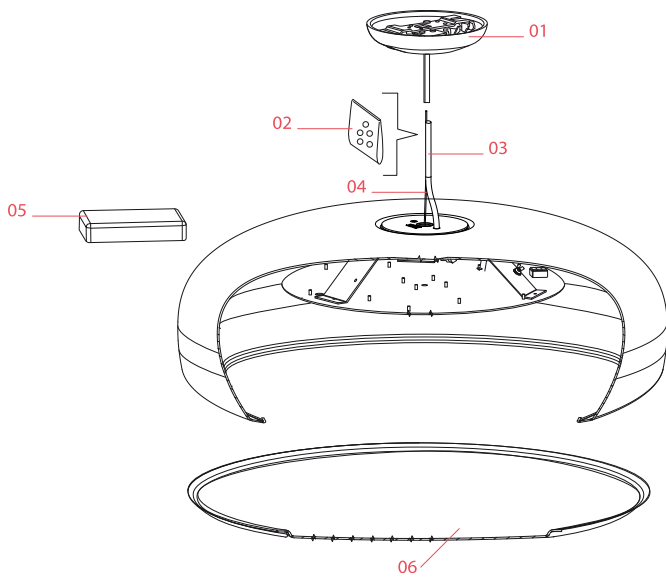


Replaceable (LED only)
light source by a
professional



Replaceable control
gear by a professional

Spare Parts



- | | | |
|-----|--|-----------|
| 01. | Black rose assembly | RA3690230 |
| 02. | Kit of 5 or rings | RF05382 |
| 03. | 2,7mt fep/pvc 5x0,75 transparent cable | RF29934 |
| 04. | 3 mt steel cable ø1,2 with 19 winded wires | RF29665 |
| 06. | Methacrylate diffuser | RF19022 |

DOWNLOAD



RA3690230

Black rose assembly



RF05382

Kit of 5 or rings



RF29934

2,7mt fep/pvc 5x0,75 transparent
cable

FLOS

RF29665

3 mt steel cable ø1,2 with 19
winded wires



RF19022

Methacrylate diffuser