

FLOS

■ F9705020 Grey

Pochette Up/Down Led

Designed by Rodolfo Dordoni, 2003

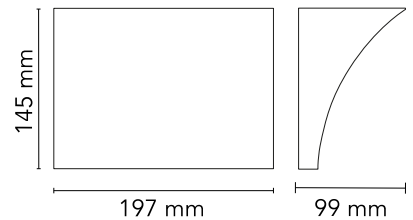


21.5W - 1744lm - 2700K - CRI> 90

Wall lamp providing direct/indirect light. Pressure die-cast Zamak alloy structure, matte gray, shiny white or chrome plated finish. Molded steel, galvanized white wall attachment containing the wall attachment system as well as the electrical devices.

Are you a professional and your project needs consulting and support?

[BOOK AN APPOINTMENT](#)



Main specifications

EAN	8059607024256
Mounting	Wall
Environments	Indoor dry location
Light Source Type	LED
LED type	LED Module
Power (W)	21.5
System flux (lm)	1744

Physical

Colour	Grey
Net weight (kg)	1.7
Package volume (m3)	0.01
IP internal	20

Download

[Mounting instructions](#)  PDF

[Spare Parts](#)  PDF

Photometric Files

[LDT / IES](#)  LDT

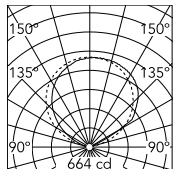
Technical Drawings

[2D](#)  ZIP

[3D](#)  ZIP



Schematic light drawing



Beam Angle: 107°

h(m)	E(lx)	D(m)
1	659	2.74
2	165	5.47
3	73	8.21
4	41	10.95
5	26	13.68

Luminous flux Luminaire
1744 lm

Photometric

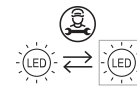
Lighting type	Indirect, Direct
Light distribution	Asymmetric
CCT (K)	2700
CRI>	90

Electrical

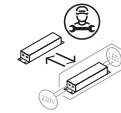
Insulation class	I
Frequency (Hz)	50/60
Main voltage (Vac)	220-240
Driver	Integrated
Dimmable	Yes
Dimming type	Dimmable 1-10V
Dimming interface	Remote Dimmable (Dimmer Not Included)
Batteries inside	No
Charging min time	No

Ecodesign and Energy Labelling

This product contains a light source of energy efficiency class E



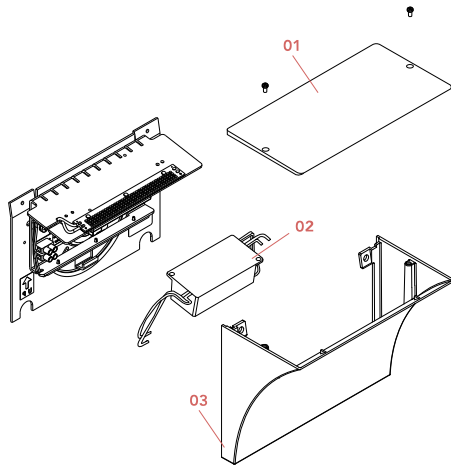
Replaceable (LED only)
light source by a
professional



Replaceable control
gear by a professional

Spare Parts

- 01. Up transparent diffuser RF25606
- 02. Led power supply RF25062



DOWNLOAD



RF25606

Up transparent diffuser



RF25062

Led power supply