

FLOS

F5601074 Turquoise

Parentesi 50

Designed by Achille Castiglioni and Pio Manzu, 1971

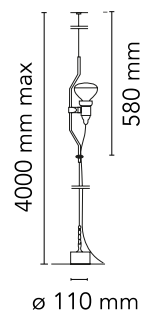
Halogen - 150W



Adjustable lamp providing direct light. Lamp moves vertically via sliding of a painted shaped steel tube on a ceiling-to-floor steel cable (4000 mm long). Fixture head made of injection-molded black elastomer housing a switch. Counterweight in cast iron covered with a silicone sheath made in the same color as the lamp body. On the cable there is the electronic dimmer which allows the regulation of light brightness.

Are you a professional and your project needs consulting and support?

BOOK AN APPOINTMENT



Main specifications

EAN	8059607041130
Mounting	Suspension
Environments	Indoor dry location
Light Source Type	Bulb
Lamp category	Halogen
Lamp holders	E27
Ilcos	HSGSR
Number of heads	1
Power (W)	150

Physical

Colour	Turquoise
Cord length (mm)	4000
Net weight (kg)	5.05
Package volume (m3)	0.03
IP internal	20

Download

Mounting instructions [↓ PDF](#)

Spare Parts [↓ PDF](#)

Photometric Files

LDT / IES [↓ LDT](#)

Technical Drawings

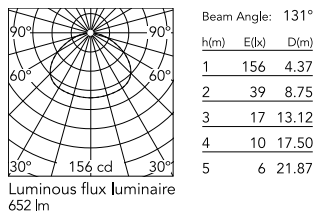
2D [↓ ZIP](#)

3D [↓ ZIP](#)

[🔒 Bim](#) [↓ ZIP](#)



Schematic light drawing



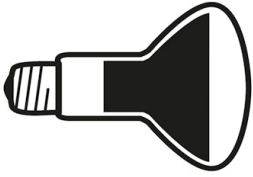
Photometric

Lighting type	Direct
Light distribution	Symmetric

Electrical

Insulation class	II
Frequency (Hz)	50/60
Main voltage (Vac)	220-240
LED voltage Vf (Vdc)	null
Dimmable	Yes
Dimming interface	Dimmer Integrated
Plug type	Type C
Batteries inside	No
Charging min time	No

Bulbs



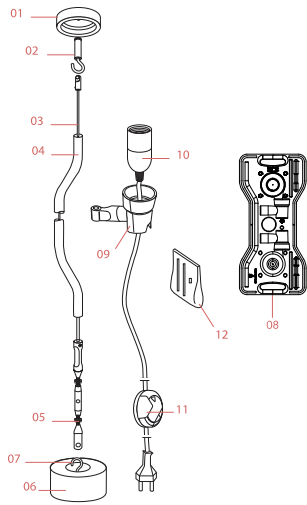
NOT INCLUDED

RF32366

LED Lamp 12W E27 220-240V

2700K R125

Spare Parts



DOWNLOAD