

# FLOS

F3693039 Matte Green

## Last Order Clear

Designed by Michael Anastassiades, 2020

2.5W - 90lm - 2700K - CRI> 90



Flos Last Order table lamp was designed by M. Anastassiades. It is a rechargeable table lamp that diffuses light through a transparent solid crystal base whose shape makes reference to architectural typology of the ancient column. The top cover comes in a combination of different metal and colour finishes: stainless steel, brass, satin copper or green opal coating .

Are you a professional and your project needs consulting and support?

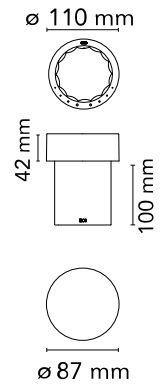
BOOK AN APPOINTMENT

### Main specifications

|                   |                             |
|-------------------|-----------------------------|
| EAN               | 8059607030462               |
| Mounting          | Table                       |
| Environments      | Indoor Outdoor wet location |
| Light Source Type | LED                         |
| LED type          | LED Module                  |
| Power (W)         | 2.5                         |
| System flux (lm)  | 90                          |

### Physical

|                     |             |
|---------------------|-------------|
| Colour              | Matte Green |
| Net weight (kg)     | 2.14        |
| Package volume (m3) | 0.01        |
| IP internal         | 55          |



### Download

Mounting instructions [↓ PDF](#)

Spare Parts [↓ PDF](#)

### Photometric Files

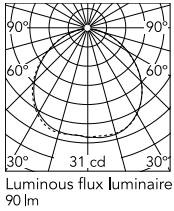
LDT / IES [↓ LDT](#)

### Technical Drawings

3D [↓ ZIP](#)



## Schematic light drawing



## Photometric

|                    |                |
|--------------------|----------------|
| Lighting type      | Direct         |
| Light distribution | Roto symmetric |
| CCT (K)            | 2700           |
| CRI>               | 90             |

## Electrical

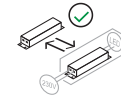
|                           |                        |
|---------------------------|------------------------|
| Insulation class          | III                    |
| Frequency (Hz)            | 50/60                  |
| Main voltage (Vac)        | 100-240/5              |
| Driver                    | Remote included        |
| Dimmable                  | Yes                    |
| Dimming type              | Electronic 5V          |
| Dimming interface         | Dimmer Integrated      |
| Plug type                 | Type G, Type A, Type C |
| Batteries inside          | Yes                    |
| Battery type              | LI-PO                  |
| Charging socket/connector | USB-C                  |

## Ecodesign and Energy Labelling

This product contains a light source of energy efficiency class F

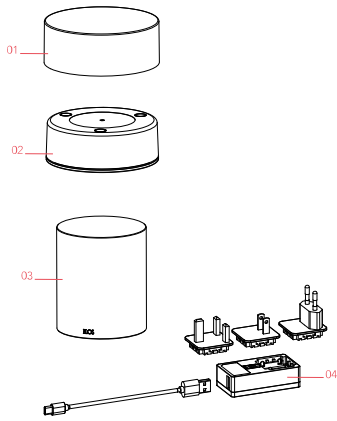


Replaceable (LED only)  
light source by a  
professional



Replaceable control  
gear by an end-user

## Spare Parts



- |     |   |           |
|-----|---|-----------|
| 03. | Crystal clear base                          | RF29124   |
| 04. | Power charger with electrical cable & plugs | RF1035109 |

**DOWNLOAD**



RF29124

Crystal clear base



RF1035109

Power charger with electrical  
cable & plugs