

FLOS

F3693015 Satin Copper

Last Order Clear

Designed by Michael Anastassiades, 2020

2.5W - 90lm - 2700K - CRI> 90



Flos Last Order table lamp was designed by M. Anastassiades. It is a rechargeable table lamp that diffuses light through a transparent solid crystal base whose shape makes reference to architectural typology of the ancient column. The top cover comes in a combination of different metal and colour finishes: stainless steel, brass, satin copper or green opal coating .

Are you a professional and your project needs consulting and support?

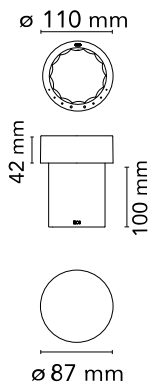
[BOOK AN APPOINTMENT](#)

Main specifications

| | |
|-------------------|---------------------|
| EAN | 8059607030479 |
| Mounting | Table |
| Environments | Indoor dry location |
| Light Source Type | LED |
| LED type | LED Module |
| Power (W) | 2.5 |
| System flux (lm) | 90 |

Physical

| | |
|---------------------|--------------|
| Colour | Satin Copper |
| Net weight (kg) | 2.14 |
| Package volume (m3) | 0.01 |
| IP internal | 55 |



Download

[Mounting instructions](#) PDF

[Spare Parts](#) PDF

Photometric Files

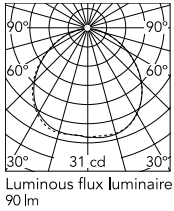
[LDT / IES](#) LDT

Technical Drawings

[3D](#) ZIP



Schematic light drawing



Photometric

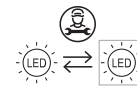
| | |
|--------------------|----------------|
| Lighting type | Direct |
| Light distribution | Roto symmetric |
| CCT (K) | 2700 |
| CRI> | 90 |

Electrical

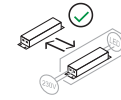
| | |
|---------------------------|------------------------|
| Insulation class | III |
| Frequency (Hz) | 50/60 |
| Main voltage (Vac) | 100-240/5 |
| Driver | Remote included |
| Dimmable | Yes |
| Dimming type | Electronic 5V |
| Dimming interface | Dimmer Integrated |
| Plug type | Type G, Type A, Type C |
| Batteries inside | Yes |
| Battery type | LI-PO |
| Charging socket/connector | USB-C |

Ecodesign and Energy Labelling

This product contains a light source of energy efficiency class F

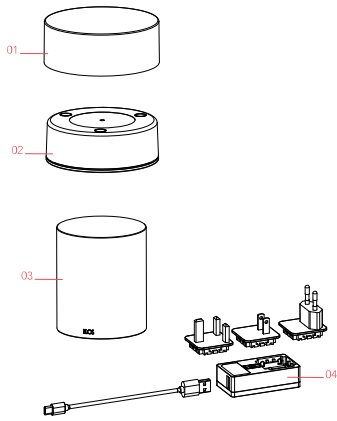


Replaceable (LED only) light source by a professional



Replaceable control gear by an end-user

Spare Parts



- | | | |
|-----|---|-----------|
| 03. | Crystal clear base | RF29124 |
| 04. | Power charger with electrical cable & plugs | RF1035109 |

DOWNLOAD



RF29124

Crystal clear base



RF1035109

Power charger with electrical
cable & plugs