

# FLOS

F1584006 Grey

## Clessidra 40°+40°

Designed by Antonio Citterio, 2011

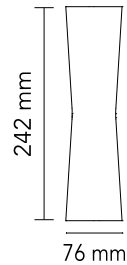


10W - 601lm - 3000K

Diffused direct/indirect-light wall lighting device. Body obtained by means of aluminium pressofusion and diffusers in PMMA. Aluminium wall attachment with cover in PA66. Available in white-painted or chrome-plated for indoor version and dark brown-painted or dark gray-painted for outdoor version. High-efficiency lenses specially designed for the application, non-replaceable. Wide range (100-240Volt) power pack integrated in the body. Level IP55

Are you a professional and your project needs consulting and support?

BOOK AN APPOINTMENT



### Main specifications

|                   |                             |
|-------------------|-----------------------------|
| EAN               | 8059607001530               |
| Mounting          | Wall                        |
| Environments      | Indoor Outdoor wet location |
| Light Source Type | LED                         |
| LED type          | LED array                   |
| Power (W)         | 10                          |
| System flux (lm)  | 601                         |

### Physical

|                 |      |
|-----------------|------|
| Colour          | Grey |
| Net weight (kg) | 1.1  |
| IP internal     | 55   |

### Download

Mounting instructions [↓ PDF](#)  
Spare Parts [↓ PDF](#)

### Photometric Files

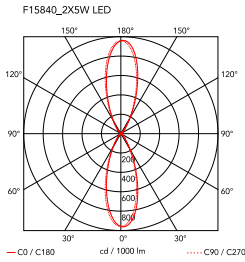
LDT / IES [↓ ZIP](#)  
LDT / IES [↓ ZIP](#)

### Technical Drawings

2D [↓ ZIP](#)  
2D [↓ ZIP](#)  
3D [↓ ZIP](#)  
3D [↓ ZIP](#)



## Schematic light drawing



## Photometric

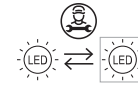
|                    |                  |
|--------------------|------------------|
| Lighting type      | Indirect, Direct |
| Light distribution | Symmetric        |
| CCT (K)            | 3000             |

## Electrical

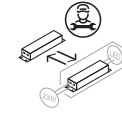
|                    |              |
|--------------------|--------------|
| Insulation class   | I            |
| Frequency (Hz)     | 50/60        |
| Main voltage (Vac) | 100-240      |
| Driver             | Integrated   |
| Dimmable           | No           |
| Dimming type       | Non Dimmable |
| Dimming interface  | Not Dimmable |
| Batteries inside   | No           |
| Charging min time  | No           |

## Ecodesign and Energy Labelling

This product contains a light source of energy efficiency class E

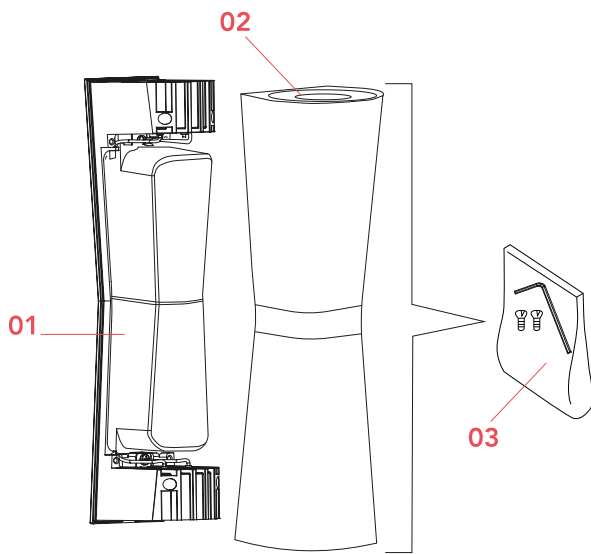


Replaceable (LED only) light source by a professional



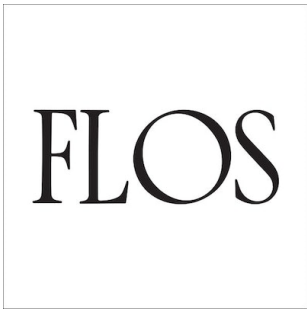
Replaceable control gear by a professional

## Spare Parts



- |     |  |           |
|-----|--|-----------|
| 01. | Wall attachment and internal lamp body 40°+40°       | F1582030  |
| 02. | Grey external clessidra lamp body                    | F1580006  |
| 03. | Screws and tool kit for clessidra external lamp body | RF1580100 |

**DOWNLOAD**



F1582030

Wall attachment and internal lamp  
body 40°+40°



F1580006

Grey external clessidra lamp body



RF1580100

Screws and tool kit for clessidra  
external lamp body