

# FLOS

F3190009 White

## Button HL

Designed by Piero Lissoni, 2004

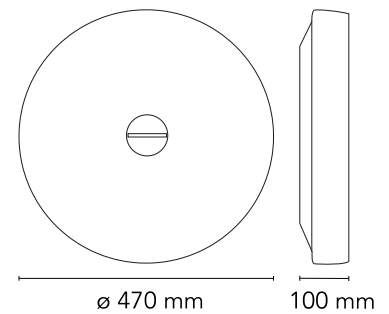


Halogen - 5 x 40W

Wall/ceiling fixture providing diffused lighting for indoor use. Hand-blown opal ply glass diffuser (transparent □ opal □ transparent) with acid finish. Sheared, deep-drawn steel sheet wall/ceiling attachment with white galvanised finish. Sheared, deep-drawn steel sheet reflector painted white for high temperatures. Closing cover in injection molded tecnopolymer with chrome finish. Satin-finish incandescent line voltage halogen lamps.

Are you a professional and your project needs consulting and support?

BOOK AN APPOINTMENT



### Main specifications

EAN	8059607018866
Mounting	Ceiling and wall surface
Environments	Indoor dry location
Light Source Type	Bulb
Lamp category	Halogen
Lamp holders	G9
Iicos	HSGS
Number of heads	5
Power (W)	40

### Physical

Colour	White
Net weight (kg)	7
Package height (mm)	175
Package width (mm)	555
Package length (mm)	555
Package volume (m3)	0.05
IP internal	40

### Download

Mounting instructions [↓ PDF](#)

Spare Parts [↓ PDF](#)

### Photometric Files

LDT / IES [↓ ZIP](#)

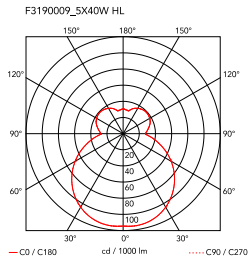
### Technical Drawings

2D [↓ ZIP](#)

3D [↓ ZIP](#)



# Schematic light drawing



## Photometric

Lighting type	Total
Light distribution	Roto symmetric

## Electrical

Insulation class	I
Frequency (Hz)	50/60
Main voltage (Vac)	220-250
LED voltage Vf (Vdc)	null
Dimmable	Yes
Dimming interface	Remote Dimmable (Dimmer Not Included)
Batteries inside	No
Charging min time	No

## Bulbs



NOT INCLUDED

RF28425

LED BiPin Lamp G9 3W 2700K  
Non Dimmable

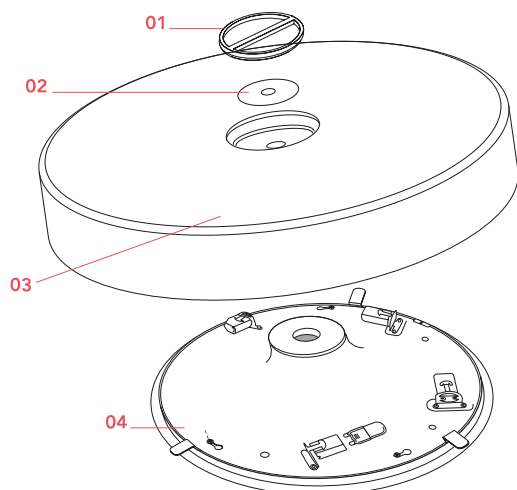


NOT INCLUDED

RF26520

LED Lamp 2W 240lm G9 220-  
240 2700K T13 Non Dimmable

## Spare Parts



- |     |   |           |
|-----|---|-----------|
| 01. | Chrome locking cap assembly   | RF3190100 |
| 03. | non c'e - BUTTON HL (PER VECCHIA VERSIONE NON COMPATIBILE CON QUELLE ATTUALI) | RF3190200 |
| 03. | Opal glass diffuser for new version   | RF3190300 |

**DOWNLOAD**



RF3190100

Chrome locking cap assembly



RF3190200

non c'e - BUTTON HL (PER  
VECCHIA VERSIONE NON  
COMPATIBILE CON QUELLE  
ATTUALI)



RF3190300

Opal glass diffuser for new  
version