

FLOS

F1042057 Chrome

Bon Jour Versailles Small

Designed by Philippe Starck, 2017

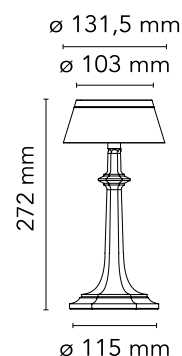


3.5W - 208lm - 2700K - CRI> 90

Table lamp providing diffuse light. Injection molded polymethylmethacrylate clear transparent base and diffuser. Electroplated/painted top cover in ABS. Edge Lighting technology light source. Power cord length 200 cm, with dimmer switch that provide ON-OFF functions and 10-100 % light adjustment. Plug-in power supply with interchangeable plugs.

Are you a professional and your project needs consulting and support?

BOOK AN APPOINTMENT



Main specifications

EAN	8059607014714
Mounting	Table
Environments	Indoor dry location
Light Source Type	LED
LED type	LED Module
Power (W)	3.5
System flux (lm)	208

Physical

Colour	Chrome
Cord length (mm)	2150
Net weight (kg)	0.5
Package height (mm)	175
Package width (mm)	270
Package length (mm)	400
Package volume (m3)	0.02
IP internal	20

Download

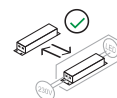
Mounting instructions	↓ PDF
Mounting instructions	↓ PDF
Spare Parts	↓ PDF

Ecodesign and Energy Labelling

This product contains a light source of energy efficiency class F



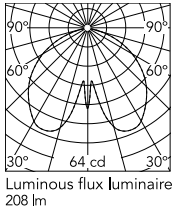
Replaceable (LED only) light source by a professional



Replaceable control gear by an end-user



Schematic light drawing



Photometric

Lighting type	Direct
Light distribution	Roto symmetric
CCT (K)	2700
CRI>	90

Electrical

Insulation class	III
Frequency (Hz)	50/60
Main voltage (Vac)	100-240/24
LED voltage Vf (Vdc)	null
Driver	Remote included
Dimmable	Yes
Dimming type	Electronic 24V
Dimming interface	Dimmer Integrated
Plug type	Type G, Type A, Type C
Batteries inside	No
Charging min time	No

Accessories & Power Supply



OPTIONAL

F1036000

Bon Jour Unplugged Crown



OPTIONAL

F1036007

Bon Jour Unplugged Crown



OPTIONAL

F1036019

Bon Jour Unplugged Crown



OPTIONAL

F1036030

Bon Jour Unplugged Crown



OPTIONAL

F1036035

Bon Jour Unplugged Crown



OPTIONAL

F1036070

Bon Jour Unplugged Crown

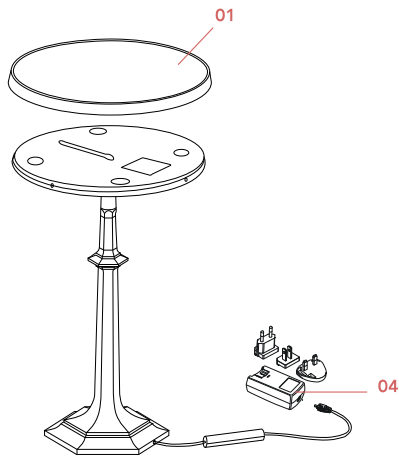


OPTIONAL

F1036088

Bon Jour Unplugged Crown

Spare Parts



- | | | |
|-----|--------------------------------------|-----------|
| 01. | Top cover chrome assembly | RF25460 |
| 04. | White plug assembly kit & 24V driver | RF3320200 |

DOWNLOAD



RF25460

Top cover chrome assembly



RF3320200

White plug assembly kit & 24V driver