

FLOS

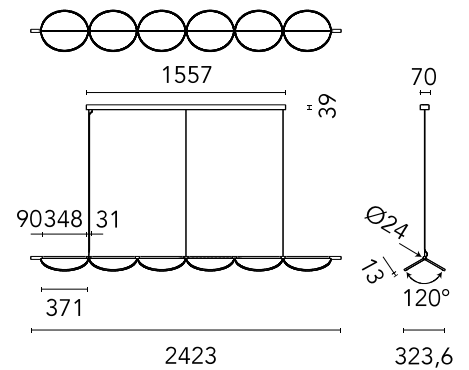
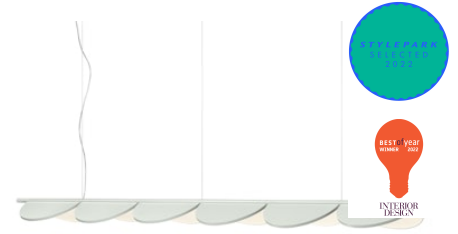
F0423009 Off-white

Almendra Linear Suspension 6 NEW

Designed by Patricia Urquiola, 2022

90W - 3510lm - 2700K - CRI > 95

Suspension lamp with diffused light emission available in linear and organic compositions. Tubular structure made of aluminium and CNC aluminium terminals with matte or metallized finish. Edge Lighting technology integrated. Light units can be turned by steps of 60° within the structure in order to change the direction of the light emitted. Metal rosette with matte white finish. The integrated electronics in the ceiling rose allow the use of different dimming systems: 1-10V, DALI, push-dim or potentiometer. Useful length of the cable 3 mt. The product has been designed according to the ISCC standards and it is assembled with total absence of glued components so that it can be completely separated for future recyclability.



Are you a professional and your project needs consulting and support?

[BOOK AN APPOINTMENT](#)

Main specifications

| | |
|-------------------|---------------------|
| EAN | 8059607048436 |
| Mounting | Suspension |
| Environments | Indoor dry location |
| Light Source Type | LED |
| LED type | Edge Lighting |
| Power (W) | 90 |
| System flux (lm) | 3510 |

Physical

| | |
|---------------------|-----------|
| Colour | Off-white |
| Length (mm) | 2423 |
| Cord length (mm) | 2300 |
| Net weight (kg) | 15.58 |
| Package volume (m3) | 0.31 |
| IP internal | 20 |

Download

[Mounting instructions](#) PDF

Photometric Files

[LDT / IES](#) LDT

Technical Drawings

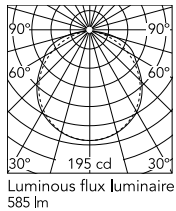
[2D](#) ZIP

[3D](#) ZIP

[Bim](#) ZIP



Schematic light drawing



Photometric

| | |
|--------------------|-----------|
| Lighting type | Direct |
| Light distribution | Symmetric |
| CCT (K) | 2700 |
| CRI> | 95 |

Electrical

| | |
|----------------------|---|
| Insulation class | I |
| Frequency (Hz) | 50/60 |
| Main voltage (Vac) | 220-240 |
| LED voltage Vf (Vdc) | null |
| Driver | Integrated |
| Dimmable | Yes |
| Dimming type | Dimmable 0-10V, Dimmable Push, Dimmable 1-10V, Dimmable DALI 1 |
| Dimming interface | Remote Dimmable (Dimmer Not Included) |
| Batteries inside | No |

Ecodesign and Energy Labelling

This product contains a light source of energy efficiency class E

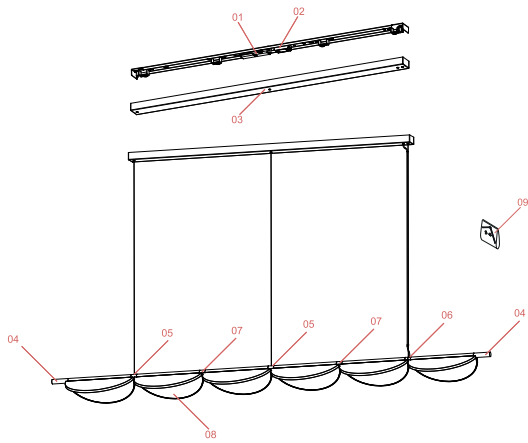


Non-replaceable light source



Replaceable control gear by a professional

Spare Parts



- | | | |
|-----|-------------------------------|-----------|
| 02. | Led dimmer kit | RF0410300 |
| 09. | Kit with screws and allen key | RF3160100 |



RF0410300

Led dimmer kit



RF3160100

Kit with screws and allen key