

FLOS

F6607046 Bronze

Taccia (PMMA)

Designed by Achille and Pier Giacomo Castiglioni, 1962

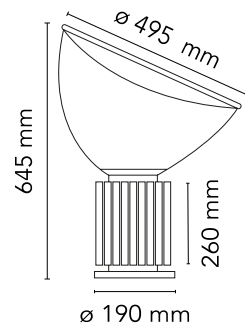
28W - 2700K



Table lamp providing indirect and reflected light. Reflector in painted aluminium, gloss white on the outside and matt white on the inside. Directionable diffuser in transparent PMMA. Body in matt black or naturally anodized extruded aluminium. Base in nickel-plated metal. Electric cable of useful length 220 cm, with dimmer switch for ON/OFF and adjustment of the light flow between 10-100%. Plug-in power supply with interchangeable plugs.

Are you a professional and your project needs consulting and support?

BOOK AN APPOINTMENT



Main specifications

EAN	8059607006825
Mounting	Table floor
Environments	Indoor dry location
Light Source Type	LED
LED type	LED array
Power (W)	28

Physical

Colour	Bronze
Cord length (mm)	2200
Net weight (kg)	7.6
Package volume (m3)	0.18
IP internal	20

Download

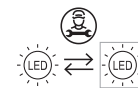
Mounting instructions	PDF
Mounting instructions	PDF
Spare Parts	PDF



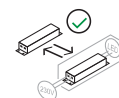
IP
20

Ecodesign and Energy Labelling

This product contains a light source of energy efficiency class D



Replaceable (LED only) light source by a professional



Replaceable control gear by an end-user

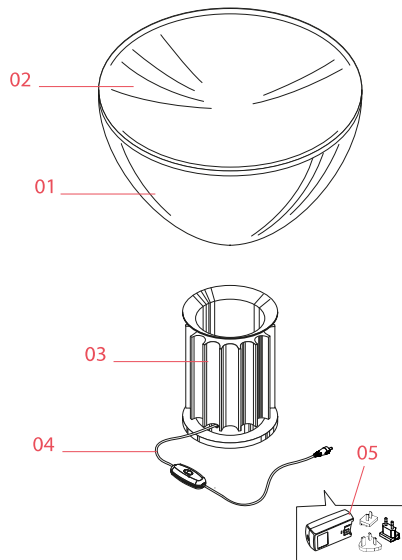
Photometric

Lighting type	Indirect
Light distribution	Asymmetric
CCT (K)	2700

Electrical

Insulation class	III
Frequency (Hz)	50/60
Main voltage (Vac)	100-240/48
LED voltage Vf (Vdc)	null
Driver	Remote included
Dimmable	Yes
Dimming type	Electronic 48V
Dimming interface	Dimmer Integrated
Plug type	Type G, Type A, Type C
Batteries inside	No
Charging min time	No

Spare Parts



- | | | |
|-----|--|-----------|
| 01. | Taccia LED transparent diffuser & reflector (PMMA) | F6609000 |
| 02. | White reflector | RF00780 |
| 03. | Anodized bronze base | F6608046 |
| 04. | Jack plug with cable and push dimmer | RF6608100 |
| 05. | Black plug assembly kit & 48V driver | RF3320400 |

DOWNLOAD



F6609000
Taccia LED transparent diffuser &
reflector (PMMA)



RF00780
White reflector



F6608046
Anodized bronze base



RF6608100
Jack plug with cable and push
dimmer



RF3320400
Black plug assembly kit & 48V
driver