

FLOS

■ F3159030 Black

IC Lights C/W2 Double

Designed by Michael Anastassiades, 2020



Halogen - 2 x 205W

Wall-ceiling lamp providing diffused light. Frame in brass, brushed and transparent varnished or chrome steel. Blown glass opal diffuser.

Are you a professional and your project needs consulting and support?

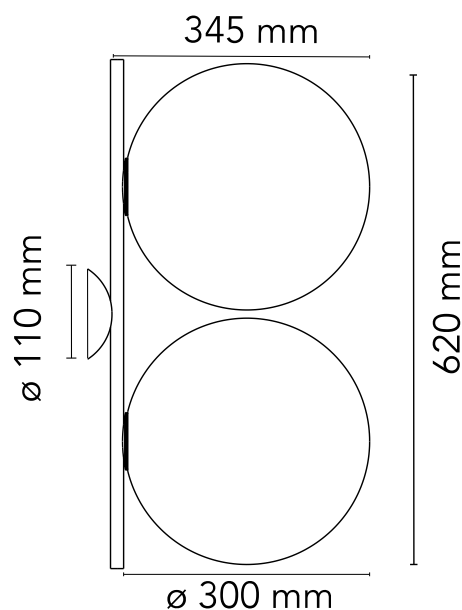
[BOOK AN APPOINTMENT](#)

Main specifications

EAN	8059607031759
Mounting	Ceiling and wall surface
Environments	Indoor dry location
Light Source Type	Bulb
Lamp category	Halogen
Lamp holders	E27
Ilcos	HSGS
Number of heads	2
Power (W)	205

Physical

Colour	Black
Net weight (kg)	4.25
Package volume (m3)	0.13
IP internal	20



Download

[Mounting instructions](#) PDF

[Spare Parts](#) PDF

Photometric Files

[LDT / IES](#) LDT

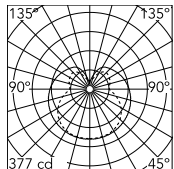
Technical Drawings

[Bim](#) ZIP



IK	IP
05	20

Schematic light drawing



Luminous flux Luminaire
4000 lm

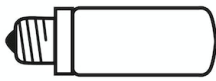
Photometric

Lighting type	Total
Light distribution	Symmetric

Electrical

Insulation class	I
Frequency (Hz)	50/60
Main voltage (Vac)	220-250
Dimmable	Yes
Dimming interface	Remote Dimmable (Dimmer Not Included)
Batteries inside	No

Bulbs



NOT INCLUDED

RF26258

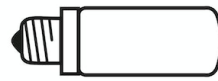
LED Lamp 18W E27 3000K T38
Dimmable



NOT INCLUDED

RF32288

LED Lamp E27 15W 2700K T38



NOT INCLUDED

RF26259

LED Lamp 18W E27 2700K
Dimmable

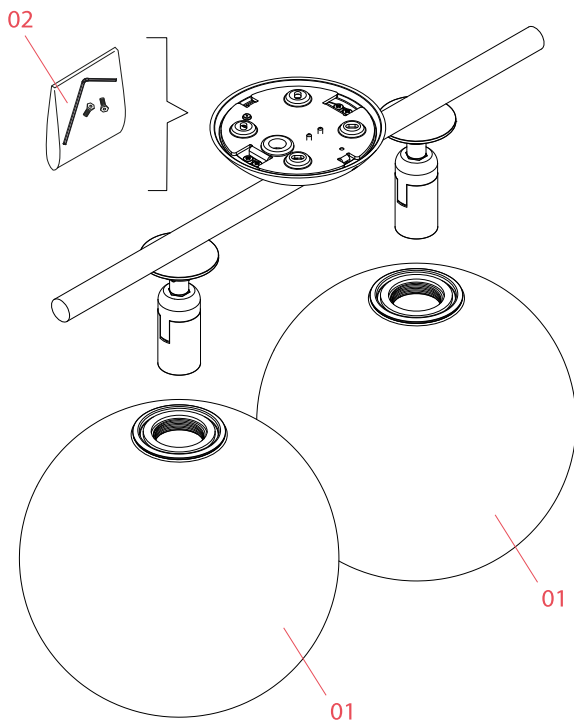


NOT INCLUDED

RF32289

LED Lamp E27 15W 3000K T38

Spare Parts



01. IC Lights 2 diffuser for black version F3137030A

02. Kit with screws and allen key RF3160100

DOWNLOAD



F3137030A

IC Lights 2 diffuser for black
version



RF3160100

Kit with screws and allen key