

# FLOS

F3302009 White

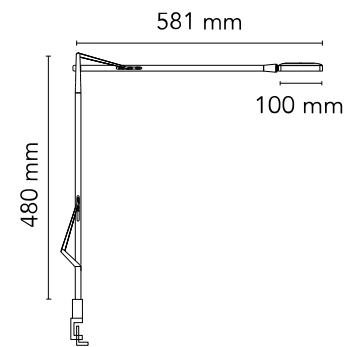
## Kelvin Led Wall support

Designed by Antonio Citterio/assistant Toan Nguyen, 2009

8W - 285lm - 3000K



Adjustable wall lamp providing direct lighting, with double pantograph arm and adjustable head. Fused aluminum alloy body. Die-cast aluminum outer head, with injection-molded methacrylate diffuser. Painted CNC machined, extruded aluminum WALL FITTING. Extruded aluminum alloy square tube (12x12mm) structure, machined mechanically, so that it houses a stainless steel load-compensation spring and injection-molded acetal resin sliding blocks. 3 mm diameter wire outer tie rods. Available in white, anthracite, black or chrome finishes. The ON/OFF switch is electronic with optical mechanism located in the head. Two possibilities to choose: - PERSONAL MODE (orange switch) Dimm the light intensity you like. - GREEN MODE (green switch) Now Kelvin LED becomes Green, saving even more energy thanks to his automatic compensation of the ambience light.



Are you a professional and your project needs consulting and support?

[BOOK AN APPOINTMENT](#)

### Main specifications

EAN	8059607003732
Mounting	Wall arm
Environments	Indoor dry location
Light Source Type	LED
LED type	LED Module
Power (W)	8
System flux (lm)	285

### Physical

Colour	White
Length (mm)	100
Cord length (mm)	1800
Net weight (kg)	0.67
Package volume (m3)	0.02
IP internal	20

### Download

<a href="#">Mounting instructions</a>	↓ PDF
<a href="#">Mounting instructions</a>	↓ PDF
<a href="#">Mounting instructions</a>	↓ PDF
<a href="#">Spare Parts</a>	↓ PDF

### Photometric Files

<a href="#">LDT / IES</a>	↓ LDT
---------------------------	-------

### Technical Drawings

<a href="#">2D</a>	↓ ZIP
<a href="#">3D</a>	↓ ZIP



## Schematic light drawing



## Photometric

Lighting type	Direct
Light distribution	Symmetric
CCT (K)	3000

## Electrical

Insulation class	III
Frequency (Hz)	50/60
Main voltage (Vac)	100-240/24
LED voltage Vf (Vdc)	null
Driver	Remote included
Dimmable	Yes
Dimming type	Electronic 24V
Dimming interface	Dimmer Integrated
Plug type	Type G, Type A, Type C
Batteries inside	No
Charging min time	No

## Ecodesign and Energy Labelling

This product contains a light source of energy efficiency class F



Replaceable (LED only) light source by a professional



Replaceable control gear by an end-user

## Spare Parts



- Kelvin led gm white body F3312009A
- Grey insert for lamp base RF18763
- White plug assembly kit & 24V driver RF3320200

**DOWNLOAD**

# Thumbnail

F3312009A

Kelvin led gm white body



RF18763

Grey insert for lamp base



RF3320200

White plug assembly kit & 24V driver