

FLOS

F6107000 Glass

Romeo Moon Table 1

Designed by Philippe Starck, 1998

Halogen - 150W



Table/desk lamp providing diffused light. Acid-etched pressed borosilicate glass internal diffuser. Pressed clear glass shade. Gray painted steel stem and die-cast aluminum base and yoke. Injection-molded transparent polycarbonate diffuser support. On the cable there is the electronic dimmer which allows the regulation of light brightness.

Are you a professional and your project needs consulting and support?

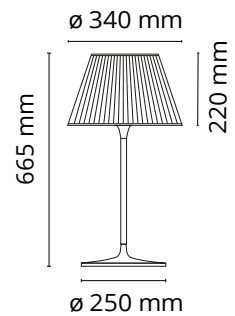
[BOOK AN APPOINTMENT](#)

Main specifications

EAN	8059607005415
Mounting	Table
Environments	Indoor dry location
Light Source Type	Bulb
Lamp category	Halogen
Lamp holders	E27
Ilcos	HSGS
Number of heads	1
Power (W)	150

Physical

Colour	Glass
Cord length (mm)	1800
Net weight (kg)	7.74
Package volume (m3)	0.16
IP internal	20



Download

[Mounting instructions](#) PDF

[Spare Parts](#) PDF

Photometric Files

[LDT / IES](#) LDT

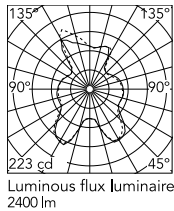
Technical Drawings

[2D](#) ZIP

[3D](#) ZIP



Schematic light drawing



Photometric

Lighting type	Total
Light distribution	Symmetric

Electrical

Insulation class	II
Frequency (Hz)	50/60
Main voltage (Vac)	220-240
LED voltage Vf (Vdc)	null
Dimmable	Yes
Dimming interface	Dimmer Integrated
Plug type	Type C
Batteries inside	No
Charging min time	No

Bulbs



NOT INCLUDED

RF32563

LED Lamp 11.5W E27 220-240V
2700K A70

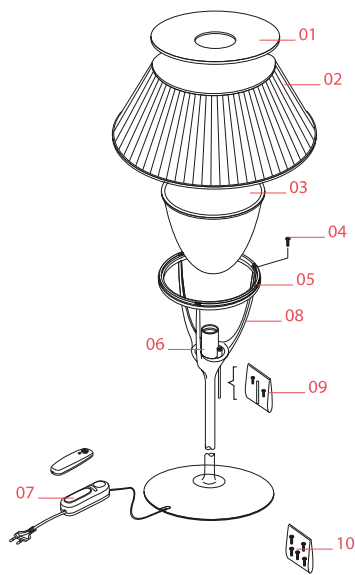


NOT INCLUDED

RF32564

LED Lamp 11.5W E27 220-240V
3000K A70

Spare Parts



- | | | |
|-----|---------------------------------------|-----------|
| 01. | T1 cover ring | RF03206 |
| 02. | Romeo Moon Suspension/Table | RF6110400 |
| | 1 lampshade | |
| 03. | Acid-etched diffuser | RF03201 |
| 04. | Kit of screws/bolts for Romeo | RF6100200 |
| 05. | S1/t1 support ring | RF05369 |
| 06. | E27 Lamp holder | RF04169 |
| 08. | T1 grey support bracket | RF02813 |
| 09. | Sensor contact rod | RF6110200 |
| 10. | Kit of transparent pads for lamp base | RF6138100 |

DOWNLOAD



RF03206

T1 cover ring



RF6110400

Romeo Moon Suspension/Table 1
lampshade



RF03201

Acid-etched diffuser



RF6100200

Kit of screws/bolts for Romeo



RF05369

S1/t1 support ring



RF04169

E27 Lamp holder



RF02813

T1 grey support bracket



RF6110200

Sensor contact rod



RF6138100

Kit of transparent pads for lamp
base